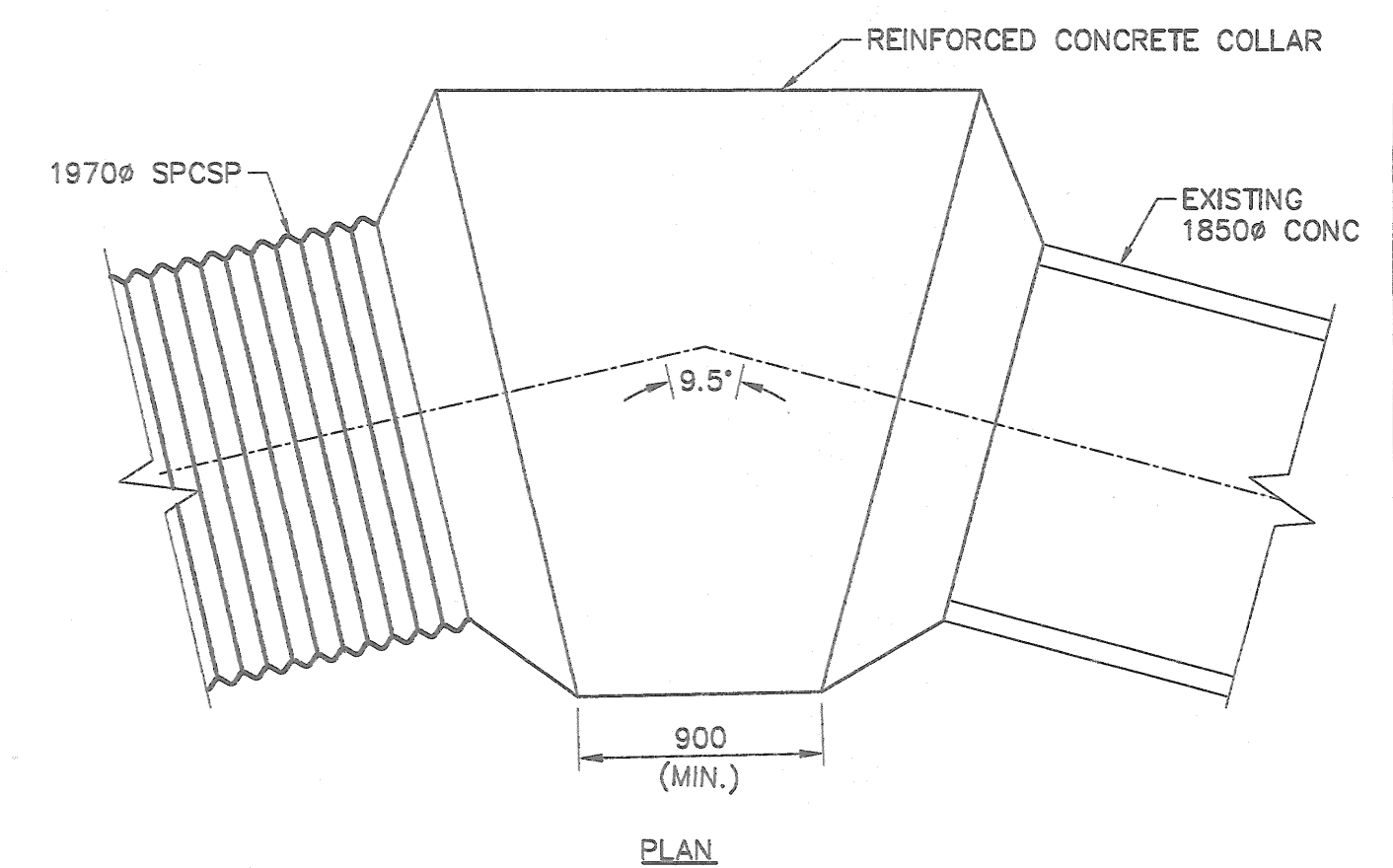
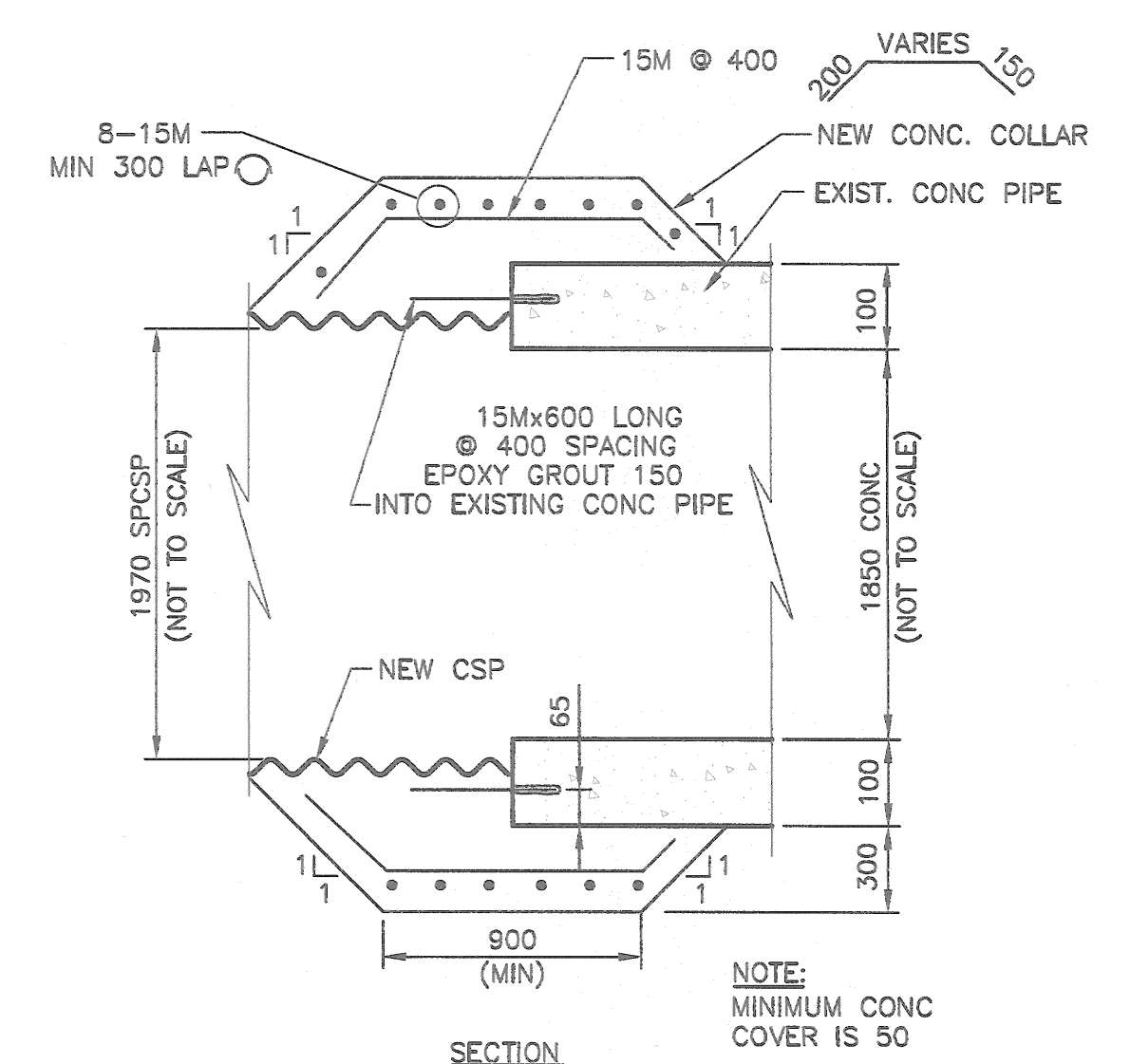


END SECTION DETAIL
(END CONDITION 2)
SCALE: N.T.S.



PLAN



SECTION

CONCRETE COLLAR DETAIL
SCALE: N.T.S.

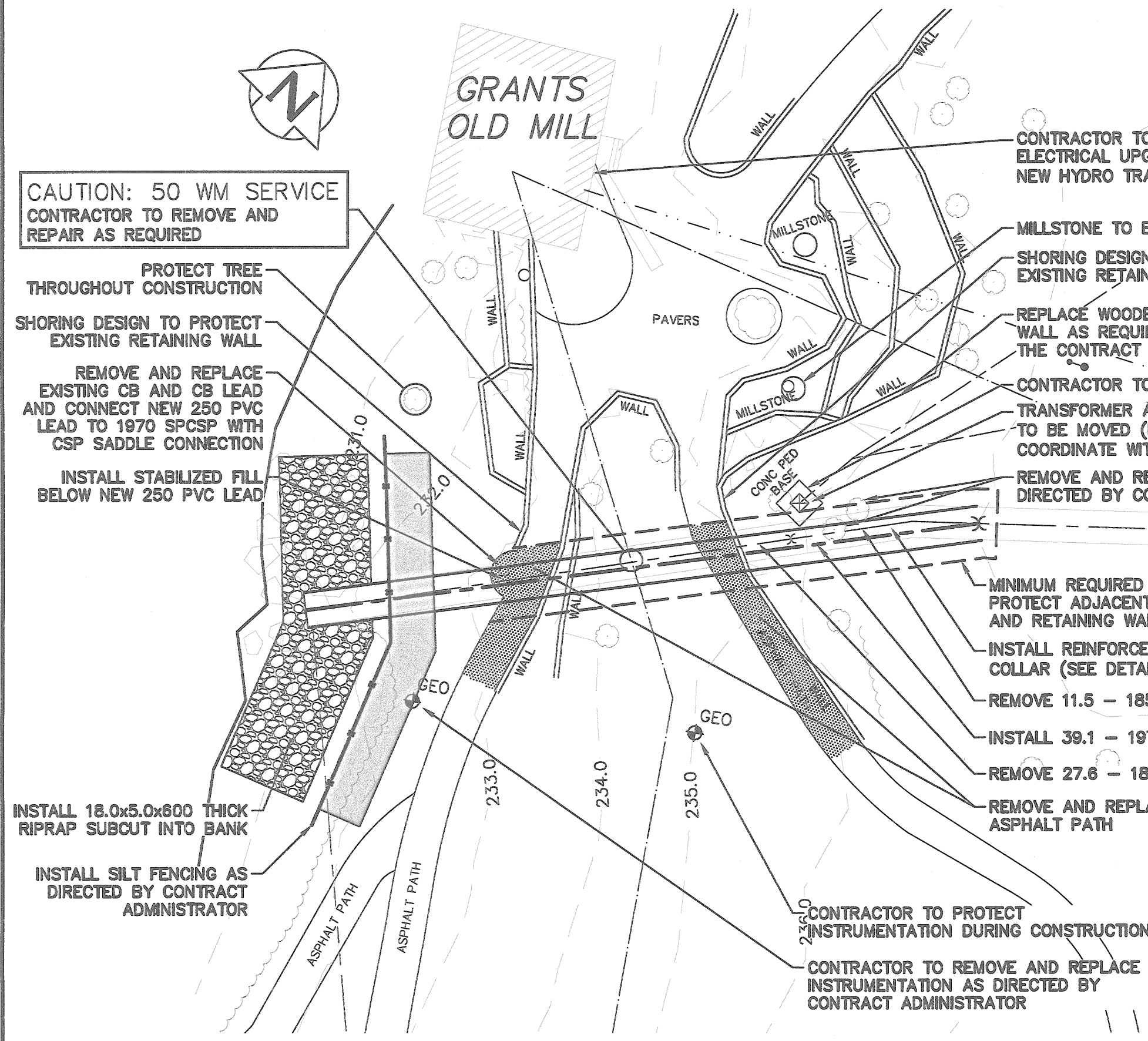
NOTE: CHAINAGES SHOWN ARE
ALONG ϕ OF 1850 CONC LDS

FOR INDEX PAGE
SEE DWG LD-9566

FOR GEOTECHNICAL WORKS
SEE DWG LD-9568

NOTES:

1. ALL EXCAVATED MATERIAL WITHIN 76.2 (250ft) OF THE REGULATED SUMMER RIVER LEVEL (RSRL) MUST BE REMOVED FROM SITE (NO STOCKPILING).
2. CONSTRUCT CLAY COFFERDAM AT CREEK AS REQUIRED (SEE DWG LD-9569).
3. REMOVE AND INSTALL NEW TREES AS DIRECTED BY THE CONTRACT ADMINISTRATOR.
4. CONTRACTOR TO PROVIDE AND INSTALL PROPER WARNING SIGNS ALONG PEDESTRIAN PATHWAYS CONCERNING WORK SITE.
5. THERE HAS BEEN ON-GOING COORDINATION WITH MANITOBA HYDRO TO RELOCATE THE EXISTING TRANSFORMER. CONTRACTOR TO COORDINATE WITH MANITOBA HYDRO AS REQUIRED TO MEET CONTRACTOR'S PROPOSED SCHEDULE. COSTS FOR TRANSFORMER RELOCATION AND NEW BURIED ELECTRICAL CONDUCTORS TO MILL AND WASHROOM COVERED DIRECTLY BY CITY OF WINNIPEG (OUTSIDE OF CONTRACT).
6. COORDINATION AND COSTS FOR ELECTRICAL SERVICE UPGRADES AND CONNECTION TO GRANTS OLD MILL BUILDING RESPONSIBILITY OF CONTRACTOR (COVERED UNDER ALLOWANCE).



CAUTION: 50 WM SERVICE
CONTRACTOR TO REMOVE AND
REPAIR AS REQUIRED

PROTECT TREE
THROUGHOUT CONSTRUCTION

SHORING DESIGN TO PROTECT
EXISTING RETAINING WALL

REMOVE AND REPLACE
EXISTING CB AND CB LEAD
AND CONNECT NEW 250 PVC
LEAD TO 1970 SPCSP WITH
CSP SADDLE CONNECTION

INSTALL STABILIZED FILL
BELOW NEW 250 PVC LEAD

INSTALL 18.0x5.0x600 THICK
RIPRAP SUBCUT INTO BANK

INSTALL SILT FENCING AS
DIRECTED BY CONTRACT
ADMINISTRATOR

CONTRACTOR TO COORDINATE FOR BUILDING
ELECTRICAL UPGRADES AND CONNECTION TO
NEW HYDRO TRANSFORMER (SEE NOTE 5)

MILLSTONE TO BE MOVED (BY OTHERS)

SHORING DESIGN TO PROTECT
EXISTING RETAINING WALL

REPLACE WOODEN BOLLARDS ALONG UPPER
WALL AS REQUIRED AND AS DIRECTED BY
THE CONTRACT ADMINISTRATOR

CONTRACTOR TO REMOVE CONCRETE PAD
TRANSFORMER AND ASSOCIATED BURIED CABLES
TO BE MOVED (BY OTHERS). CONTRACTOR TO
COORDINATE WITH MANITOBA HYDRO (SEE NOTE 5)

REMOVE AND REPLACE TREES AS
DIRECTED BY CONTRACT ADMINISTRATOR

MINIMUM REQUIRED SHORING TO
PROTECT ADJACENT PROPERTY
AND RETAINING WALLS

INSTALL REINFORCED CONCRETE
COLLAR (SEE DETAIL)

REMOVE 11.5 - 1850# CONC

INSTALL 39.1 - 1970# (3.0mm) SPCSP

REMOVE 27.6 - 1800# CMP

REMOVE AND REPLACE
ASPHALT PATH

CONTRACTOR TO PROTECT
INSTRUMENTATION DURING CONSTRUCTION

CONTRACTOR TO REMOVE AND REPLACE
INSTRUMENTATION AS DIRECTED BY
CONTRACT ADMINISTRATOR

CONTRACTOR TO COMPLETE INTERNAL
CONCRETE REPAIRS AS DIRECTED BY
CONTRACT ADMINISTRATOR

WARNING

IF POWER EQUIPMENT OR EXPLOSIVES
ARE TO BE USED FOR EXCAVATION ON
THIS PROJECT THE CONTRACTOR MUST:

- 1) NOTIFY THE GAS COMPANY OF THE PROPOSED LOCATION OF EXCAVATION.
- 2) TAKE PRECAUTION TO AVOID DAMAGE TO GAS COMPANY INSTALLATIONS.

SEE PROVINCIAL REGULATION 210/72 FOR DETAILS

LOCATION APPROVED
UNDERGROUND STRUCTURES

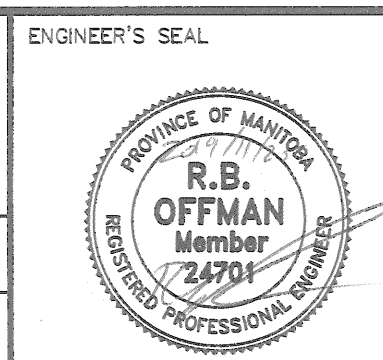
SUPV. U/G STRUCTURES COMMITTEE DATE

NOTE:
LOCATION OF UNDERGROUND STRUCTURES AS SHOWN ARE BASED ON THE BEST INFORMATION AVAILABLE BUT NO GUARANTEE IS GIVEN THAT ALL EXISTING UTILITIES ARE SHOWN OR THAT THE GIVEN LOCATIONS ARE EXACT. CONFIRMATION OF EXISTENCE AND EXACT LOCATION OF ALL SERVICES MUST BE OBTAINED FROM THE INDIVIDUAL UTILITIES BEFORE PROCEEDING WITH CONSTRUCTION.

B.M. ELEV.	NO.	REVISIONS	DATE	BY
	1	REISSUED FOR TENDER	2019 11 25	RBO
	0	ISSUED FOR TENDER	2019 11 15	RBO

DESIGNED BY		CHECKED BY	
NGV		RBO	
DRAWN BY		APPROVED BY	
GEL		RBO	
SCALE:		RELEASED FOR CONSTRUCTION	
HORIZONTAL 1:250		KZ	
VERTICAL 1:50			
DATE		DATE	
2019 11 26		2019 11 14	

ENGINEERS
GEOSCIENTISTS
MANITOBA
Certificate of Authorization
KGS Group
No. 245



THE CITY OF WINNIPEG
WATER AND WASTE DEPARTMENT
ENGINEERING DIVISION

LODGE AVENUE OUTFALL
RENEWAL AND REHABILITATION
LODGE AVENUE OUTFALL
PLAN AND PROFILE
S-MA20003886

SHEET 3 OF 7
CITY DRAWING NUMBER
LD-9567