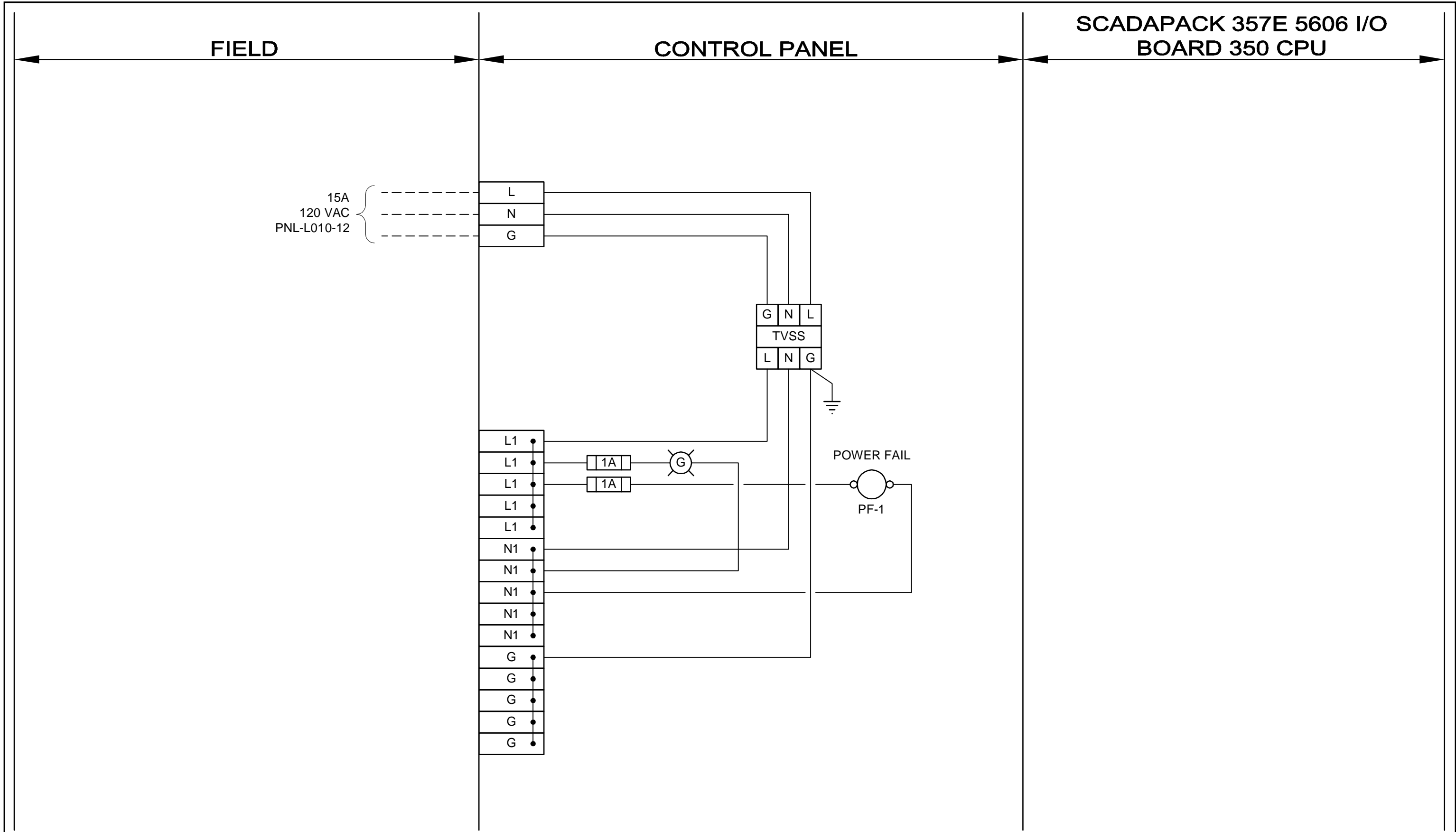


File Name: c:\project\working directory\active\40\call\0713845175009-13-chevrer-loops.dwg



								THE CITY OF WINNIPEG WATER AND WASTE DEPARTMENT ENGINEERING DIVISION		DESIGNED BY B.L.M.	CHECKED BY B.L.M.	2019 REHABILITATION OF PUBLIC WATER SERVICE OUTLET PAVEMENT WORKS, BUILDING REPAIRS, AND ELECTRICAL UPGRADES 120 VAC POWER LOOP DIAGRAM	SHEET 11 OF 20
										DRAWN BY S.C.K.	APPROVED BY		
NO.	REVISION	DATE	BY	DATE: 17/07/06 PROJECT No. 175009									
1	ISSUED FOR BIP OP 103-2019	04/15/19	B.L.M.										
0	ISSUED FOR 90% REVIEW	03/07/19	C.A.L.										