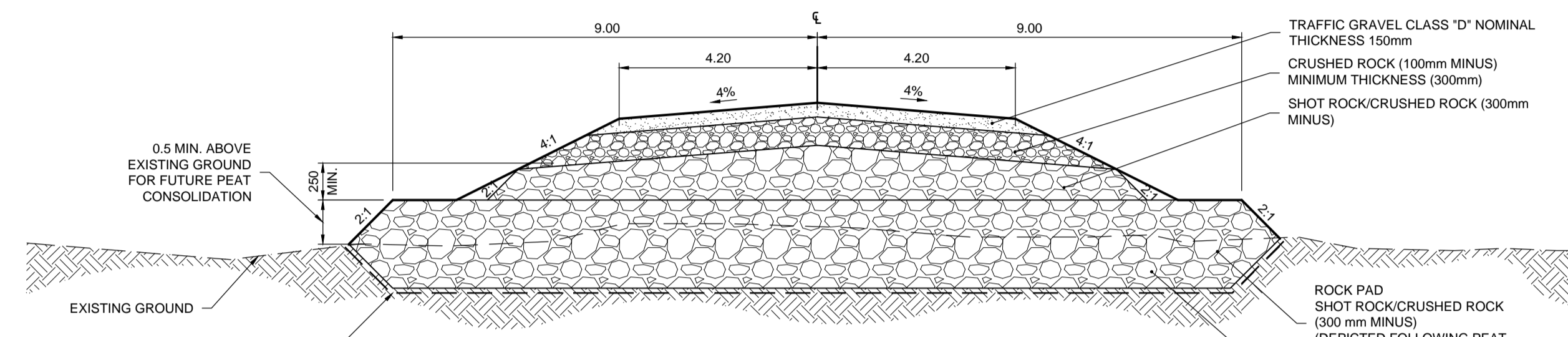
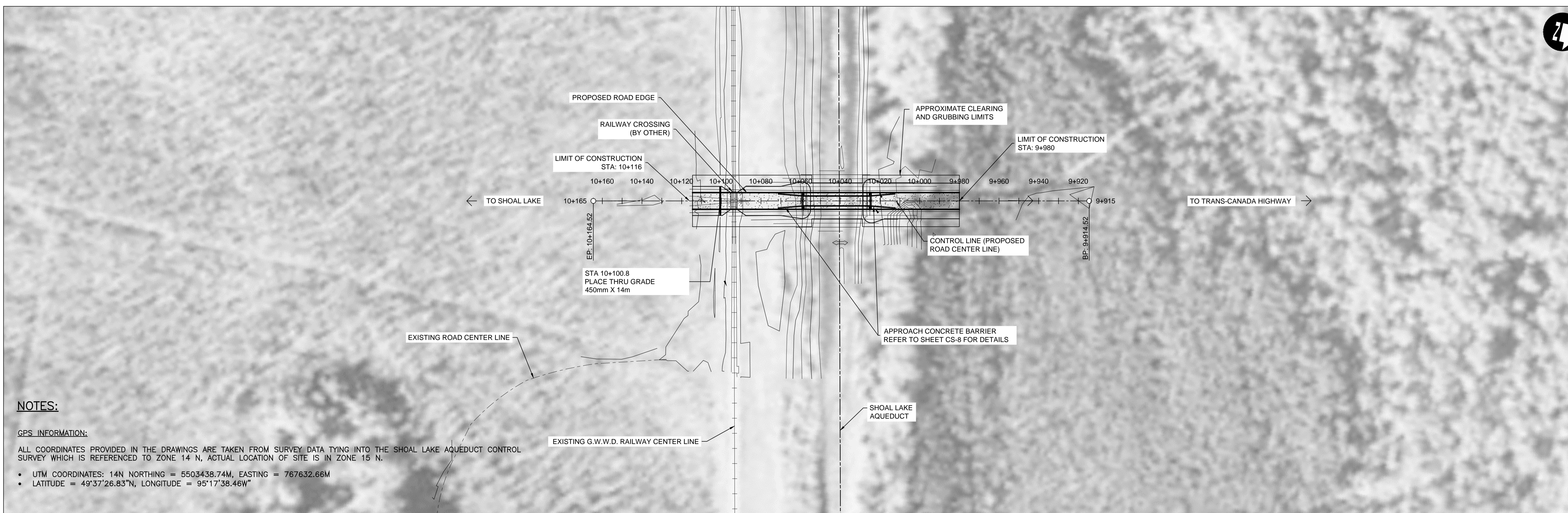
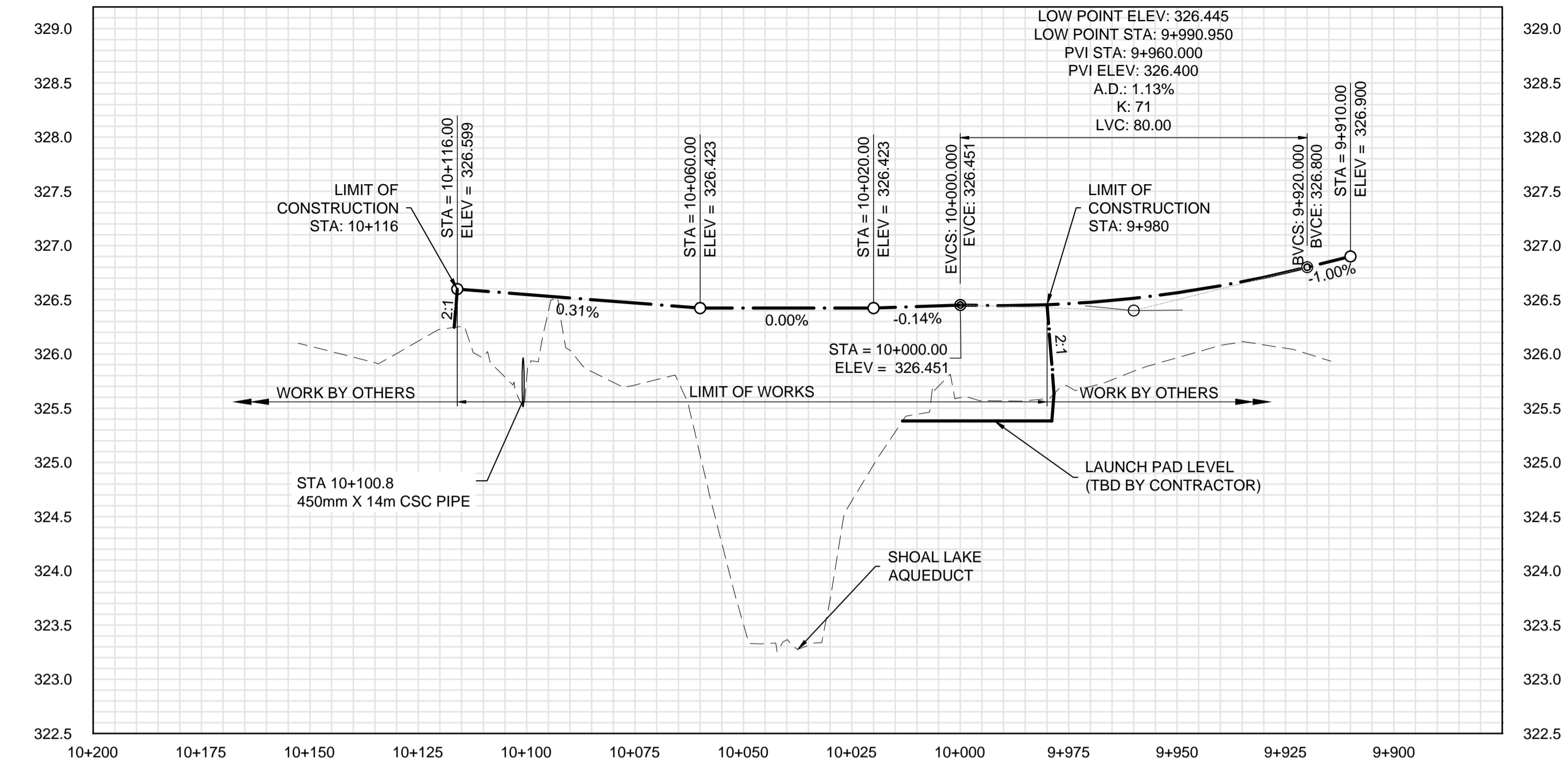


**A** TYPICAL SECTION SOUTH APPROACH ROADWAY  
SCALE H 1:100 V 1:50



**B** TYPICAL SECTION NORTH APPROACH ROADWAY  
SCALE H 1:100 V 1:50



**NOTES:**

**GPS INFORMATION:**  
ALL COORDINATES PROVIDED IN THE DRAWINGS ARE TAKEN FROM SURVEY DATA TYING INTO THE SHOAL LAKE AQUEDUCT CONTROL SURVEY WHICH IS REFERENCED TO ZONE 14 N, ACTUAL LOCATION OF SITE IS IN ZONE 15 N.

- UTM COORDINATES: 14N NORTHING = 5503438.74M, EASTING = 767632.66M
- LATITUDE = 49°37'26.83"N, LONGITUDE = 95°17'38.46"W

CONTROL LINE GEOMETRY			
CONTROL POINT	STATION	COORDINATES	
		NORTHING	EASTING
P.I.	9+980	5503499.261	767619.853
P.I.	10+116	5503366.207	767648.009

UTM ZONE 14N



B.M.	ELEV.	DATE	BY

DESIGNED BY	JAT	CHECKED BY	GCL
DRAWN BY	TJH	APPROVED BY	MBL
HOR. SCALE	1:1000	RELEASED FOR CONSTRUCTION	
VERTICAL	1:20		
DATE	2017.12.01	DATE	

ENGINEER'S SEAL  
  
 CONSULTANT PROJECT NUMBER  
**16-4481**

**THE CITY OF WINNIPEG**  
 WATER AND WASTE DEPARTMENT  
 Shoal Lake Aqueduct Crossing and Associated Roadworks  
 PLAN AND PROFILE

CITY DRAWING NUMBER	1-0701A-C0003-001
SHEET OF	13 OF 14
CONSULTANT DRAWING NUMBER	CT-01

G:\CAD\164481\Issued\Tender\164481-RPT-CT-SHOAL-LAKE-PLAN-PROFILE.dwg