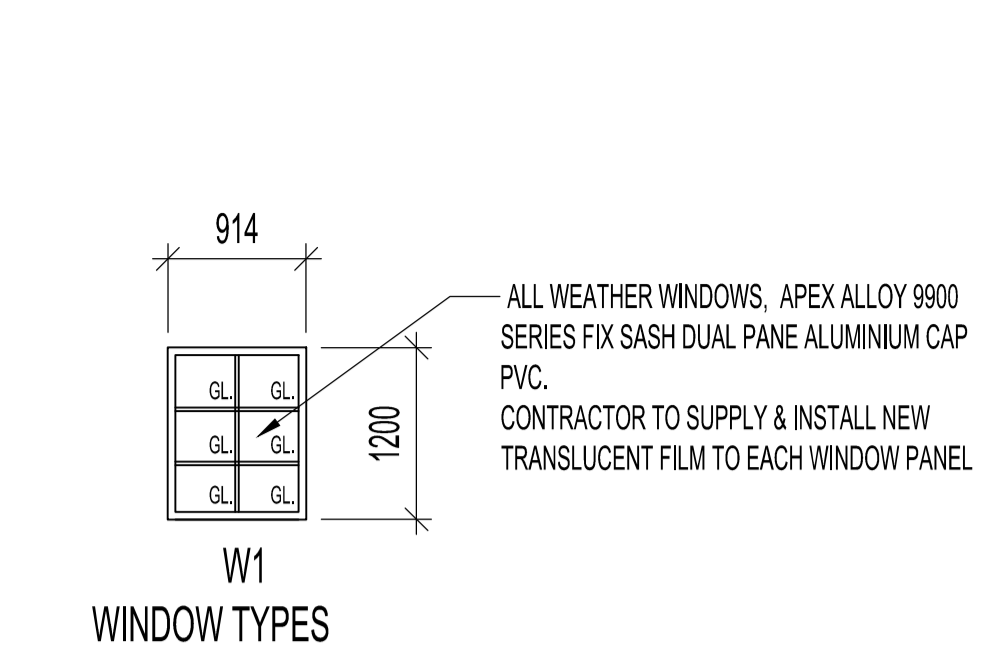
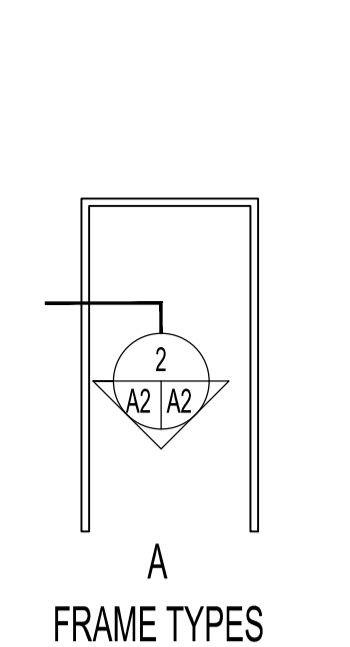
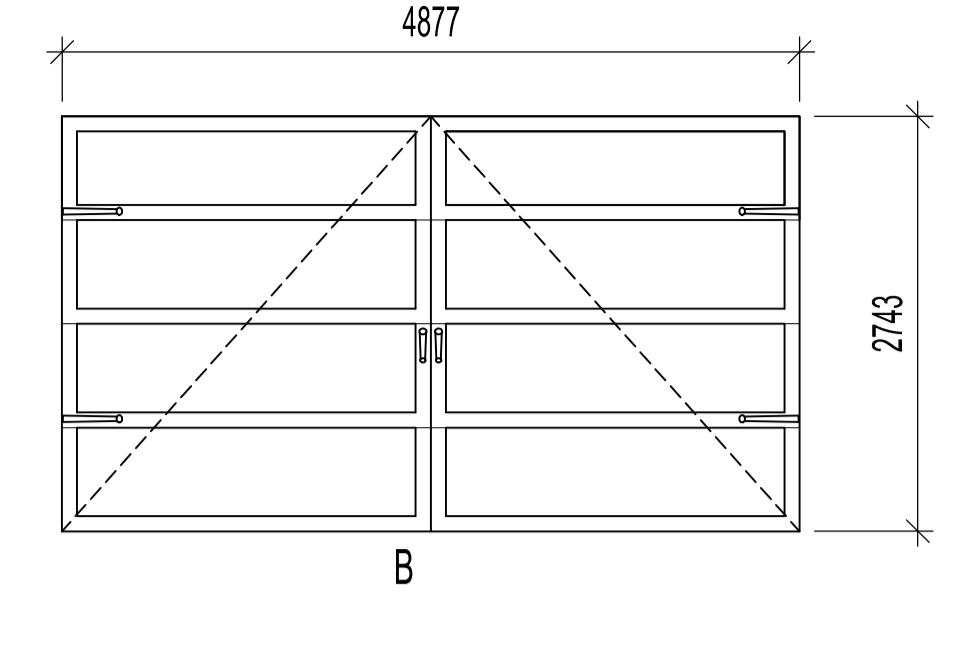
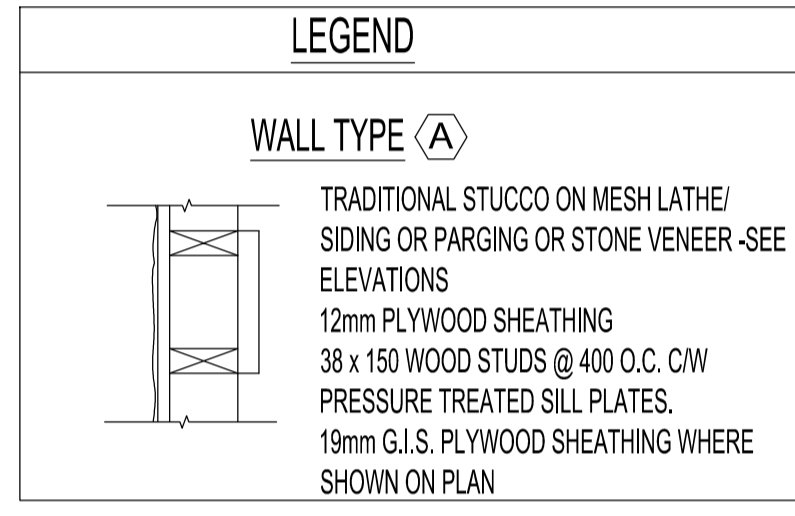
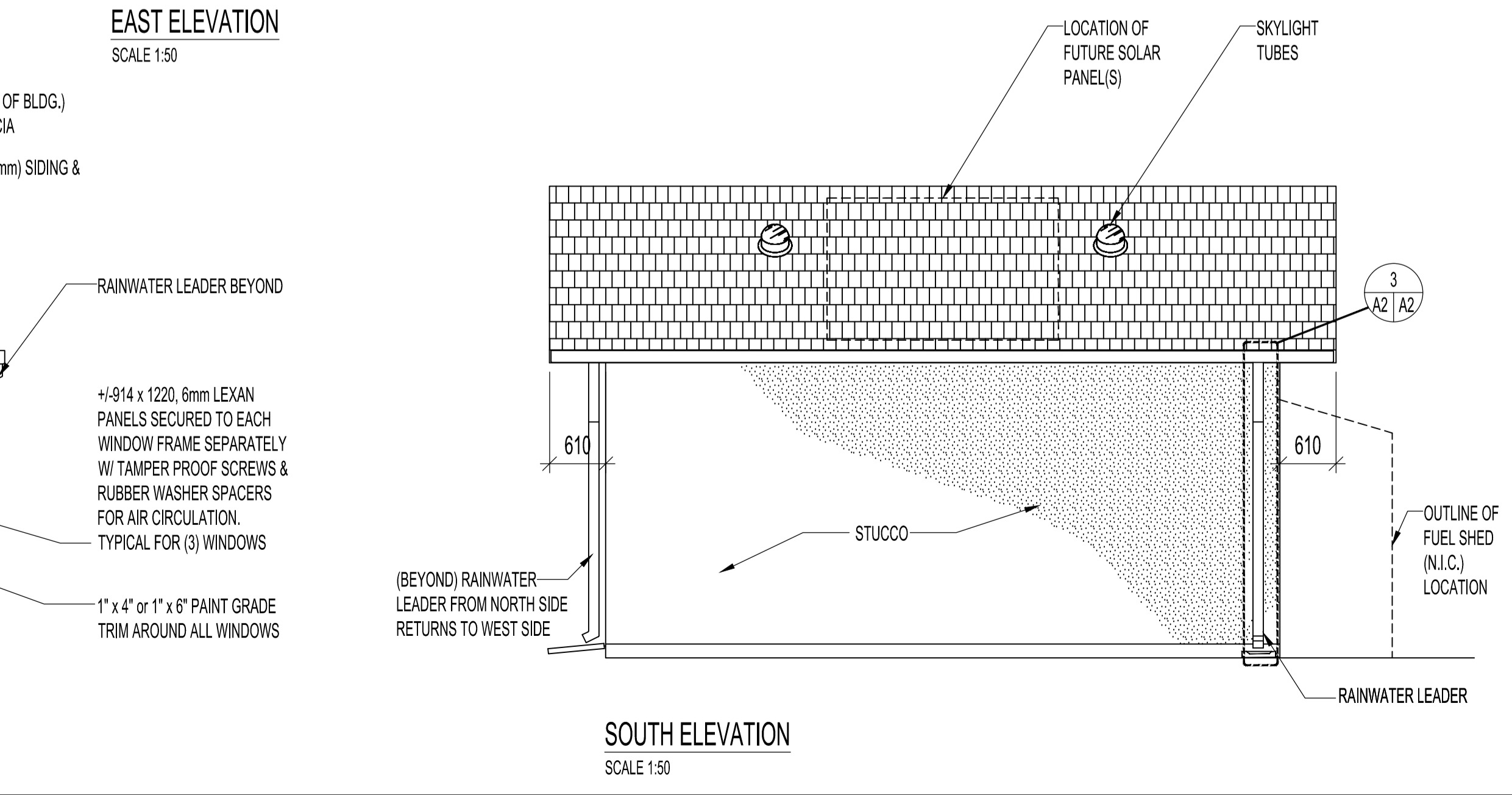
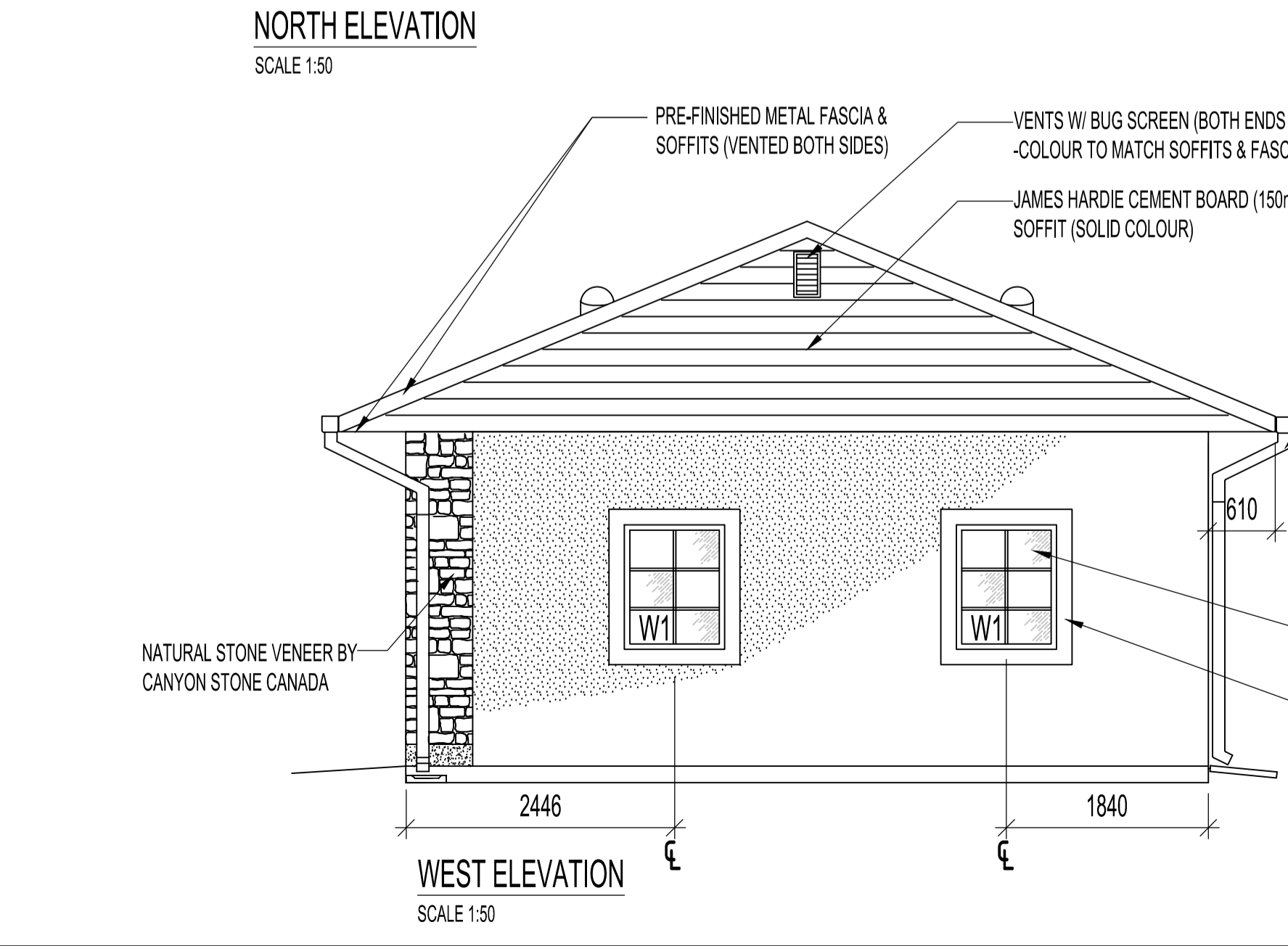
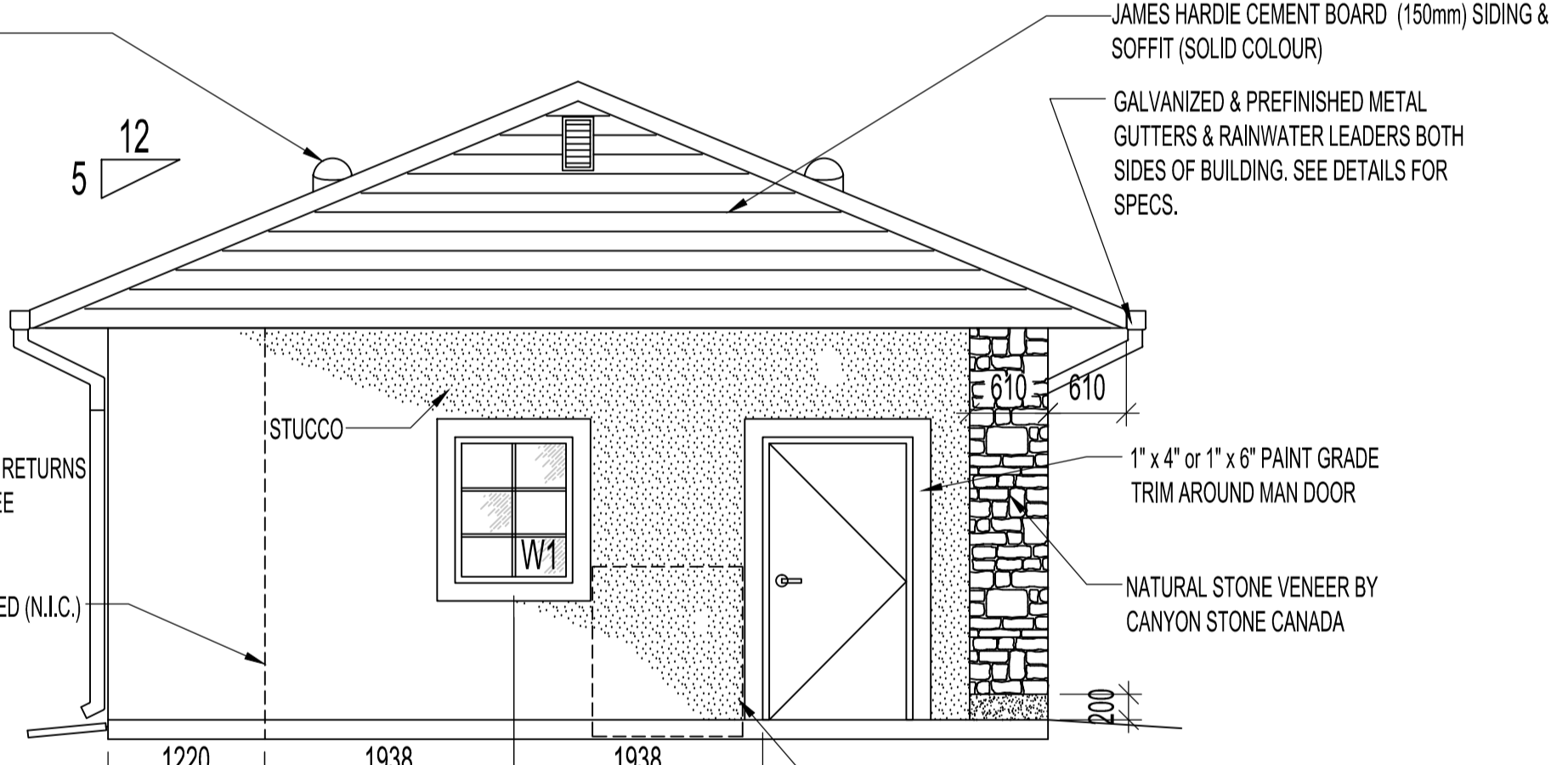
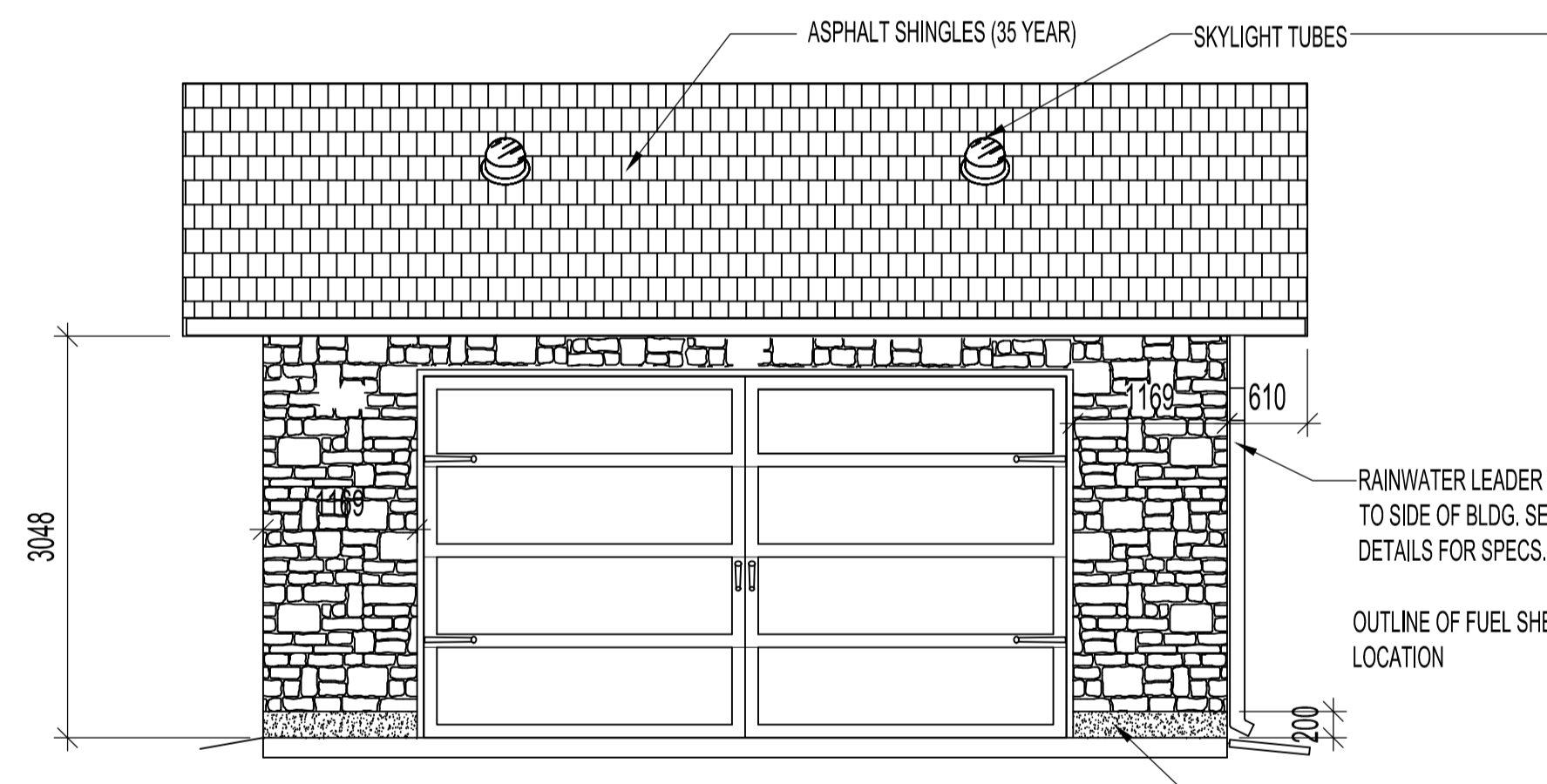


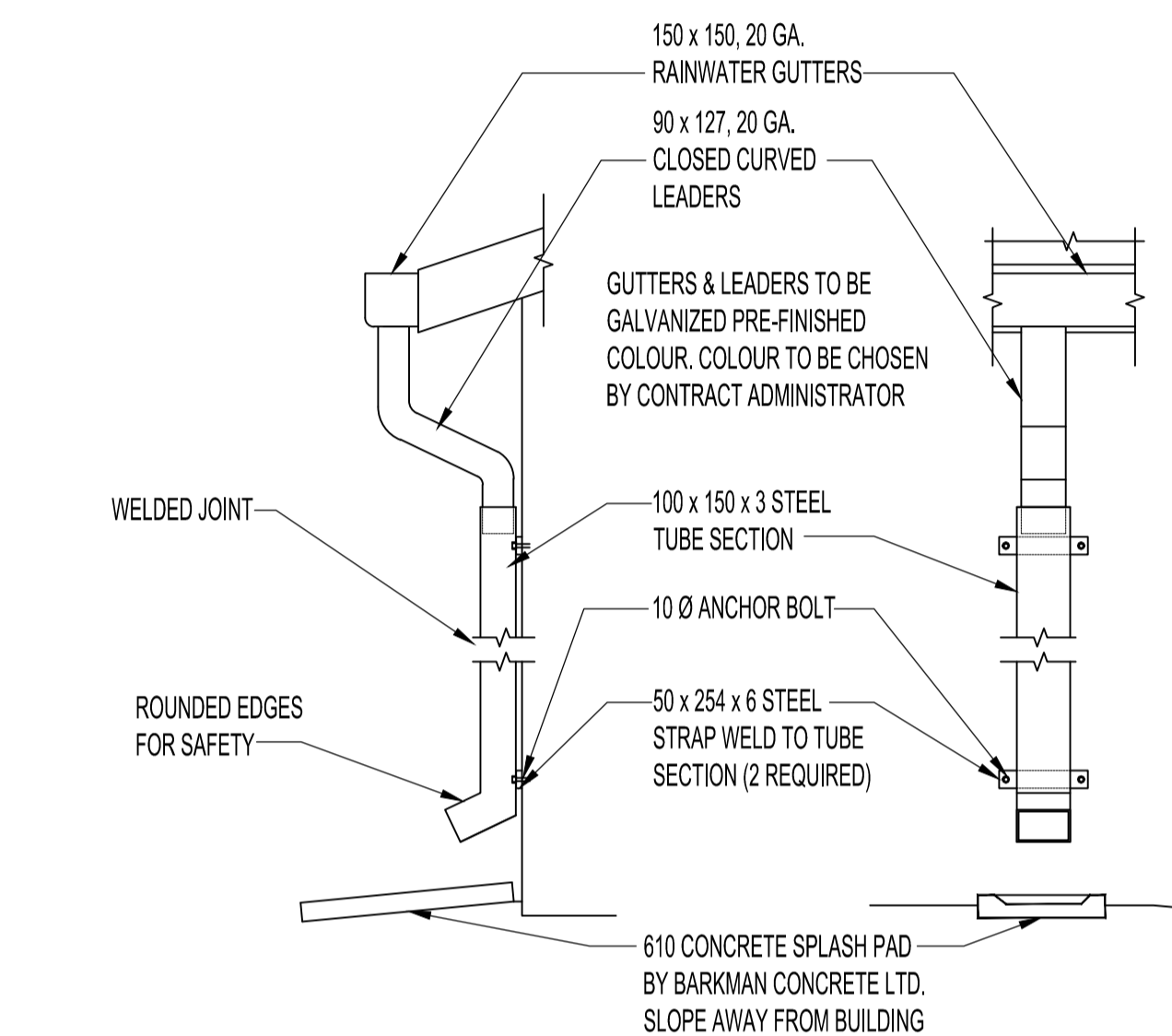
2 A2/A2



NOTES:
SHOP DRAWINGS
 RAINWATER GUTTERS & LEADERS
 PROVIDE SHOP DRAWINGS FOR CUSTOM GUTTERS & LEADERS. SEE DWG A2 FOR DETAILS.
COLOURS & FINISHES
 COLOURS & FINISHES FOR ALL STUCCO, CEMENT BOARD, STONE VENEER, SOFFITS & FASCIAS, ROOFING, RAINWATER GUTTERS & LEADERS, WINDOWS, DOORS, DOOR FRAMES, OVERHEAD DOOR, & TRIMS TO BE CHOSEN BY THE CITY AT A LATER DATE.



DOOR D102 -STEEL INSULATED OVERHEAD DOOR.
 DOOR & MISC. HARDWARE BY DOOR SUPPLIER. CW OH DOOR OPERATOR BY LIFT MASTER HOIST OPERATOR LOGIC 5.0 CW KEYLESS ENTRY SYSTEM 877MAX
 DOOR BY:
 OVERHEAD DOOR SUPPLY OF WINNIPEG
 CARRIAGE HOUSE COLLECTION
 CARRIAGE HOUSE STYLE 161A, 161B, 161T OR SIMILAR & BEAN HINGES & PULLS. OWNER TO FINALIZE DOOR STYLE, FINISH HARDWARE & COLOURS.



5 A1 A1 SCALE: 1:20

No.	REVISION/DESCRIPTION	BY	DATE

DATE	DRAWN	CHECKED	DESIGNED	APPROVED
2015.01.15	MMK			

THE CITY OF WINNIPEG
 PLANNING, PROPERTY AND
 DEVELOPMENT DEPARTMENT
 MUNICIPAL ACCOMMODATIONS DIVISION
 3-65 GARRY STREET, R3C 4K4

PROJECT
 PUBLIC WORKS
 PARKS & OPEN SPACE DIVISION
 NEW PARKS GARAGE
 2050 WARDE AVENUE

SHEET TITLE
 GARAGE FLOOR PLAN,
 ELEVATIONS & DOOR SCHEDULE,
 DETAILS

SCALE	PROJECT No:	SHEET No:
AS SHOWN	2014-128	A2