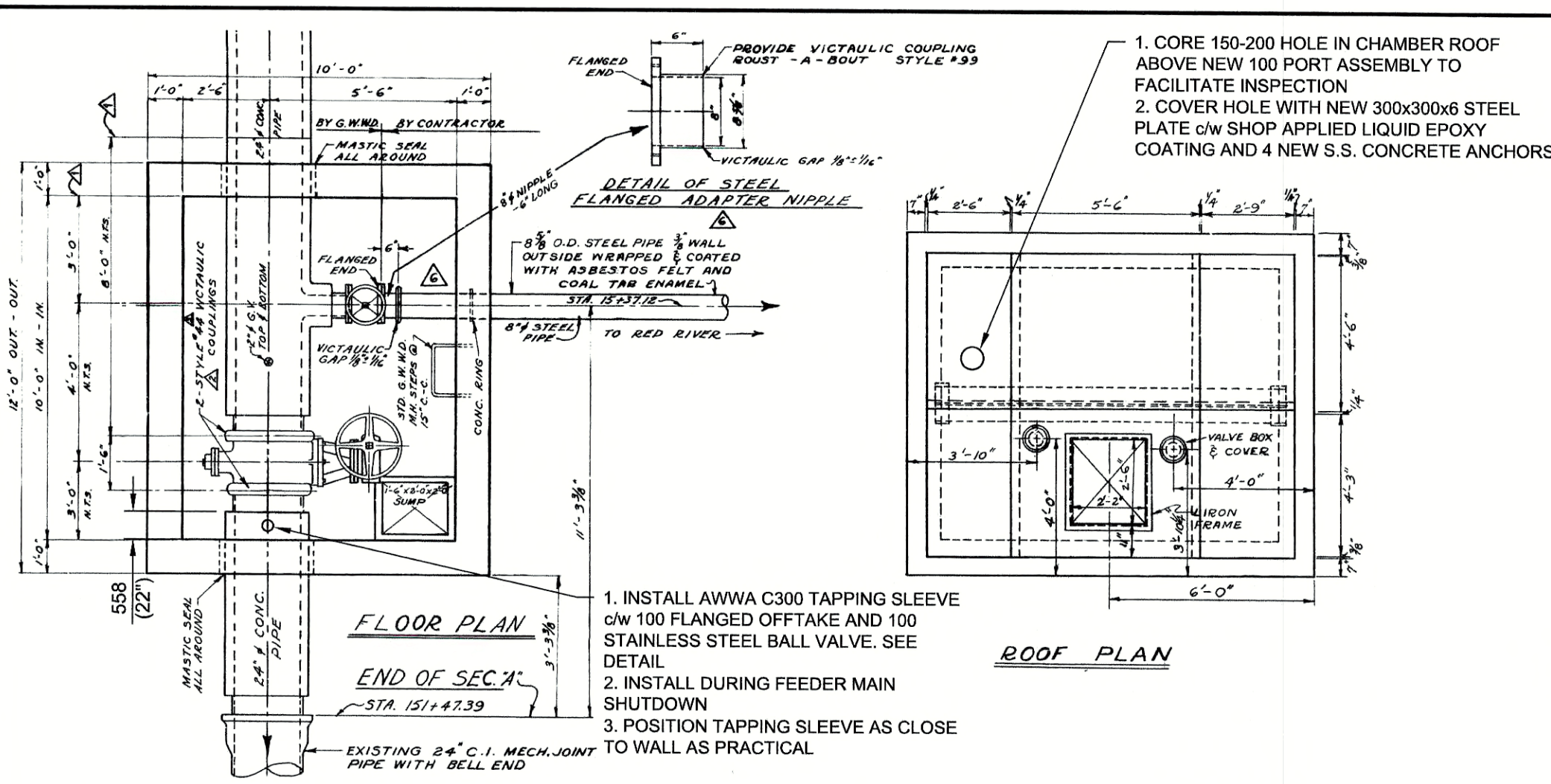


D SIZE 22" x 34" (559mm x 864mm)

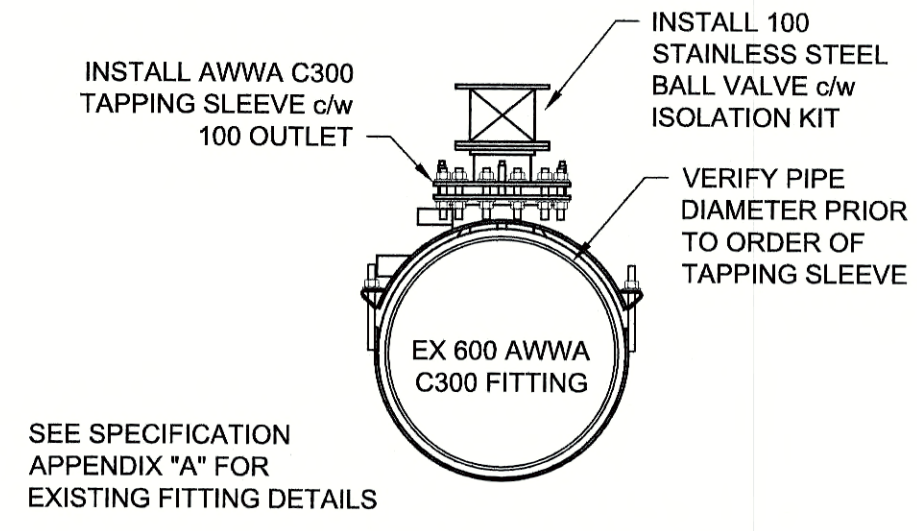
PLOT: 6/11/2018 11:39:33 AM

AECOM REVIEW DRFT CHK AECOM FILE NAME: 60549028-SHT-30-0000-C-1006.dwg. Saved By: denouednmw

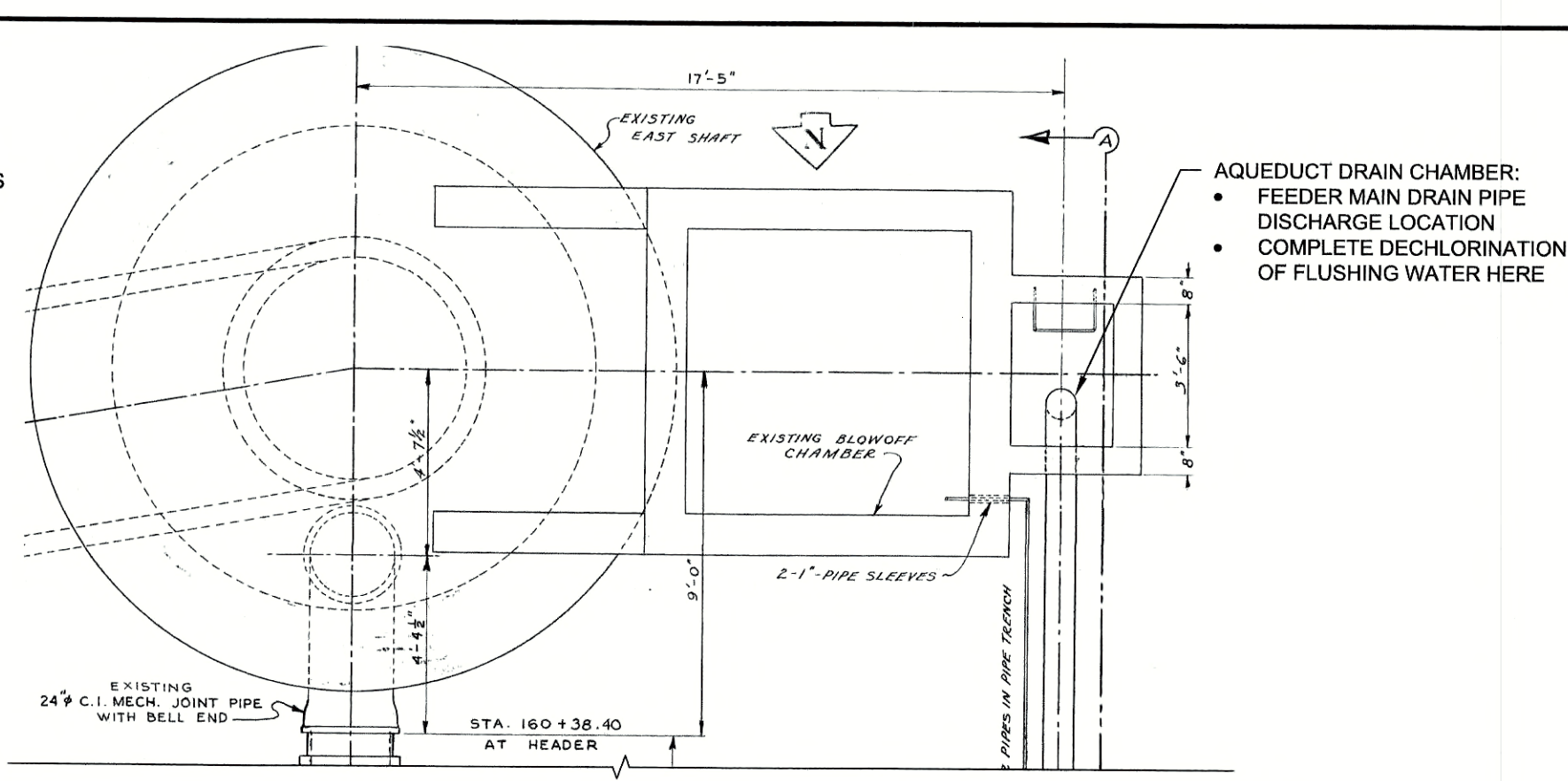


WEST CHAMBER
Scale N.T.S.

- REQUIRED WORK:**
1. PREP 800 PIPE FOR INSTALLATION OF TAPPING SLEEVE
 2. REMOVE FEEDER MAIN FROM SERVICE (BY CITY)
 3. DRAIN FDM SUFFICIENTLY TO ALLOW FOR INSTALLATION OF TAPPING SLEEVE (BY CITY)
 4. INSTALL TAPPING SLEEVE IN ACCORDANCE WITH MANUFACTURER'S RECOMMENDATION
 5. INSTALL 100 STAINLESS STEEL BALL VALVE
 6. CORE HOLE IN ROOF TO FACILITATE INSPECTION
 7. UNDERTAKE INSPECTIONS (BY OTHERS)
 8. INSTALL COVER PLATE ON CHAMBER ROOF



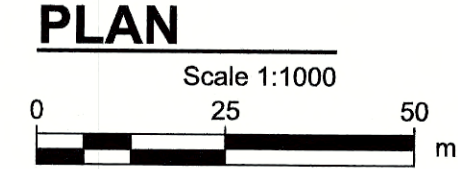
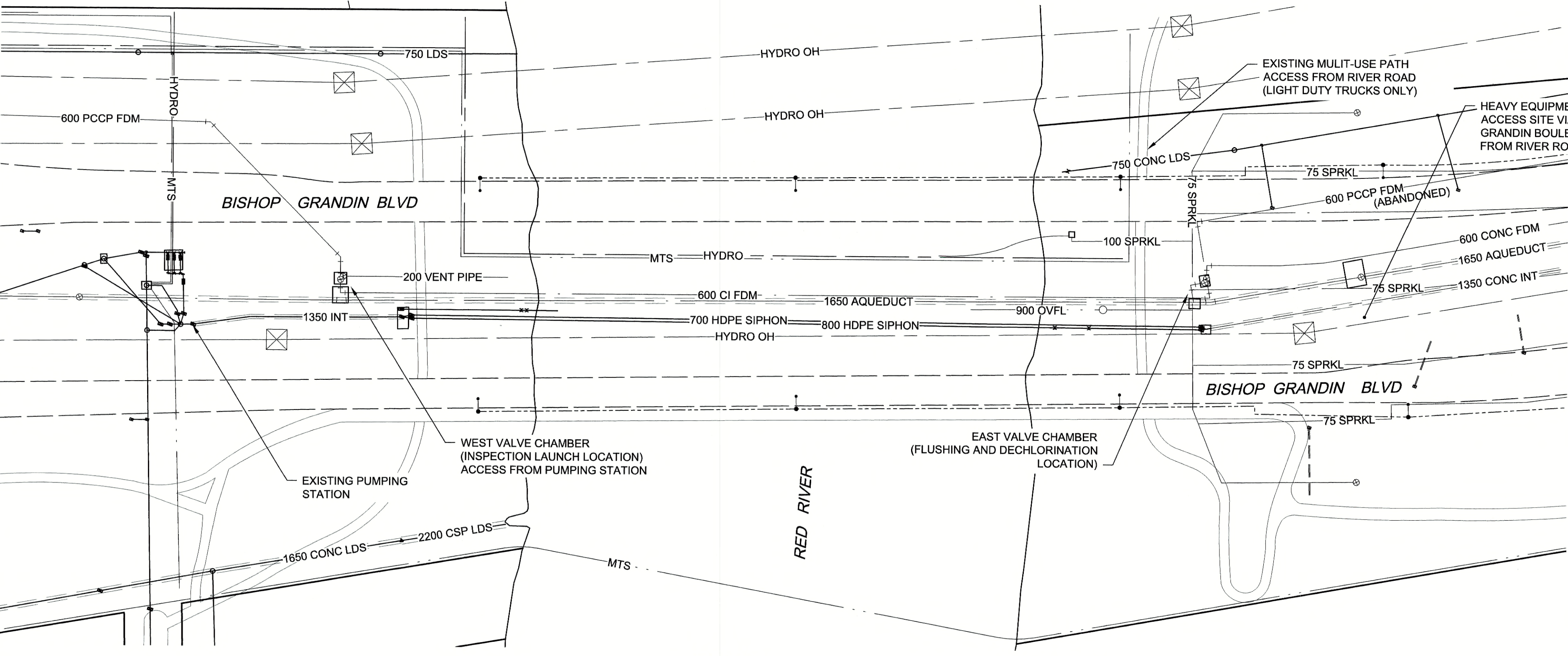
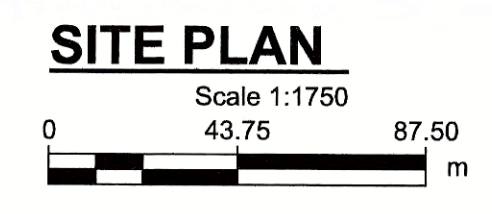
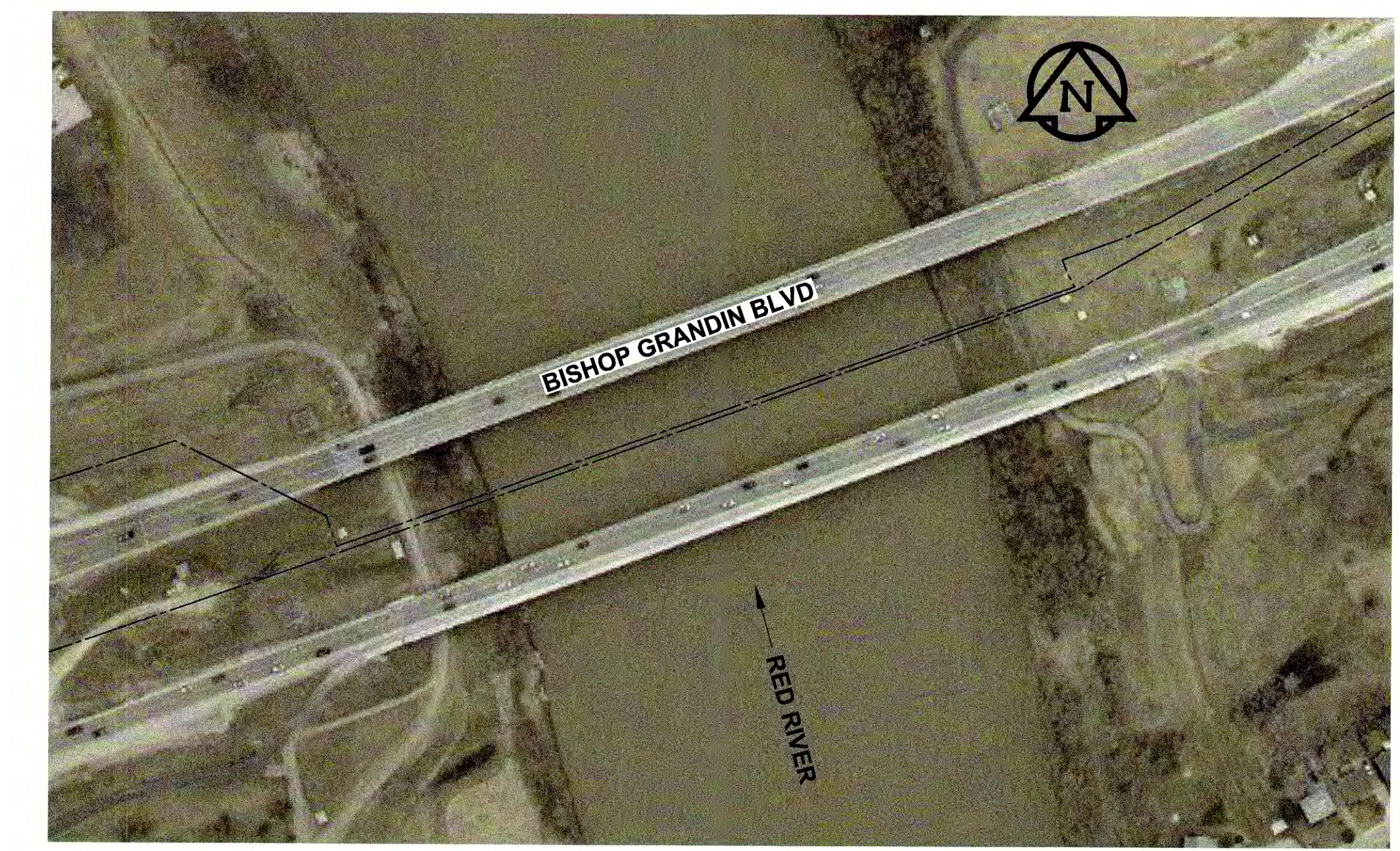
NEW 100Ø BLOW OFF VALVE DETAIL
1
Scale: N.T.S.



EAST CHAMBER
Scale N.T.S.

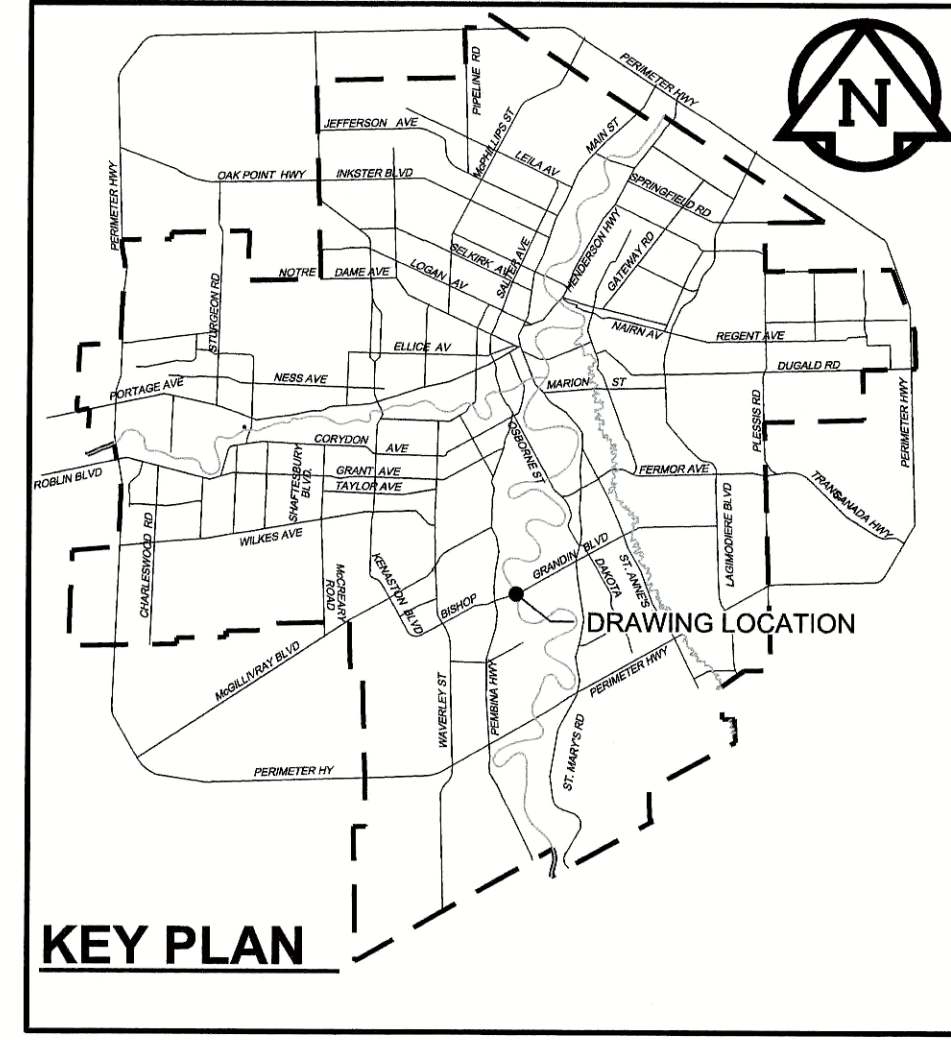
- REQUIRED WORK:**
1. REMOVE FEEDER MAIN FROM SERVICE (BY CITY)
 2. DRAIN FDM SUFFICIENTLY TO ALLOW FOR REMOVAL OF 200 GATE VALVE (BY CITY)
 3. REPLACE EXISTING 200 GATE VALVE
 4. REMOVE EXISTING 200 GATE VALVE ON DRAIN PIPING
 5. INSTALL CONNECTION TO 200 FEEDER MAIN DRAIN PIPING
 6. COMPLETE INSPECTION OPERATIONS (BY OTHERS)
 7. REMOVE 200 CONNECTION TO FEEDER MAIN DRAIN PIPING
 8. INSTALL BLIND FLANGE ON NEW 200 GATE VALVE

- NOTES:**
1. CONTRACTOR TO DECHLORINATE FLUSHING WATER DISCHARGING FROM 200 DRAIN LINE WITHIN THE AQUEDUCT DRAIN CHAMBER. FLUSHING RATES ANTICIPATED TO BE: 410 LITERS PER SECOND FOR 2 HRS (MAX)



METRIC
WHOLE NUMBERS INDICATE MILLIMETRES
DECIMALIZED NUMBERS INDICATE METRES

- NOTES:**
- SEQUENCE OF WORK:**
- ISOLATE CROSSING AT VALVE CHAMBERS ON EITHER SIDE OF THE CROSSING (BY CITY).
 - DRAIN PIPING TO PERMIT PIPELINE MODIFICATIONS (BY CITY).
 - COMPLETE PIPELINE MODIFICATIONS.
 - RECHARGE PIPELINE AND CHECK FOR LEAKS (BY CITY).
 - INSTALL SAHARA TOOL LAUNCHING APPARATUS (BY INSPECTION CONTRACTOR).
 - INDUCE FLOW THROUGH CROSSING (WEST TO EAST) BY OPENING THE 200 DRAIN VALVE (REPLACED AND RECONNECTED) WITHIN THE EAST VALVE CHAMBER. USE INDUCED FLOW TO PROPEL TOOL THROUGH THE CROSSING. DISCHARGED WATER MUST BE DECHLORINATED FROM WITHIN THE AQUEDUCT DRAIN CHAMBER. THE CITY TO OPERATE VALVES & MUST BE ONSITE FOR FLUSHING OPERATIONS.
 - ONCE TOOL HAS REACHED THE EAST SIDE OF THE CROSSING: REDUCE FLOWS UNTIL WATER IS CLEAR.
 - COMPLETE INSPECTION OF PIPELINE BY PULLING TOOL BACK TOWARDS THE WEST VALVE CHAMBER (BY INSPECTION CONTRACTOR).
 - ONCE THE INSPECTION IS COMPLETE: REMOVE INSPECTION LAUNCH EQUIPMENT AND CLOSE UP WEST CHAMBER.
 - REINSTATE FEEDER MAIN OPERATION (BY CITY).
 - REMOVE TEMPORARY FEEDER MAIN DRAIN CONNECTION WITHIN THE EAST CHAMBER AND INSTALL BLIND FLANGE ON NEW 200 DRAIN VALVE.
 - PERFORM LOW PRESSURE LEAKAGE TEST.
 - RESTORE BOULEVARDS, SIDEWALKS & ROADWAYS DAMAGED DURING CONSTRUCTION.



APEGM
Certificate of Authorization
AECOM Canada Ltd.
No. 4671 Date: June 4/18

BID OPPORTUNITY NO. 492-2018

150 WM	WATERMAIN	150 WM	○	CURB STOP	150 WM	WATERMAIN	150 WM
○	HYDRANT	○	+	REDUCER	+	HYDRANT	+
○	VALVE	○	×	COUPLING	×	VALVE	×
300 LDS	LAND DRAINAGE SEWER	300 LDS	○	ANODE	○	LAND DRAINAGE SEWER	300 LDS
250 WWS	WASTE WATER SEWER	250 WWS	○	HYDRO	○	WASTE WATER SEWER	250 WWS
○	MANHOLE	○	○	MTS	○	PAVEMENT CROWN	○
□	CATCH BASIN	□	○	GAS	○	N/W PROPERTY LINE	○
△	CURB INLET	△	○	TESTHOLE	○	S/E PROPERTY LINE	○
▭	CULVERT	▭	○	LAMP STANDARD	○	N/W GUTTER	○
▭	PIPE ABANDONMENTS	▭	○	TREE	○	S/E GUTTER	○
+	SURVEY BAR	+	○				
EXISTING	LEGEND - PLAN	NEW	EXISTING	LEGEND - PLAN	NEW	EXISTING	LEGEND - PROFILE

LOCATION APPROVED
UNDERGROUND STRUCTURES

SUPR. LIG STRUCTURES DATE COMMITTEE

NOTE:
LOCATION OF UNDERGROUND STRUCTURES AS SHOWN ARE BASED ON THE BEST INFORMATION AVAILABLE. BUT NO GUARANTEE IS GIVEN THAT ALL EXISTING UTILITIES ARE SHOWN OR THAT THE GIVEN LOCATIONS ARE EXACT. CONFIRMATION OF EXISTENCE AND EXACT LOCATION OF ALL SERVICES MUST BE OBTAINED FROM THE INDIVIDUAL UTILITIES BEFORE PROCEEDING WITH CONSTRUCTION.

0	ISSUED FOR CONSTRUCTION	18/06/01	KLC
NO.	REVISIONS	YYMMDD	BY

AECOM

DESIGNED BY: ADB
DRAWN BY: KLC
CHECKED BY: [Signature]
APPROVED BY: [Signature]
HOR. SCALE: AS NOTED
VERT. SCALE: N/A
DATE: June 4, 2018

PROFESSIONAL'S SEAL
A.D. BRAUN
Member
24489
REGISTERED PROFESSIONAL ENGINEER
CONSULTANT DRAWING NO.
60549028-SHT-30-0000-C-1006

THE CITY OF WINNIPEG
WATER AND WASTE DEPARTMENT

PROVISION OF PIPELINE ACCESS MODIFICATIONS, CLEANING AND SUPPORT SERVICES FOR RIVER CROSSING INSPECTIONS - PHASE TWO

SHEET 7 OF 7
CITY DRAWING NUMBER
REV
D-15161 0

SITE 6
FORT GARRY - ST. VITAL FEEDER MAIN