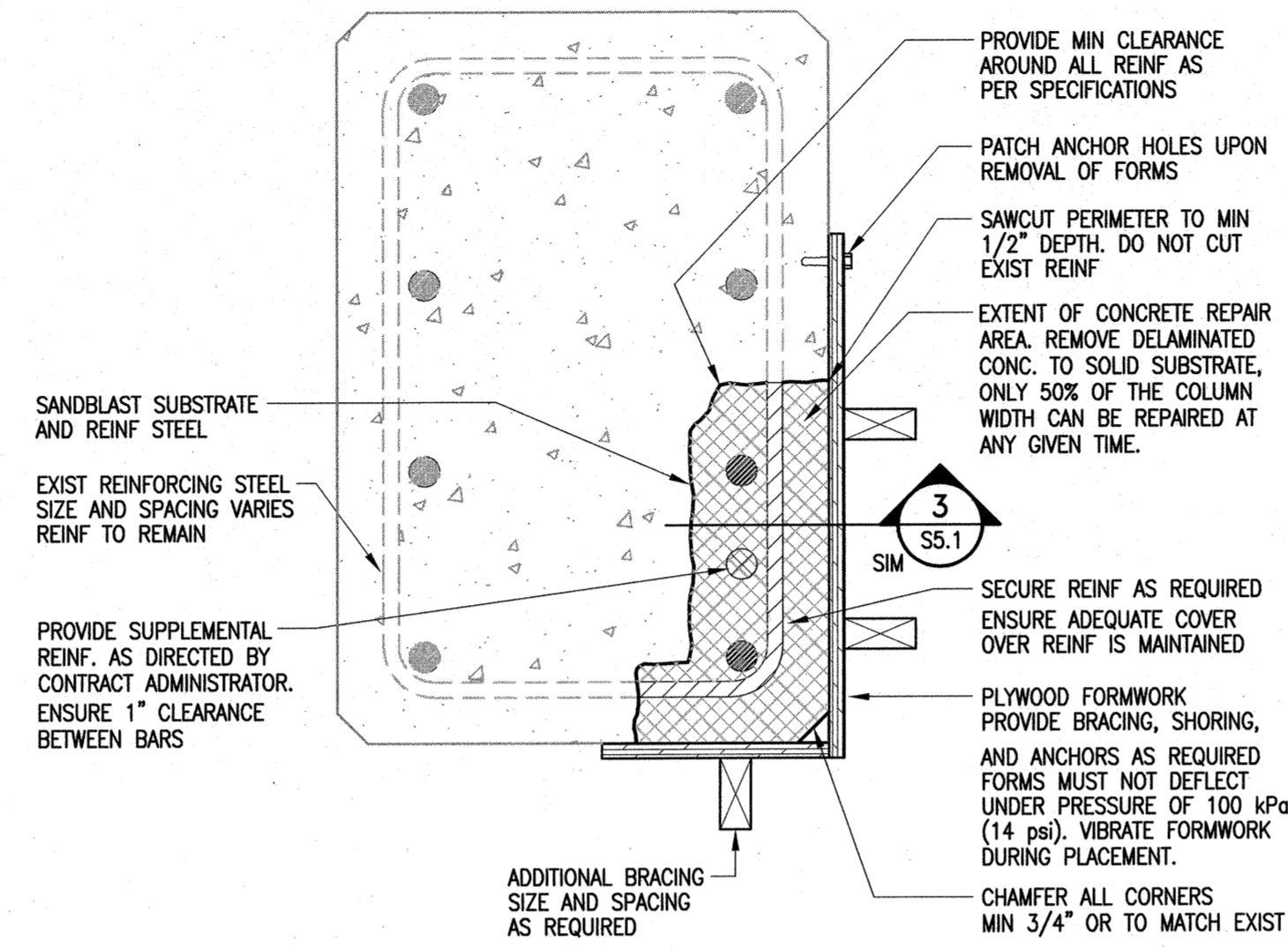
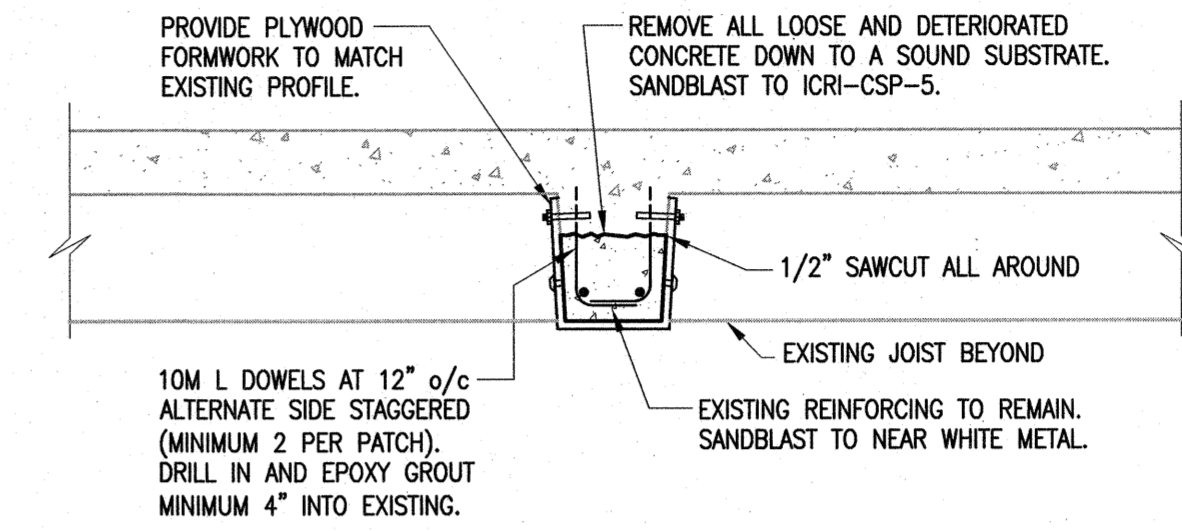


1 TYPICAL BEAM PRESSURE GROUTING REPAIR
 * S5.1 N.T.S.

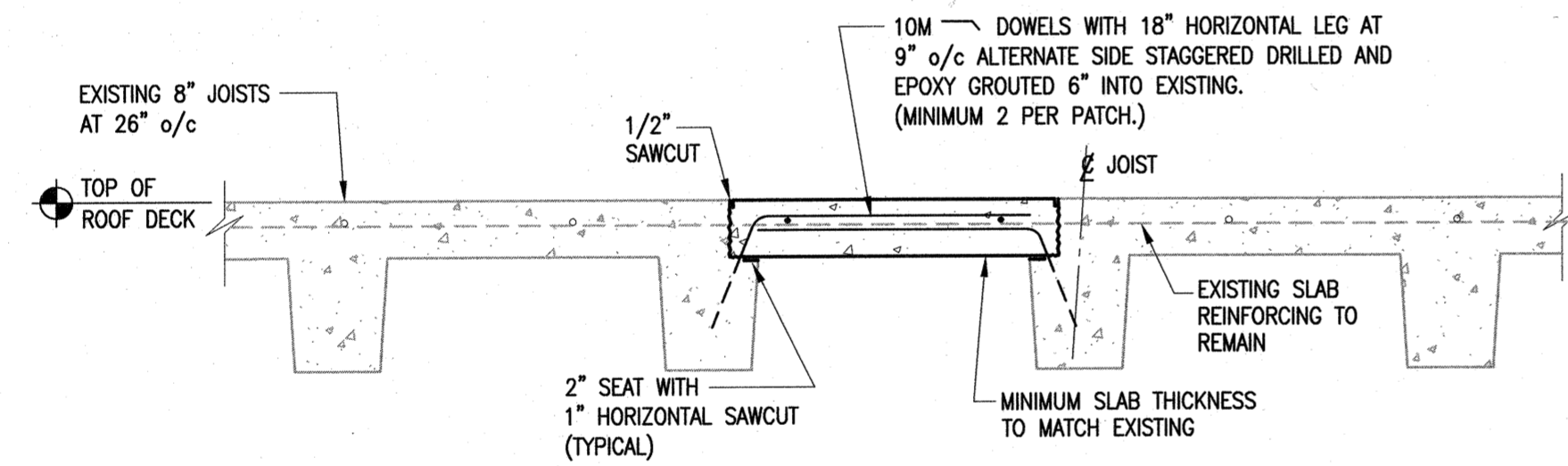
INSTALL TEMPORARY BEAM SHORING. SHORING REQUIREMENTS AND SETUP TO BE COORDINATED WITH CONTRACT ADMINISTRATOR



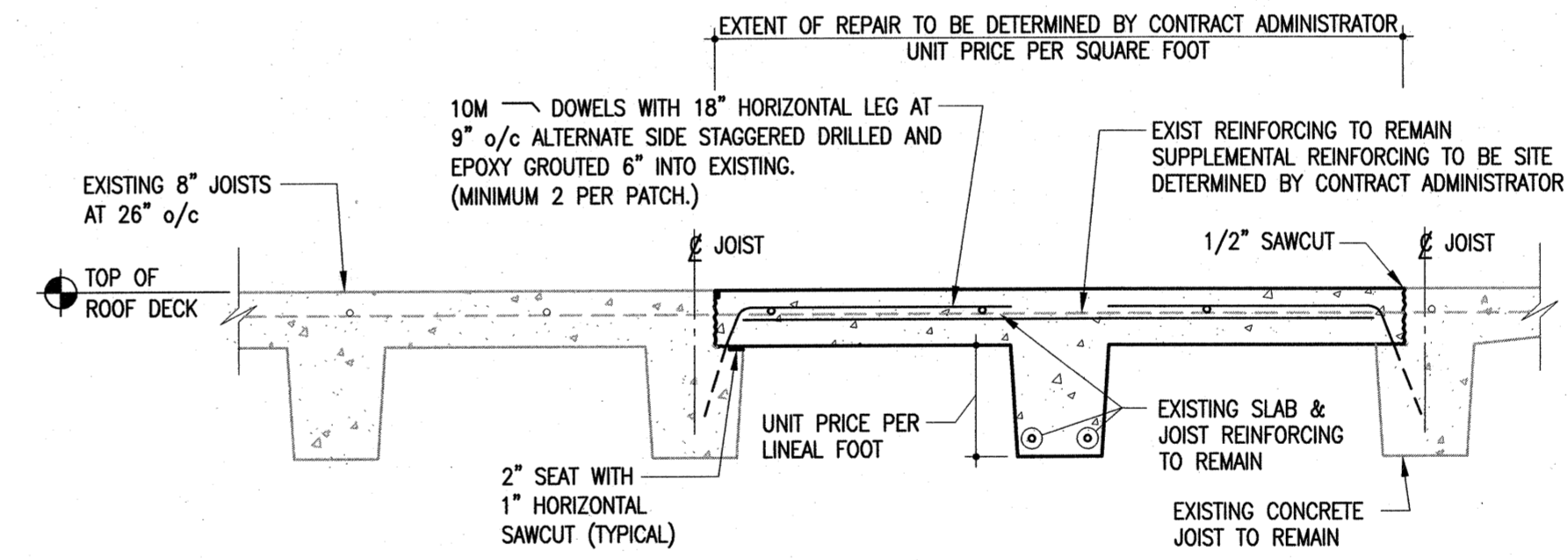
2 TYPICAL FORM & POUR COLUMN REPAIR DETAIL
 * S5.1 N.T.S.



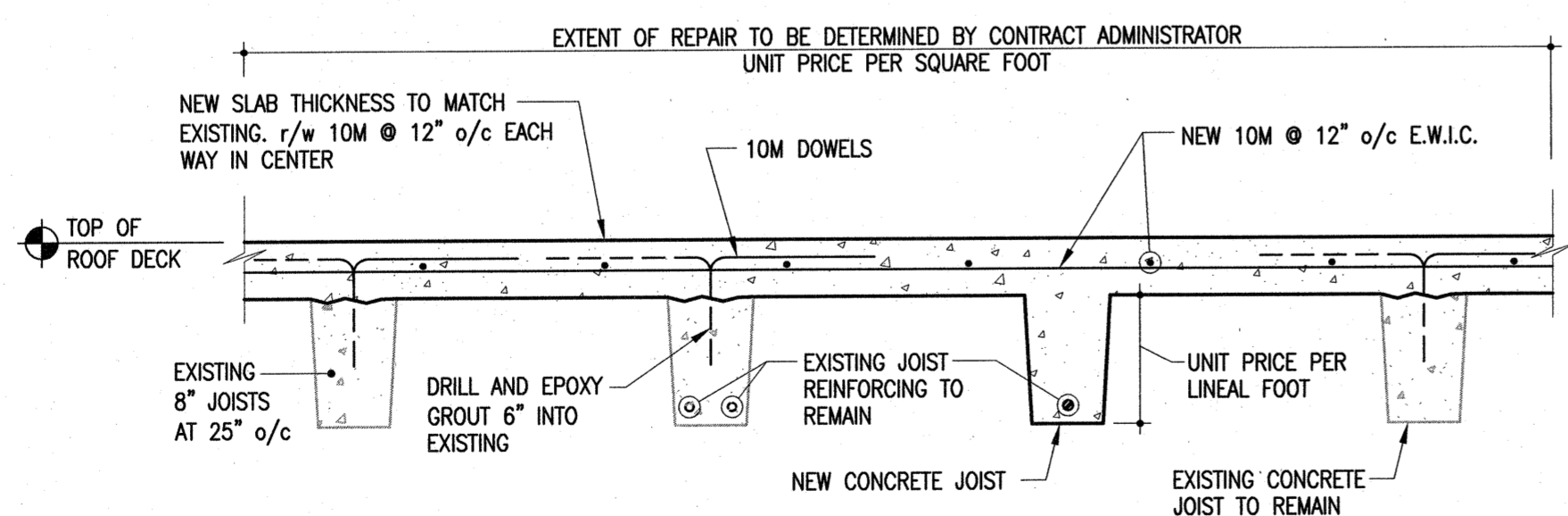
3 JOIST PRESSURE GROUTING REPAIR
 S2.1 S5.1 N.T.S. (UNIT PRICE PER LINEAL FOOT)



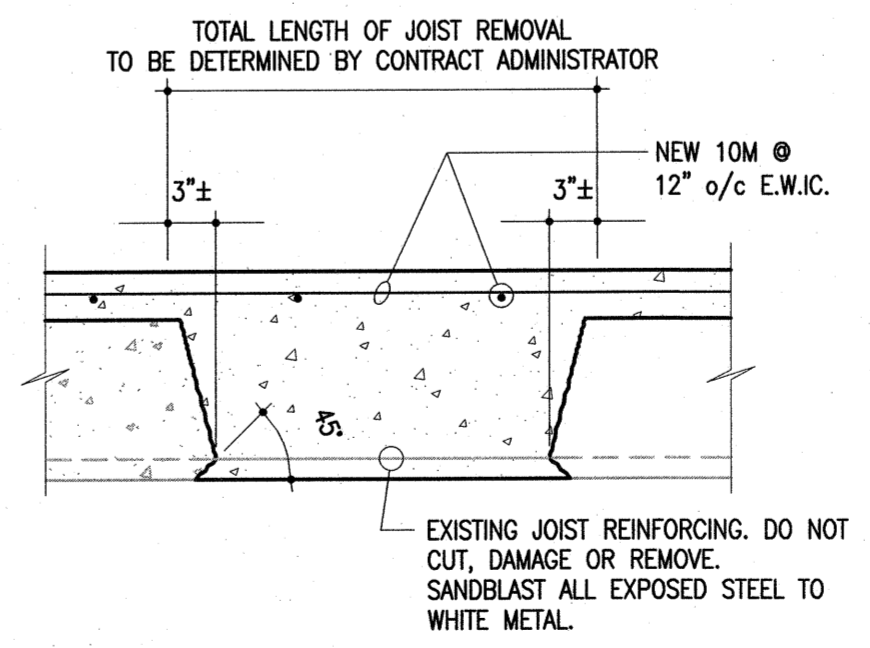
4 THRU SLAB REPAIR - SINGLE SPAN
 S2.1 S5.1 1\"/>



5 MULTIPLE SPAN THRU SLAB AND JOIST REPLACEMENT
 S2.1 S5.1 1\"/>



6 MULTIPLE SPAN THRU SLAB REPLACEMENT WITH OR WITHOUT JOIST REPLACEMENT
 S2.1 S5.1 1\"/>



7 TYPICAL JOIST REPAIR DETAIL
 * S5.1 1\"/>

The General Contractor shall check & verify all dimensions and report any errors or omissions to the designers.

0	2018-06-04	ISSUED FOR CONSTRUCTION	IM
No.	Date	Issue/Revision	By

APEGM
 Certificate of Authorization
 Crosier Kilgour & Partners Ltd.
 No. 235 Date: 2018-06-04



Consultant

300-275 Carlton Street
 Winnipeg, Manitoba R3C 5R6
 T 204. 943. 7501
 F 204. 943. 7507

Crosier Kilgour & Partners Ltd.
 CONSULTING STRUCTURAL ENGINEERS

Project
WINNIPEG TRANSIT
 2018 STRUCTURAL AND ROOFING REPAIRS

1520 MAIN STREET
 WINNIPEG, MANITOBA

Sheet Title
 TYPICAL SECTIONS & DETAILS

File	2018-0145	Date	2018-06-04
Design	IM	Drawn	DNM
Revision	0	Sheet No.	S5.1