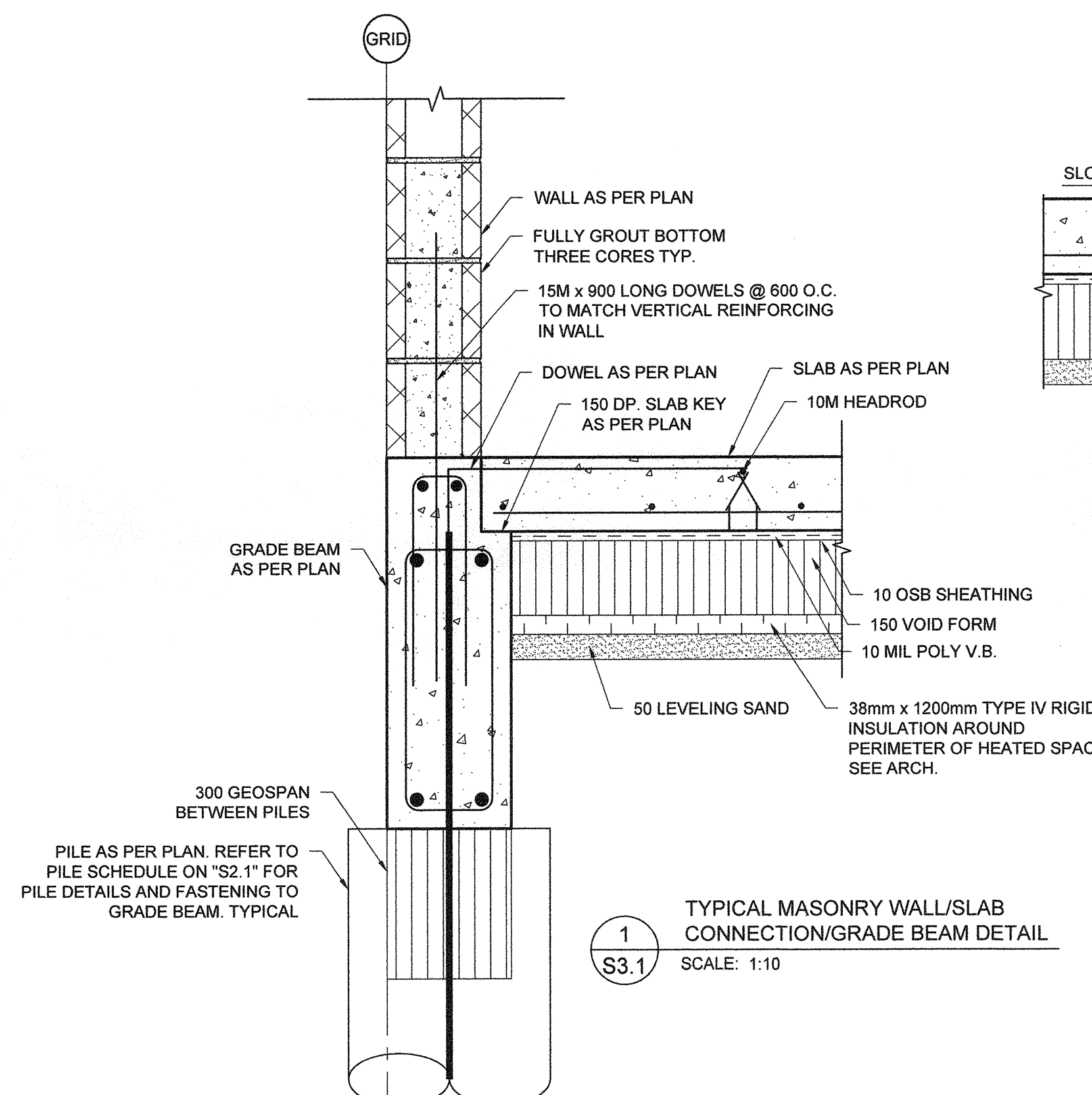
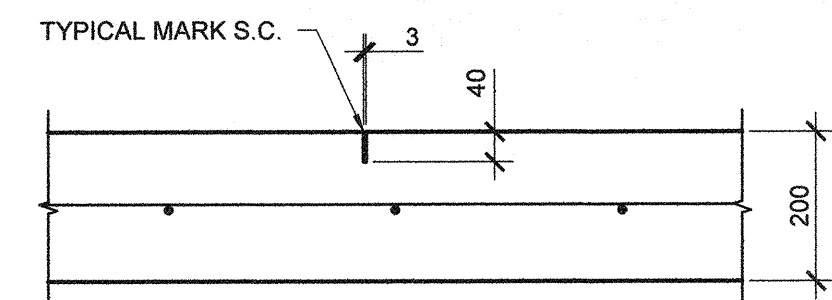


ALL DRAWINGS AND SPECIFICATIONS ARE THE PROPERTY OF THE CONSULTANT. NO REPRODUCTIONS MAY BE MADE WITHOUT THE CONSENT OF THE CONSULTANT. ALL REPRODUCTIONS MUST BEAR THE NAME OF THE CONSULTANT. THE CONTRACTOR SHALL VERIFY ALL DIMENSIONS, DATUMS AND LEVELS NOTED ON THE DRAWINGS WITH THE CONDITIONS ON SITE AND SHALL BE RESPONSIBLE FOR REPORTING ANY ERRORS OR OMISSIONS TO THE ENGINEER FOR ADJUSTMENTS. THIS DRAWING SHALL NOT BE SCALED.

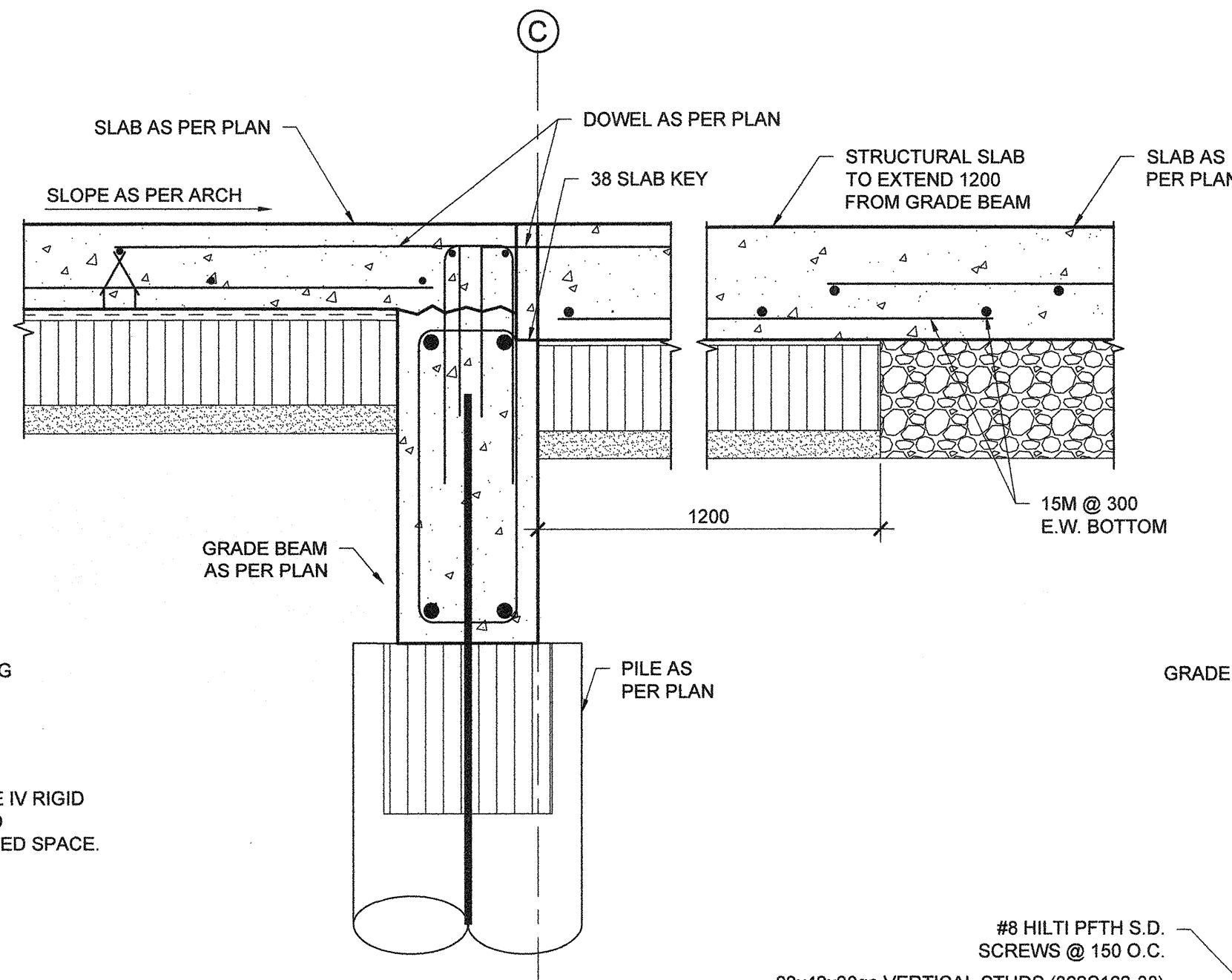


1 TYPICAL MASONRY WALL/SLAB CONNECTION/GRADE BEAM DETAIL
S3.1 SCALE: 1:10

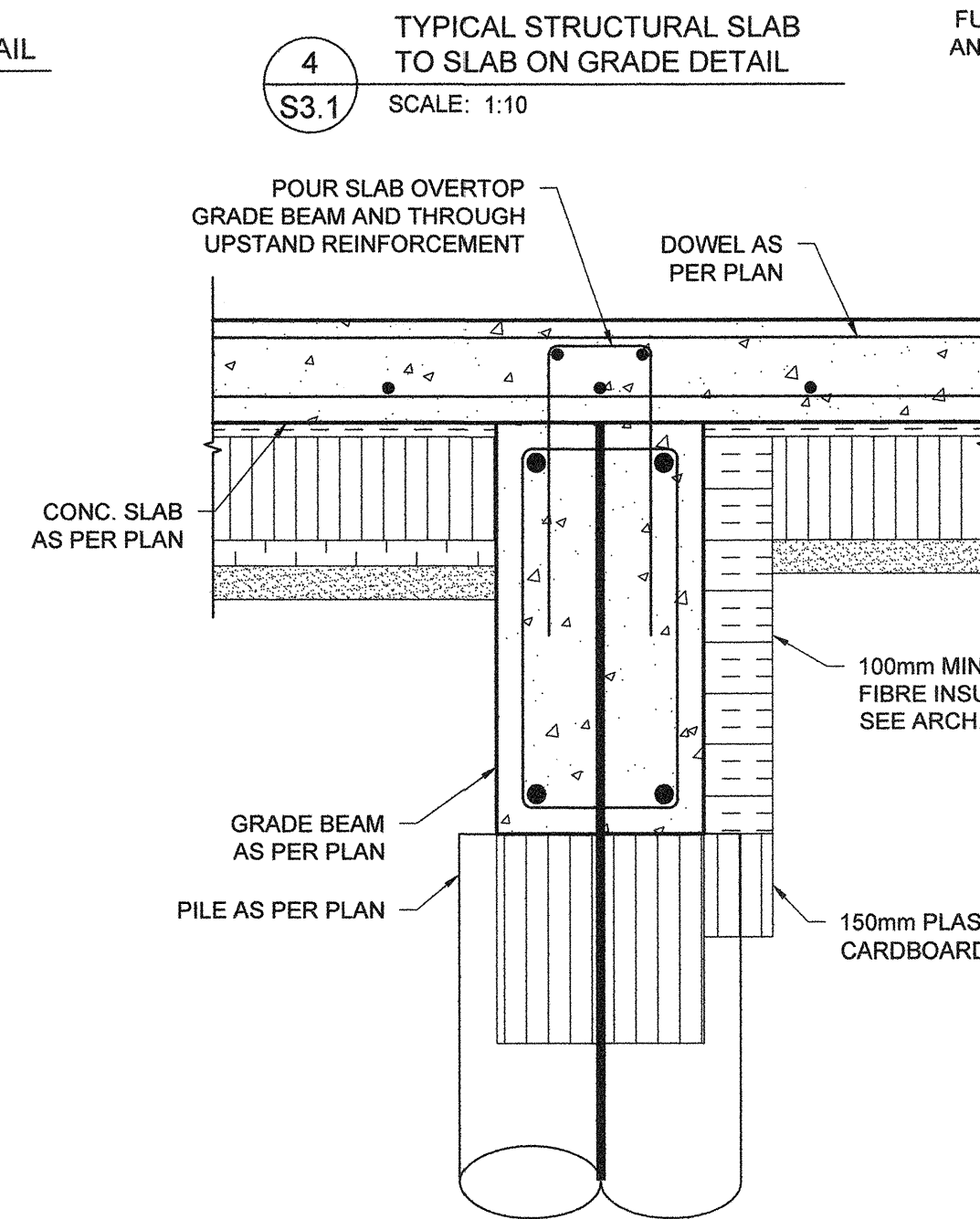


- NOTES:
- SAWCUT DEPTH TO BE 1/3 OF THE TOTAL SLAB DEPTH. CONTRACTOR TO ENSURE THAT REBAR IS NOT CUT.
 - SAWCUTTING TO BE COMPLETED WITHIN 6 TO 18 HOURS AFTER PLACING CONCRETE.
 - AFTER THE SLAB HAS ACHIEVED FULL STRENGTH AND MOST ABOVE SLAB STRUCTURAL WORK HAS BEEN COMPLETED, ALL DEBRIS IS TO BE REMOVED FROM SAWCUTS AND FULL WITH MORTAR CONTAINING CEMENT SAND, AND LATEX BONDING AGENT (OR AS INSTRUCTED BY ARCHITECT, STRUCTURAL ENGINEER, AND CONTRACT ADMINISTRATOR), OR AS NOTED IN THE SPECIFICATIONS (CONFIRM WITH ARCHITECT, STRUCTURAL ENGINEER, AND CONTRACT ADMINISTRATOR). THE CONTRACTOR IS RESPONSIBLE THAT POST FILLING CAVITIES DO NOT REDUCE THE QUALITY OR DURABILITY OF FILLED JOINTS.
 - MAXIMUM SPACING OF SAWCUTS IN SLAB ON GRADE SHALL NOT EXCEED THE FOLLOWING UN:
100 SLAB - 3600 ON CENTRE
130 SLAB - 4500 ON CENTRE
150 SLAB - 6100 ON CENTRE
 - COORDINATE EXACT LOCATION OF SAWCUTS IN SLAB ON GRADE WITH ARCHITECTURAL FLOOR FINISHES.

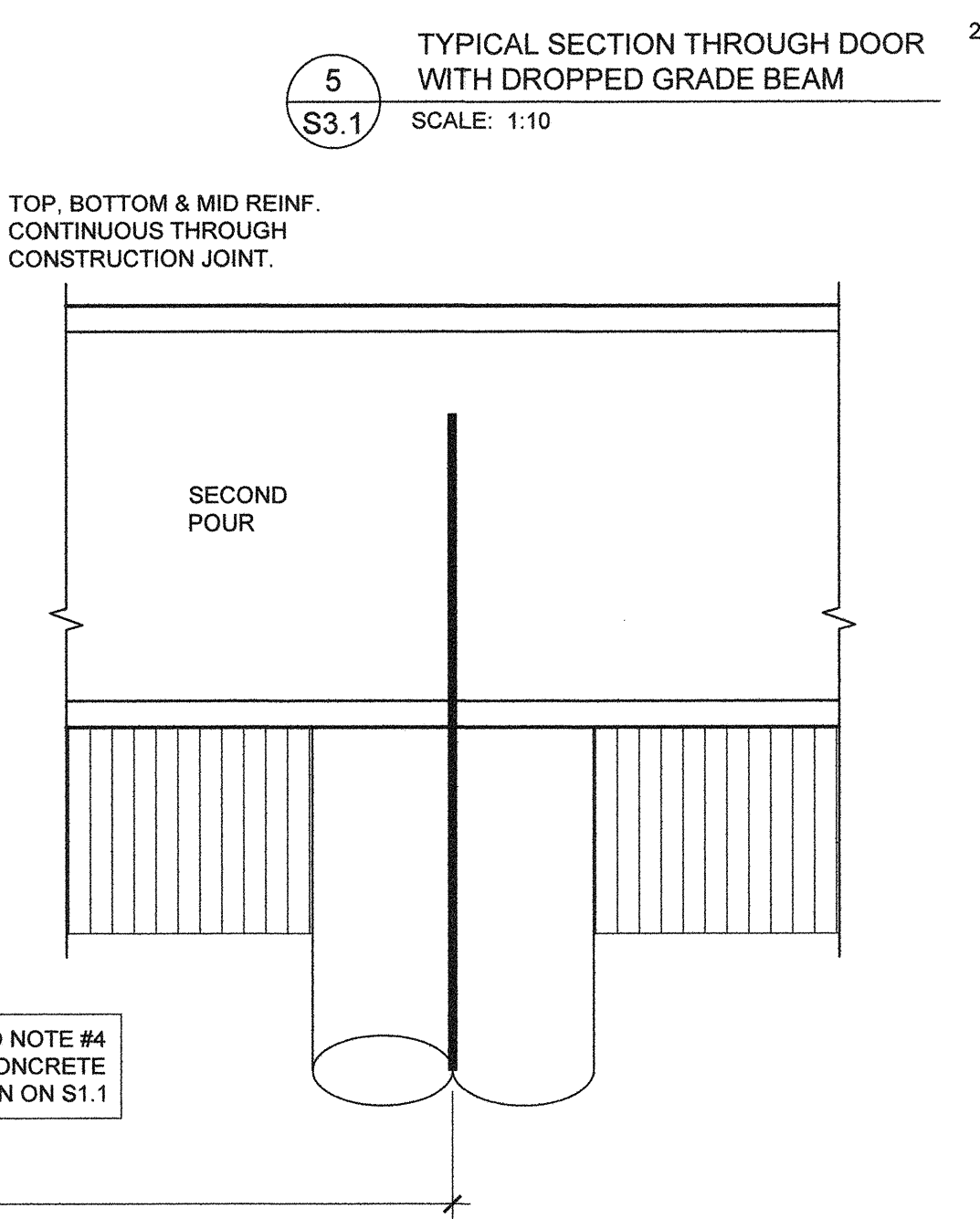
2 TYPICAL SLAB ON GRADE SAWCUT SECTION
S3.1 SCALE: 1:10



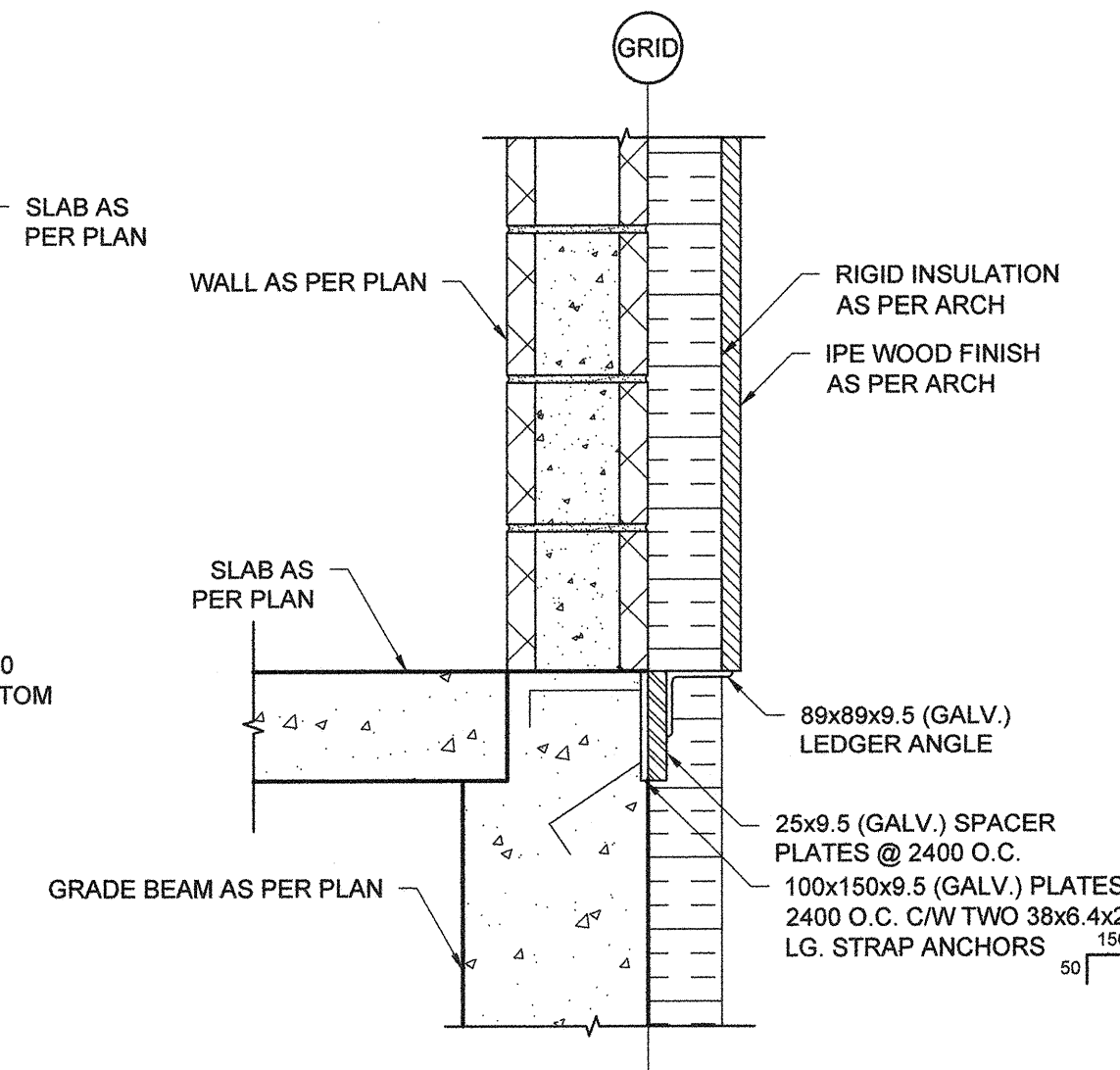
3 TYPICAL CONSTRUCTION JOINT DETAIL FOR CONTINUOUS GRADE BEAMS
S3.1 SCALE: 1:10



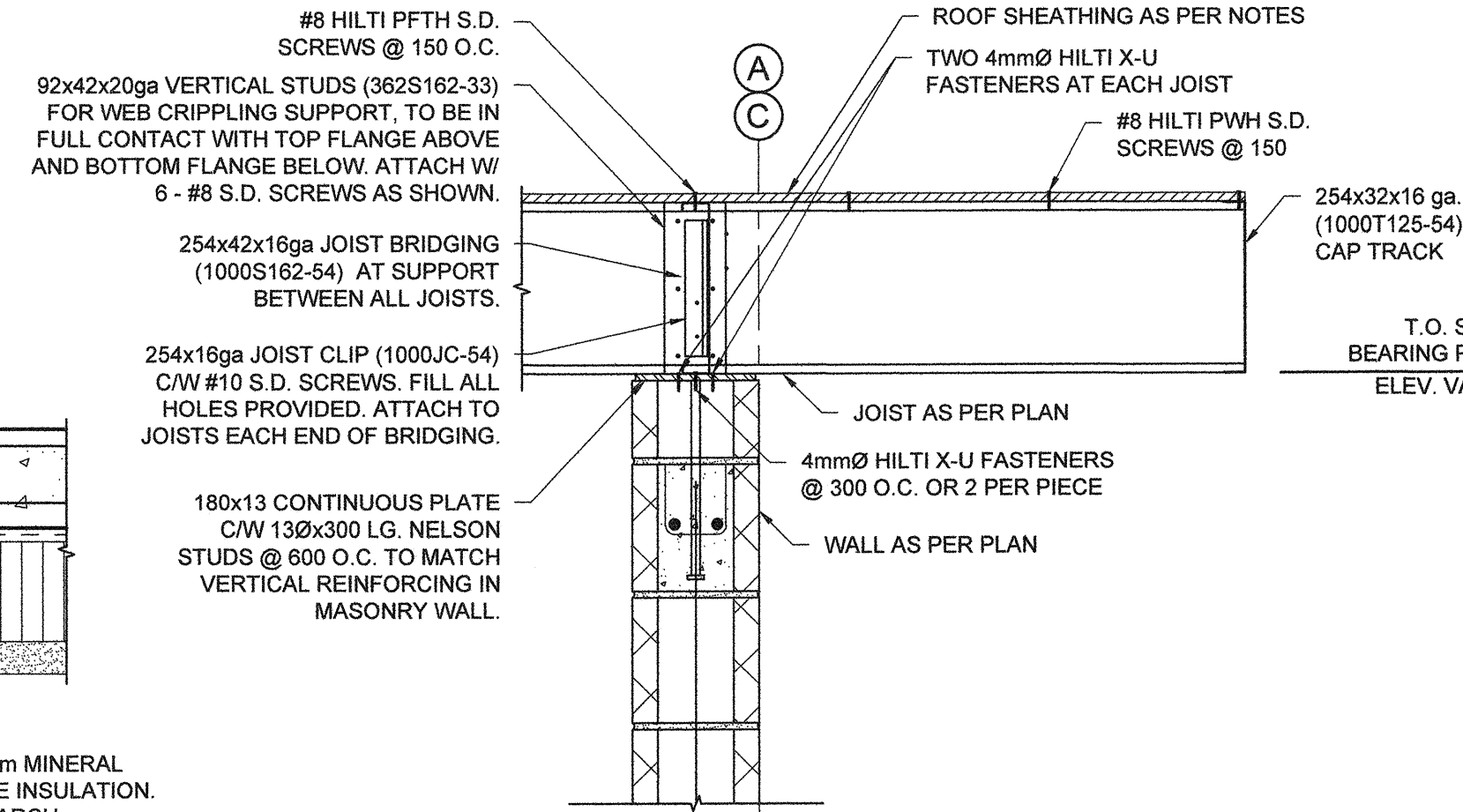
4 TYPICAL STRUCTURAL SLAB TO SLAB ON GRADE DETAIL
S3.1 SCALE: 1:10



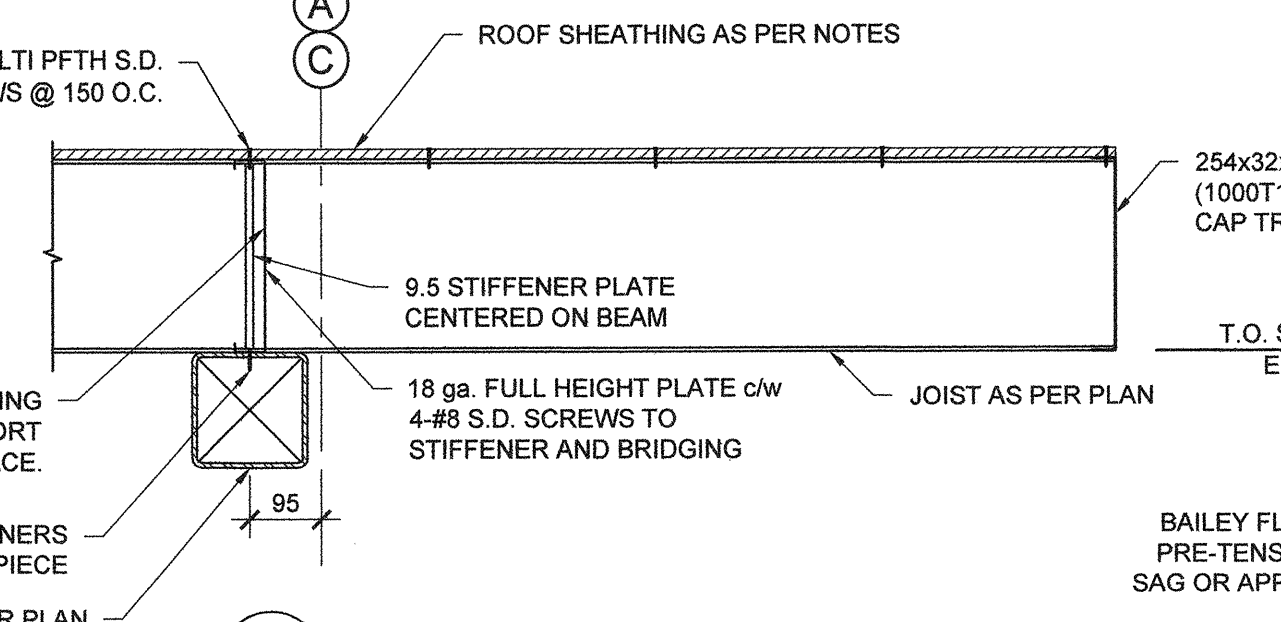
5 TYPICAL SECTION THROUGH DOOR WITH DROPPED GRADE BEAM
S3.1 SCALE: 1:10



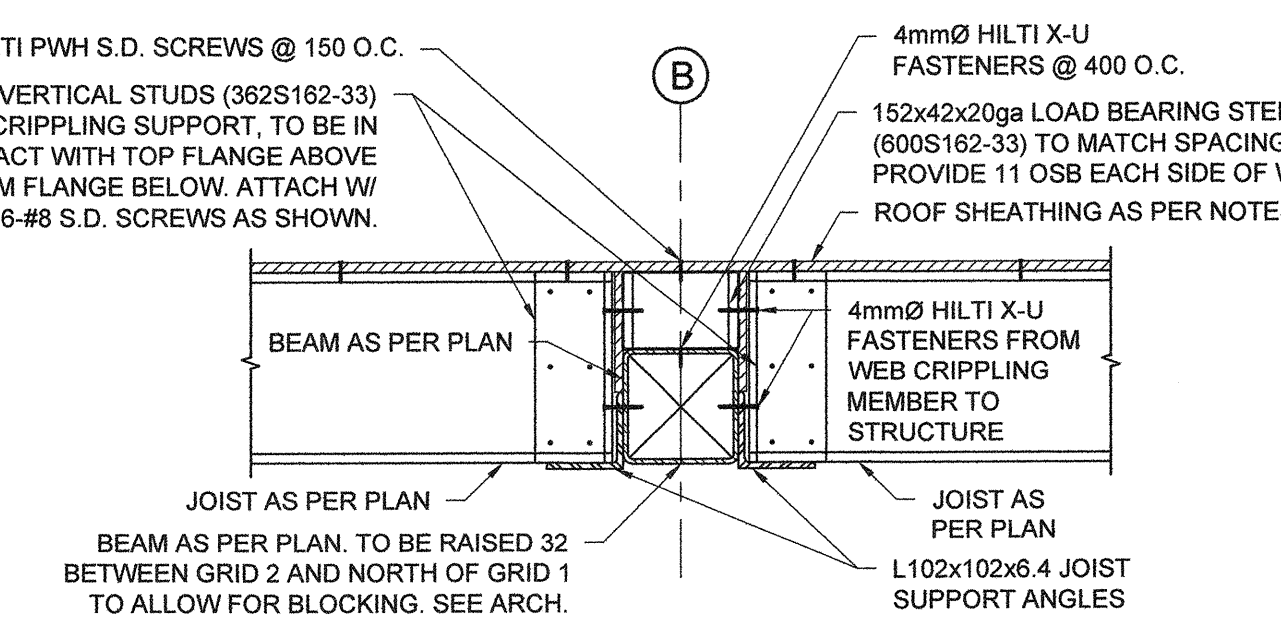
6 EXTERIOR FINISH LEDGER SUPPORT
S3.1 SCALE: 1:10



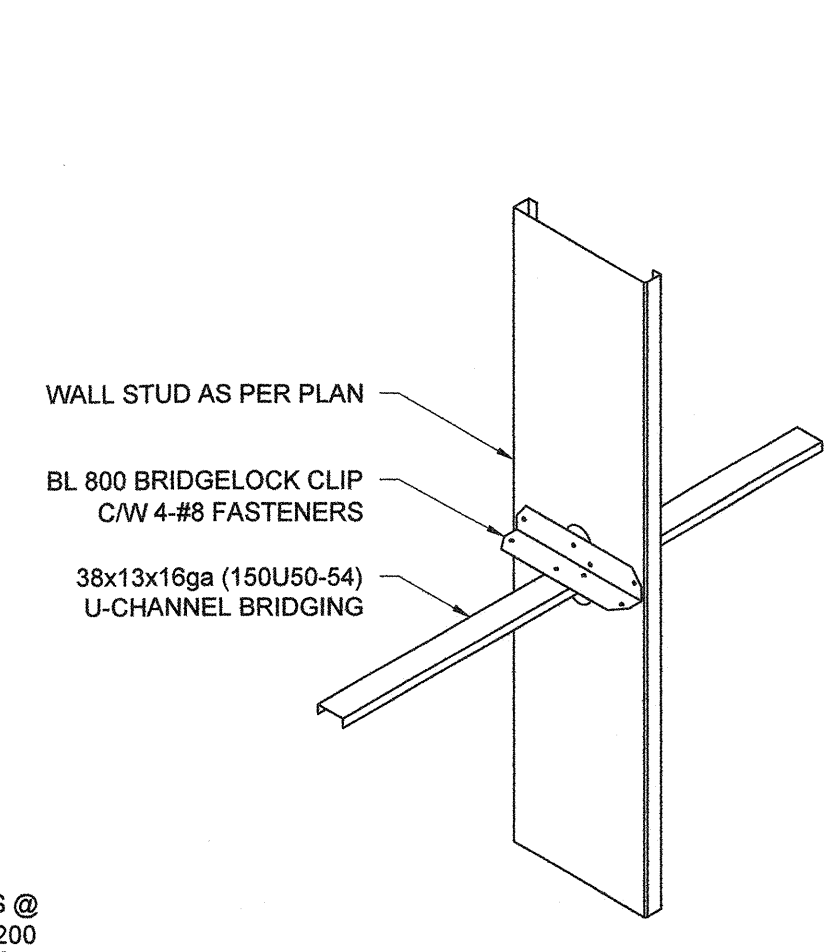
7 MASONRY WALL JOIST SUPPORT DETAIL
S3.1 SCALE: 1:10



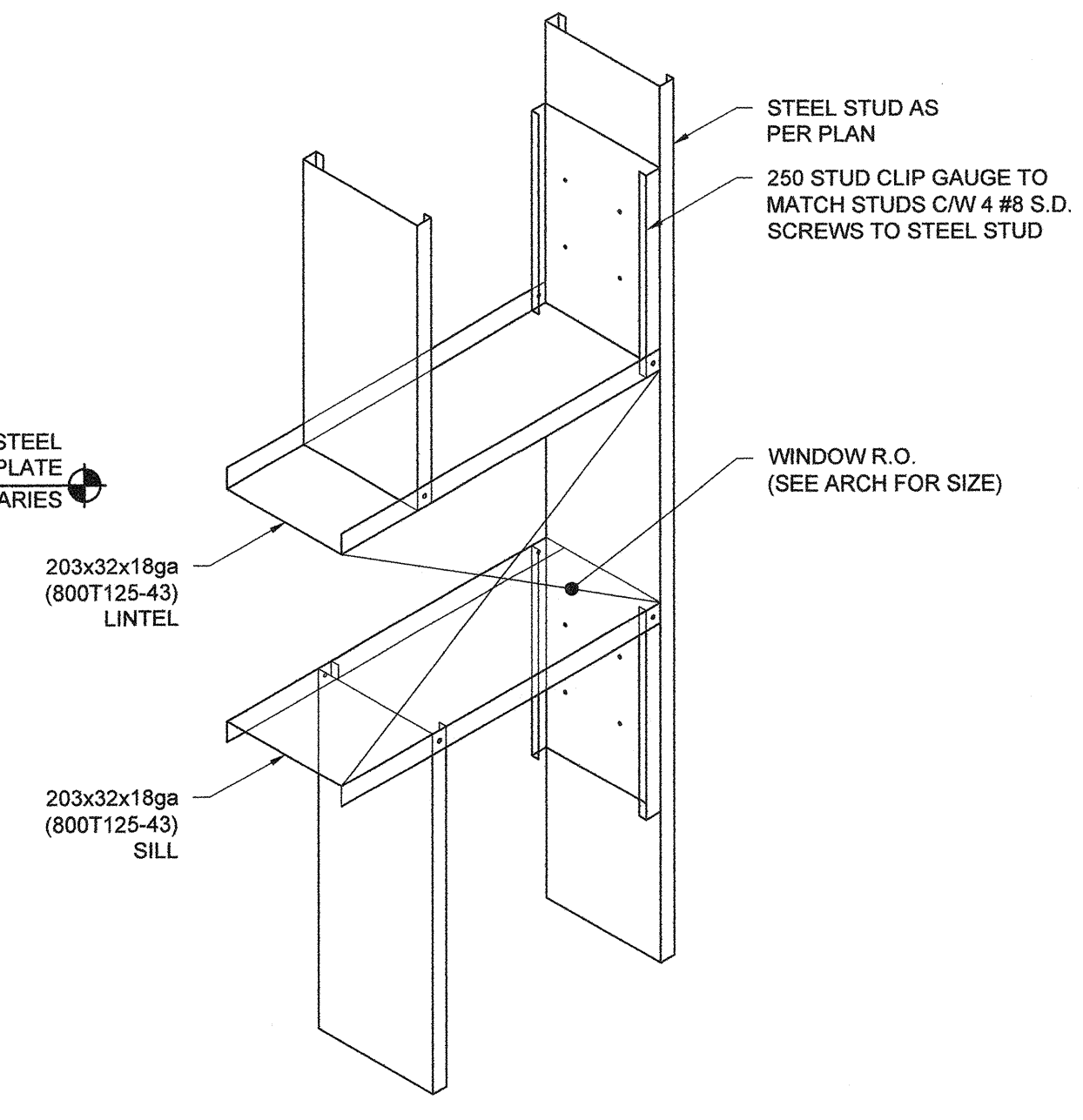
8 END FRAME JOIST SUPPORT DETAIL
S3.1 SCALE: 1:10



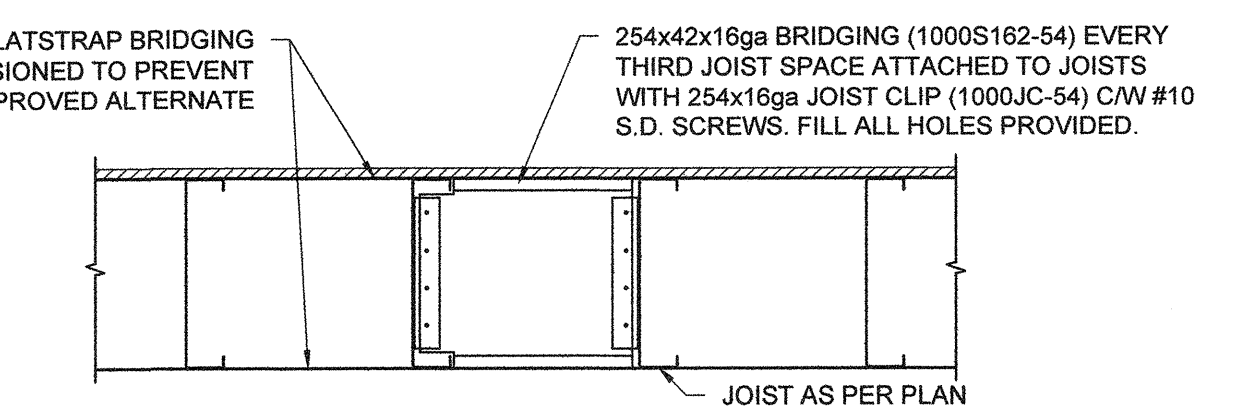
9 MID-BEAM JOIST SUPPORT DETAIL
S3.1 SCALE: 1:10



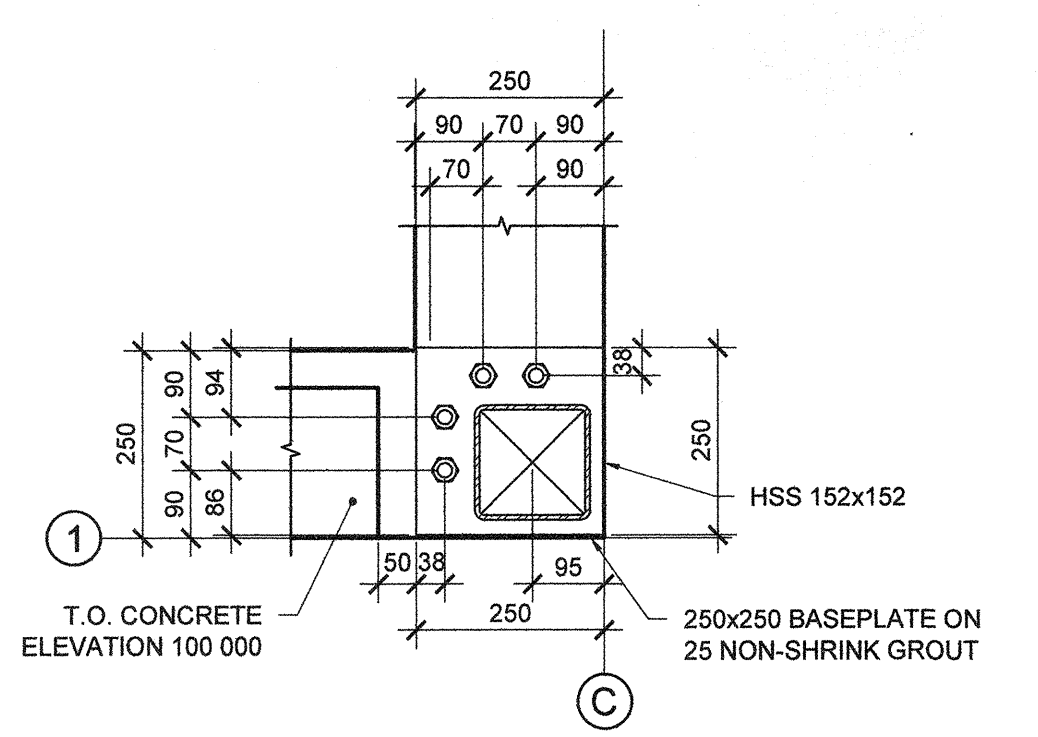
10 BRIDGING SUPPORT DETAIL
S3.1 SCALE: N.T.S.



11 TYPICAL LINTEL AND SILL DETAIL
S3.1 SCALE: N.T.S.



12 MID-SPAN JOIST BRIDGING DETAIL
S3.1 SCALE: N.T.S.



13 BASEPLATE DETAIL BP-2
S3.1 SCALE: 1:10

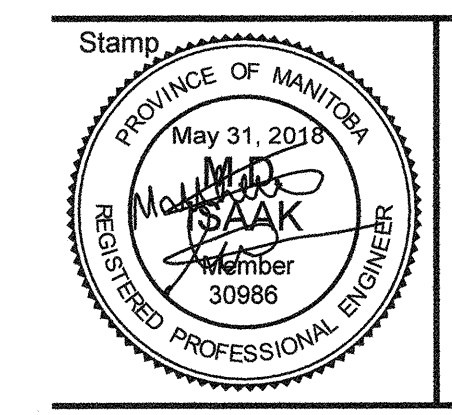


Revisions
Date Revision

Prime Consultant:
KNH
K.N.H. SAWATZKY & ASSOCIATES
STRUCTURAL ENGINEERING CONSULTANTS

100 - 128 James Avenue
Winnipeg, Manitoba, Canada
R3B 0H8
NORTHENSKY@compuserve.com
FAX: 204.956.7979
204.943.6767

Northern Sky Architecture Inc.



Stamp
- STRUCTURAL ONLY
- CONTACT ENGINEER AT (204)847-2550 WHEN INSPECTIONS ARE REQUIRED

Project
New La Barriere Park Washroom Project
La Barriere Park, Manitoba

APEGM
Certificate of Authorization
KNH Sawatzky & Associates Ltd.
No. 1193 Date: May 31, 2018

drawing title			
TYPICAL SECTIONS AND DETAILS			
scale	as noted	designed by	mi
date	May 2018	drawn by	cb
project no.	16.235	approved by	mi
bid opp. no.	436-2018	sheet	S3.1 REV.