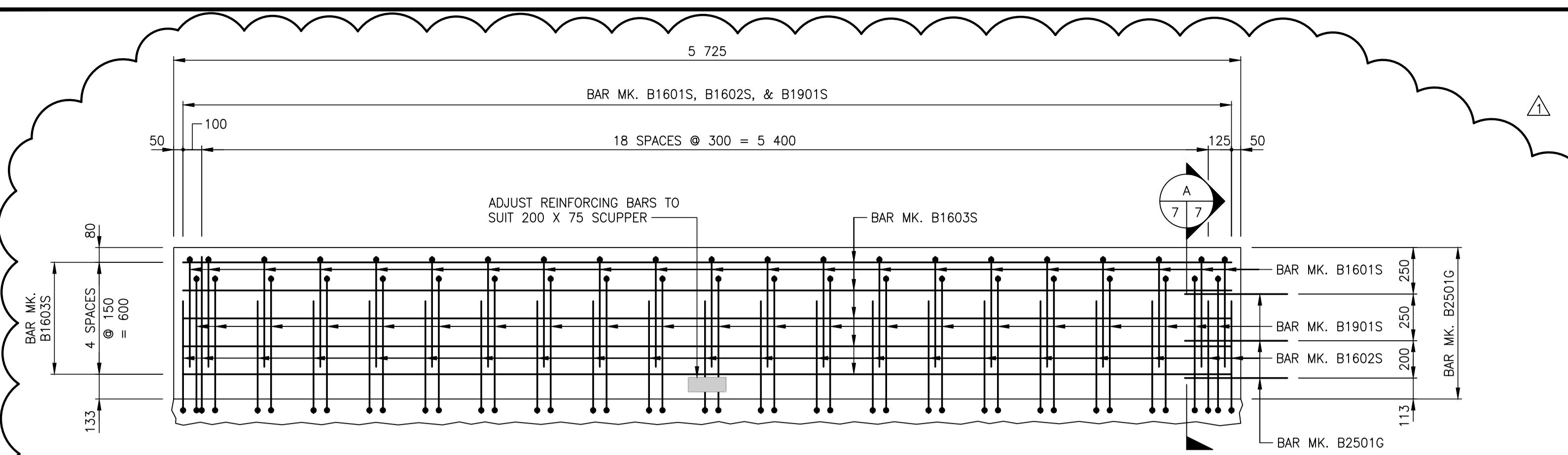
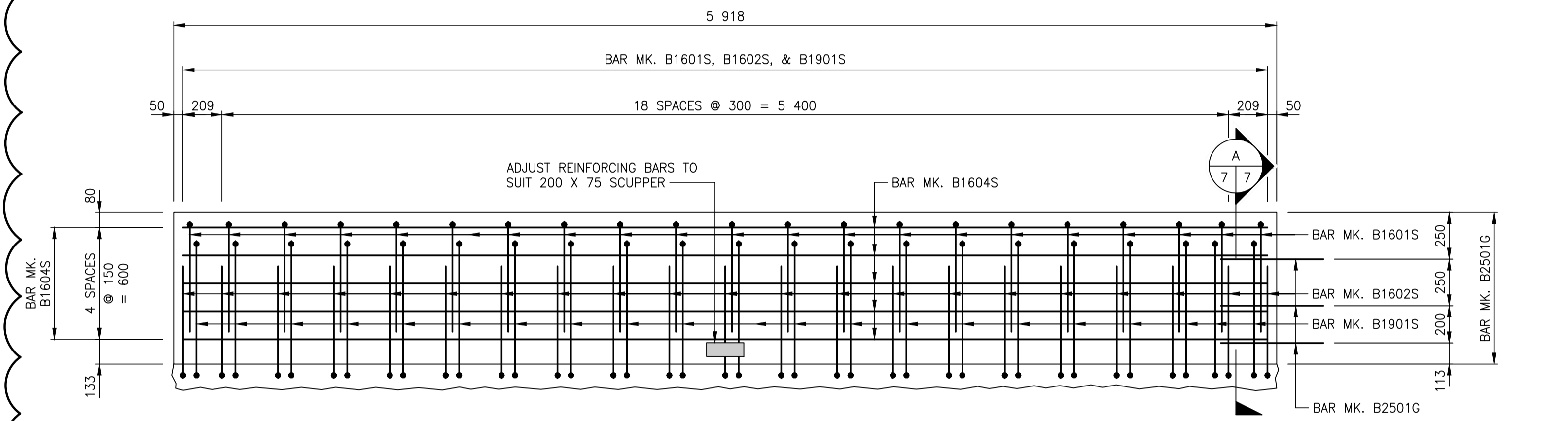


A1 SIZE (594 mm x 841 mm) | Layout: 7 Traffic Barrier Details (Sheet 2 of 3) | File: P:\2017\17m-02091-00 - professional computing services for chief peguis greenway extension from main street to henderson highway\WSP_DWG_Structural\17m-02091-00_CPT_Greenway_DD_06-08_concrete_barrier_details.dwg | Last saved by: potterinc | Date: 12/24/2017 1:20:52 PM | P:\2017\17m-02091-00 - professional computing services for chief peguis greenway extension from main street to henderson highway\WSP_DWG_Structural\17m-02091-00_CPT_Greenway_DD_06-08_concrete_barrier_details.dwg



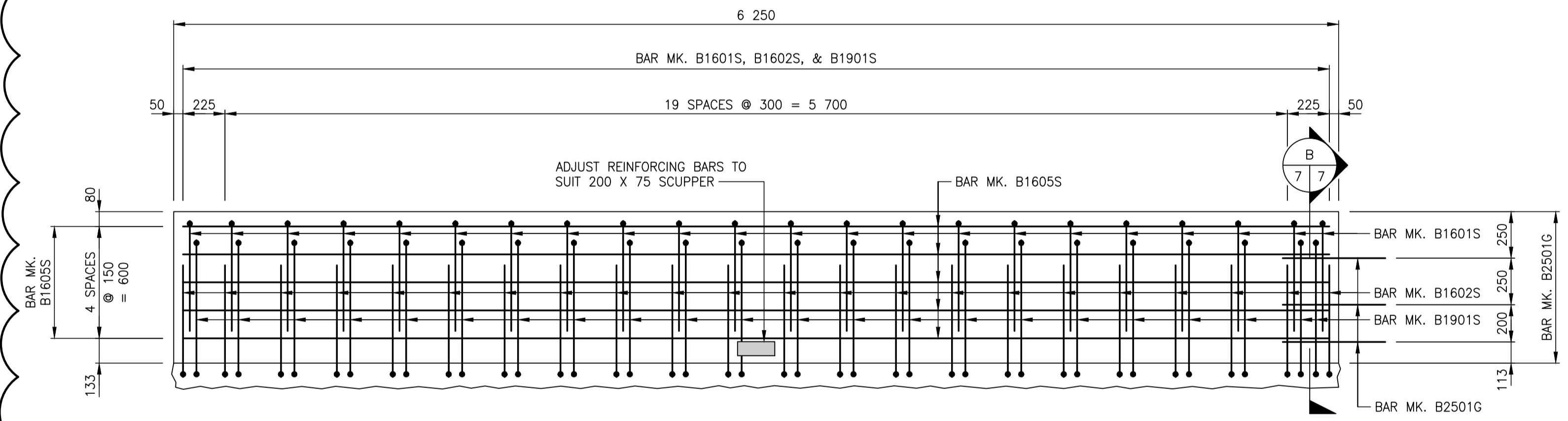
CONCRETE TRAFFIC BARRIER – TYPE "A"

SCALE 1:20



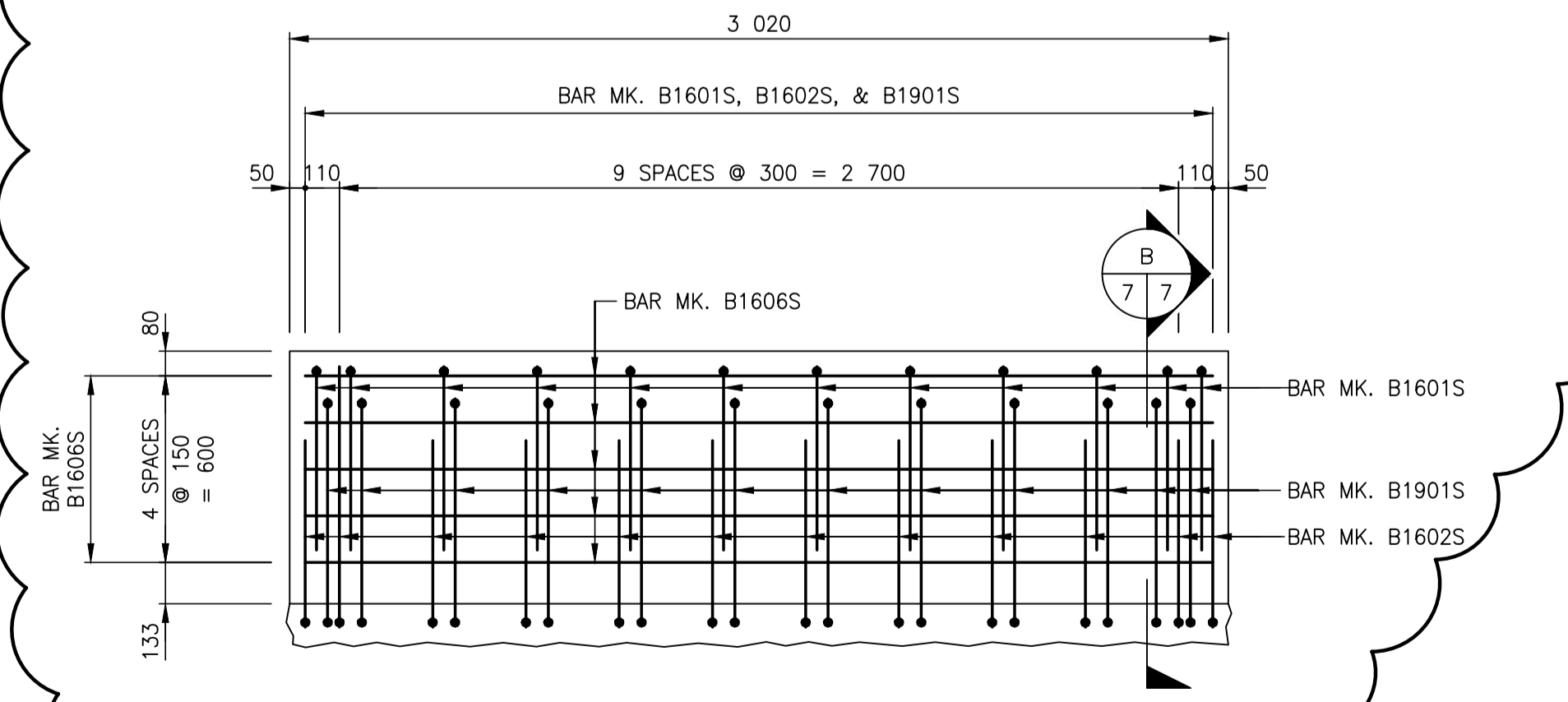
CONCRETE TRAFFIC BARRIER – TYPE "B"

SCALE 1:20



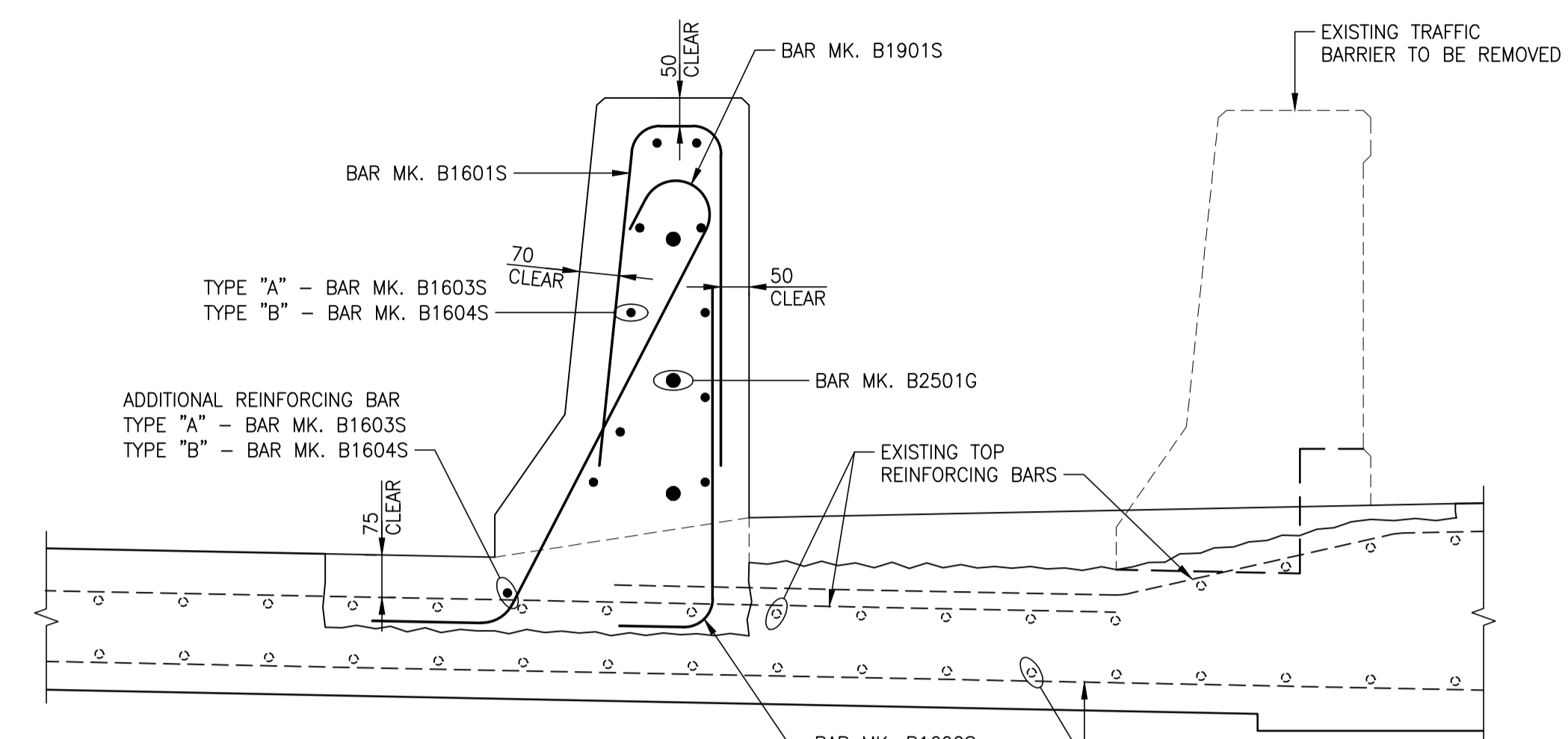
CONCRETE TRAFFIC BARRIER – TYPE "C"

SCALE 1:20



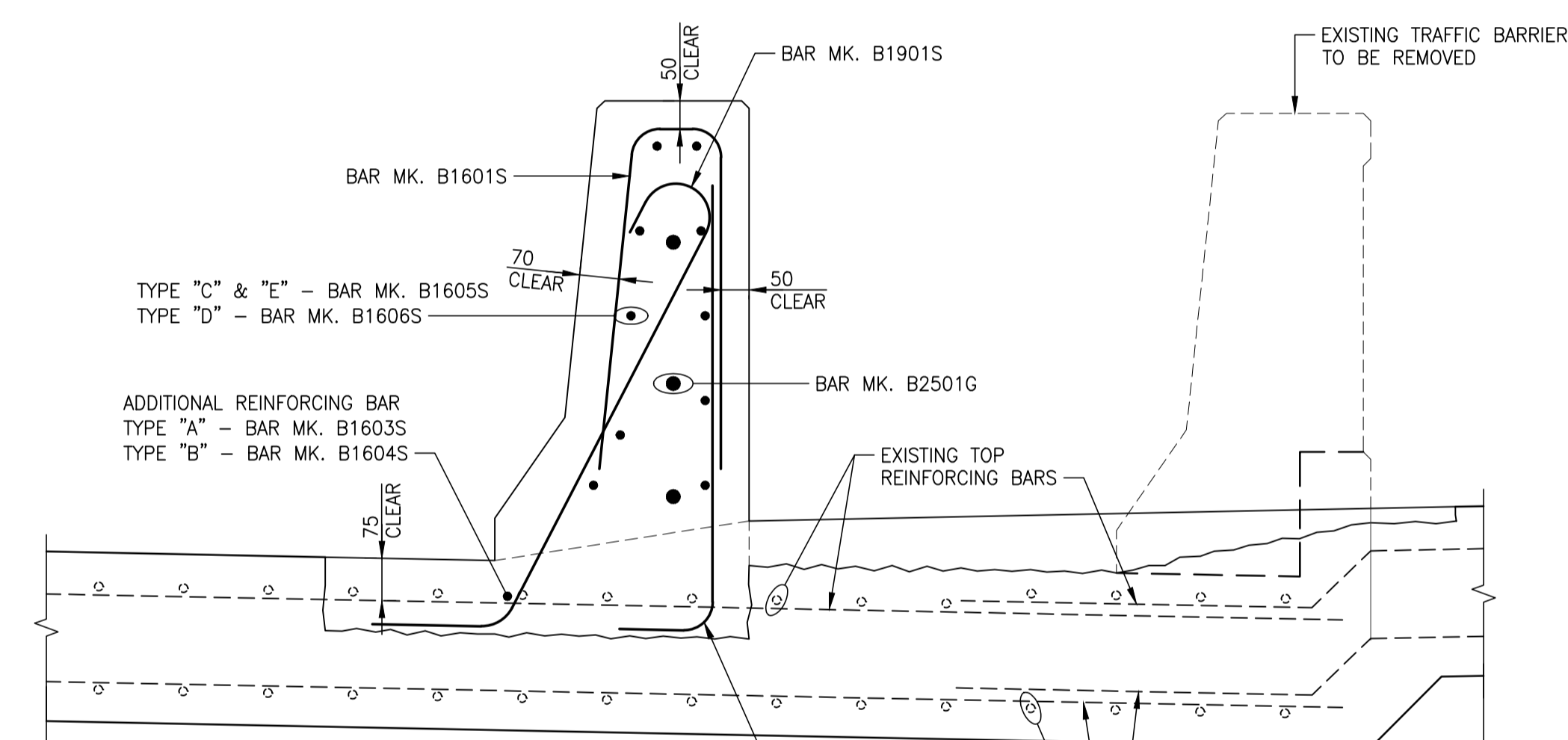
CONCRETE TRAFFIC BARRIER – TYPE "D"

SCALE 1:20



SECTION A

SCALE 1:10



SECTION B

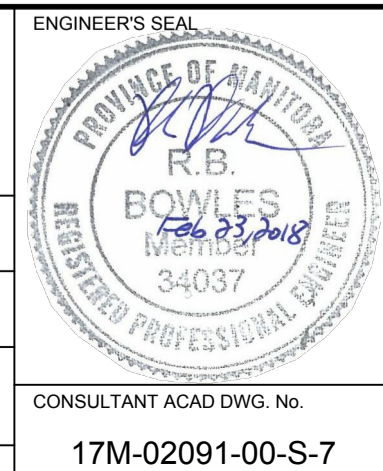
SCALE 1:10

NOTE
1. FOR BILL OF REINFORCING STEEL, SEE SHEET 22.

LOCATIONS APPROVED UNDERGROUND STRUCTURES	
SIGNED BY: SUPV U/G STRUCTURES	DATE
LOCATION OF UNDERGROUND STRUCTURES AS SHOWN ARE BASED ON THE BEST INFORMATION AVAILABLE BUT NO GUARANTEE IS GIVEN THAT ALL EXISTING UTILITIES ARE SHOWN OR THAT THE GIVEN LOCATIONS ARE EXACT. CONFIRMATION OF EXISTENCE AND EXACT LOCATION OF ALL SERVICES MUST BE OBTAINED FROM THE INDIVIDUAL UTILITIES BEFORE PROCEEDING.	

No.	REVISIONS	DATE	BY
1	ISSUED FOR ADDENDUM No. 2	18.03.02	JL
0	ISSUED FOR TENDER	18.02.23	JL

wsp		WSP Canada Group Limited 93 Lombard Avenue, Suite 111 Winnipeg MB R3B 3B1 T+ 1 204-943-3178 F+ 1 204-943-4948 www.wsp.com	
DESIGNED BY	BB	CHECKED BY	WC
DRAWN BY	FD	APPROVED BY	JL
HOR. SCALE	AS NOTED	RELEASED FOR CONSTRUCTION	
VERTICAL	AS NOTED		
DATE	18.02.23	DATE	



METRIC
WHOLE NUMBERS INDICATE MILLIMETRES
DECIMALIZED NUMBERS INDICATE METRES

THE CITY OF WINNIPEG
PUBLIC WORKS DEPARTMENT
ENGINEERING DIVISION

Winnipeg

CHIEF PEGUIS TRAIL - GREENWAY EXTENSION
KILDONAN SETTLERS BRIDGE MODIFICATIONS

Traffic Barrier Details (Sheet 2 of 3)

CITY DRAWING NUMBER	B216-18-07
SHEET	7 OF 26
BID OPPORTUNITY NUMBER	4-2018

NOTE: These design documents are prepared solely for the use by the party with whom the design professional has entered into a contract and there are no representations of any kind made by the design professional to any party with whom the design professional has not entered into a contract.