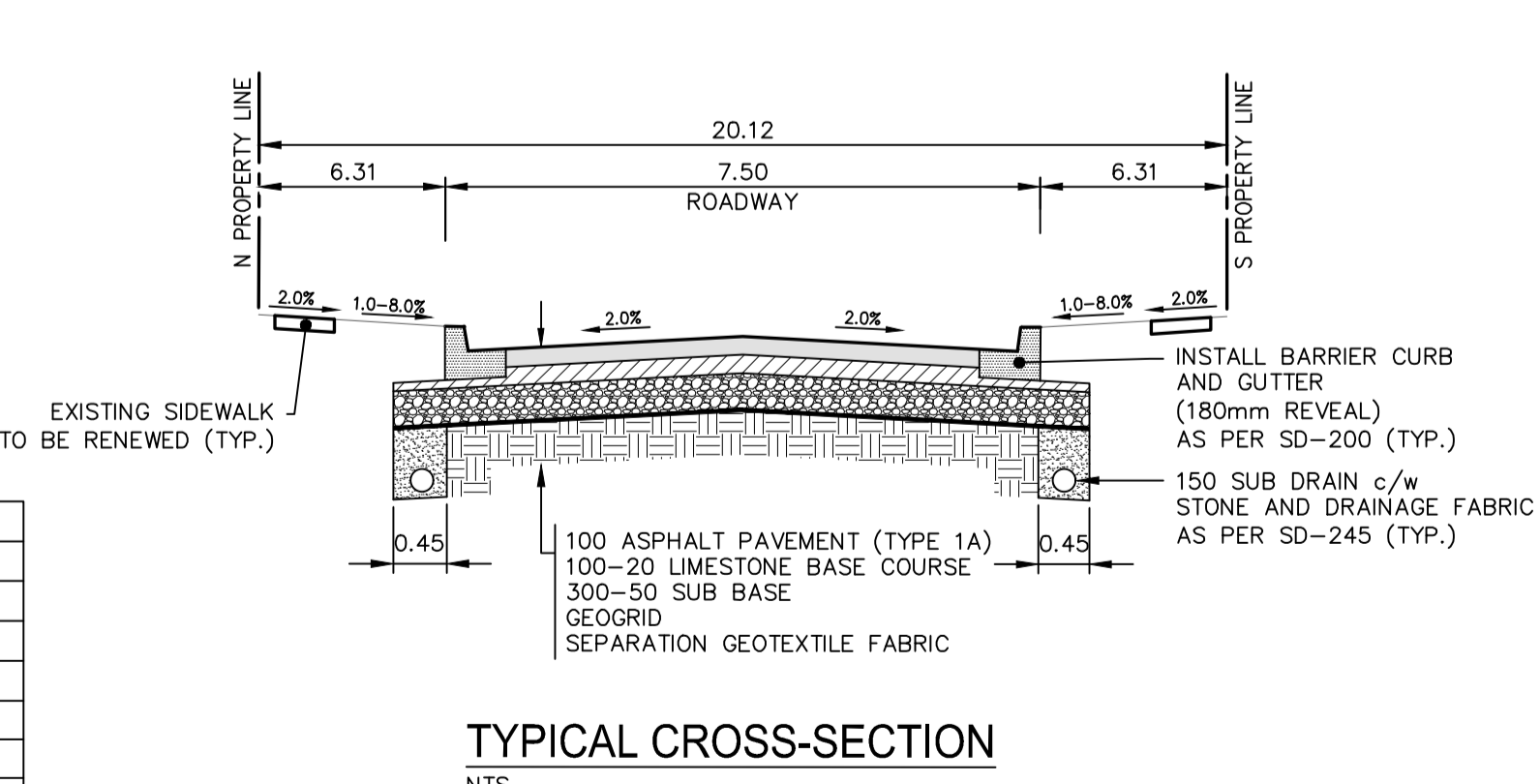


EXISTING	PROPOSED	EXISTING	PROPOSED	EXISTING	PROPOSED
WATER MAIN	---	W	---	IRON BAR	---
LAND DRAINAGE SEWER	---	L	---	HYDRO POLE & LIGHT STANDARD	---
WASTE WATER SEWER	---	W	---	LIGHT STANDARD OR TRAFFIC SIGNAL	---
HYDRO	---	H	---	HYDRO POLE	---
M.T.S.	---	M	---	CURB RAMP	---
GAS	---	G	---	DETECTABLE WARNING SURFACE TILE	---
SIGNALS	---	S	---	EDGE OF SIDEWALK	---
MANHOLE	---	M	---	FENCE	---
CATCH BASIN	---	C	---	PROPERTY LINE	---
CURB INLET	---	I	---	EDGE OF ASPHALT	---
UTILITIES ADJUSTED	---	A	---	EDGE OF CONCRETE	---
PLUG	---	P	---	MODIFIED BARRIER CURB	---
HYDRANT	---	H	---	BARRIER CURB	---
VALVE	---	V	---	BARRIER CURB AND GUTTER	---
CURB STOP	---	S	---	CONC SIDEWALK	---
GROUND GRADE	---	G	---	CONCRETE SLAB	---
(31.00) PAVEMENT GRADE	---	P	---	ASPHALT	---
ANCHOR	---	A	---	MILLED SURFACE	---
#111 CIVIC ADDRESS	---	C	---	ASPHALT JOINT REPAIR	---
EXISTING LEGEND-PLAN	---	---	---	PROPOSED LEGEND-PROFILE	---



- NOTES:
- ALL WORK AND MATERIALS TO BE IN ACCORDANCE WITH THE LATEST REVISION OF THE CITY OF WINNIPEG STANDARD CONSTRUCTION SPECIFICATIONS.
 - CONTRACTOR TO CONFIRM THE LOCATION OF ALL UTILITIES/SERVICES IN THE FIELD PRIOR TO CONSTRUCTION.
 - ALL ROADWAY DIMENSIONS SHOWN ARE TO BACK OF CURB.
 - ADD 200.00 TO ABBREVIATED ELEVATIONS TO OBTAIN GEODETIC ELEVATION.
 - RENEW CURB AND SIDEWALK AS IDENTIFIED BY CONTRACT ADMINISTRATOR.
 - ALL PRIVATE WALKWAYS TO BE ADJUSTED TO NEW SIDEWALK OR TOP OF CURB ELEVATION, AS REQUIRED.
 - ADJUST MH FRAMES, CB RIMS, AND VALVES TO NEW GRADES, AS REQUIRED.
 - MODIFIED BARRIER CURB TO BE CONSTRUCTED AT ALL INTERSECTION RADI AND BACK LANE RADI.
 - INSTALL 40mm LIP CURB THROUGH ALL RESIDENTIAL APPROACHES.
 - ALL EXISTING LONG WATER SERVICES TO BE INSULATED AS PER SD-018 (AS REQUIRED).
 - LAMP STANDARDS, HYDRO POLES, AND ANCHORS THAT REQUIRE TEMPORARY SUPPORT, REMOVAL OR REPLACEMENT, TO BE DONE SO AT THE EXPENSE OF THE CONTRACTOR AS NECESSARY.
 - CONTRACTORS TO TAKE PRECAUTIONARY STEPS TO PROTECT EXISTING TREES WITHIN THE LIMITS OF CONSTRUCTION FROM DAMAGE FROM CONSTRUCTION ACTIVITIES AS OUTLINED IN THE SPECIFICATIONS.
 - ALL BOULEVARDS TO BE SODDED UNLESS OTHERWISE NOTED. LIMITS TO BE IDENTIFIED IN THE FIELD BY THE CONTRACT ADMINISTRATOR.
 - CONTRACTOR TO MATCH ALL EDGING ON EXISTING CONCRETE DRIVEWAYS.
 - ADJUST ALL WATER VALVES, HYDRANTS, MANHOLES, AND CATCH BASINS IN WORK AREA TO GRADE.

LOCATIONS APPROVED UNDERGROUND STRUCTURES

SIGNED BY: _____ DATE: _____

LOCATION OF UNDERGROUND STRUCTURES AS SHOWN ARE BASED ON THE BEST INFORMATION AVAILABLE BUT NO GUARANTEE IS GIVEN THAT ALL EXISTING UTILITIES ARE SHOWN OR THAT THE GIVEN LOCATIONS ARE EXACT CONFIRMATION OF EXISTANCE AND EXACT LOCATION OF ALL SERVICES MUST BE OBTAINED FROM THE INDIVIDUAL UTILITIES BEFORE PROCEEDING

NO.	REVISIONS	DATE	BY

wsp

WSP Canada Inc
Suite 111 - 93 Lombard Ave
Winnipeg, MB R3B 3B1
t. 204.943.3178
f. 204.943.4948
www.wsp.com

DESIGNED BY: MCW
CHECKED BY: VM/SM

DRAWN BY: HK
APPROVED BY: VM

HOR. SCALE: 1:250
VERTICAL: 1:10

ISSUED FOR TENDER: 2018-03-05 VM
ISSUED FOR UNDERGROUND STRUCTURES REVIEW: 2018-02-28 VM
ISSUED FOR CLIENT REVIEW: 2018-02-05 VM

NO. REVISIONS DATE BY

2017-11-20

PRELIMINARY NOT FOR CONSTRUCTION

METRIC
WHOLE NUMBERS INDICATE MILLIMETRES
DECIMALIZED NUMBERS INDICATE METRES

ENGINEERS GEOSCIENTISTS MANITOBA
Certificate of Authorization
WSP Canada Group Limited
No. 6657

THE CITY OF WINNIPEG
PUBLIC WORKS DEPARTMENT
ENGINEERING SERVICES DIVISION

2018 LOCAL STREET RENEWAL PROGRAM

BERESFORD AVENUE
DALY STREET SOUTH TO OSBORNE STREET

PAVEMENT RECONSTRUCTION
STA. 0+93.93 TO STA. 2+40

CITY DRAWING NUMBER: ---
SHEET 13 OF 20
BID NO. 32-2018

CONSULTANT ACAD DWG. NO. 17M-02167-00-C-13