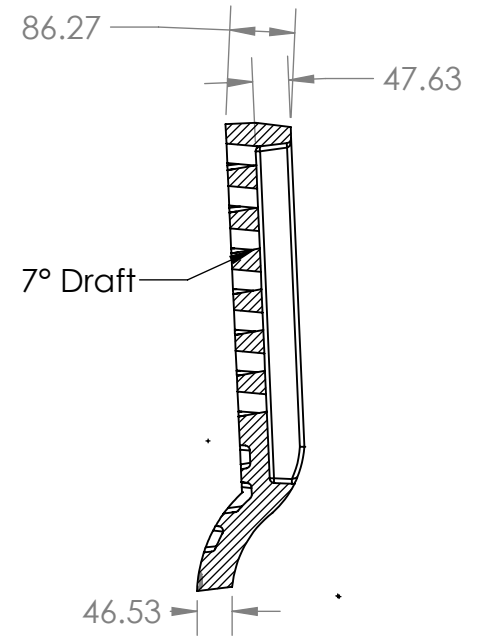
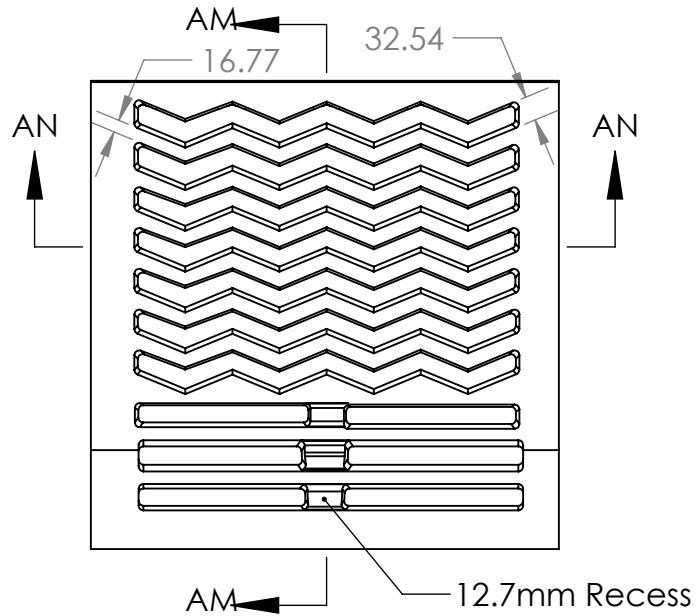
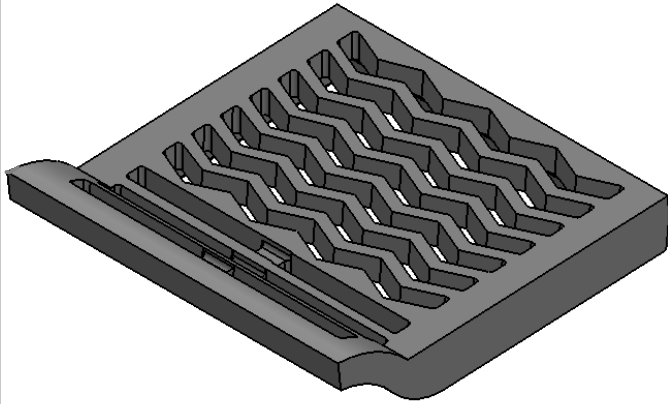


APPENDIX 'B'

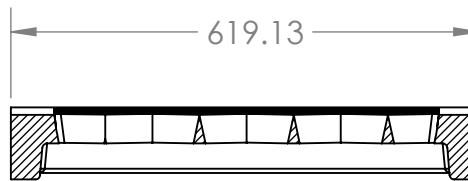
MOUTABLE CURB AND GUTTER INLET PAVING GRATE



NOTES:

ALL TOLERANCES ARE +/- 1/16" UNLESS OTHERWISE SPECIFIED

ESTIMATED WEIGHT -196 LBS



D&L FOUNDRY, INC.
"THE IRON MEN"
 MADE IN THE USA

THE INFORMATION CONTAINED IN THIS DRAWING IS THE SOLE PROPERTY OF D&L FOUNDRY. ANY REPRODUCTION IN PART OR AS A WHOLE WITHOUT THE WRITTEN PERMISSION OF D&L FOUNDRY IS PROHIBITED.

D&L PART NUMBER
TF-102

DRAWN BY: Mike Kask
DATE: 5-6-13

REVISIONS

NO.	DATE	DESCRIPTION

REFERENCE INFORMATION

**GRAY IRON CONFORMS TO
 ASTM A48 CL35B**

CATALOG NUMBER

COVER	COVER
COPE: XXXX	COPE: XXXX
DRAG: XXXX	DRAG: XXXX

DESIGNATES MACHINED SURFACE