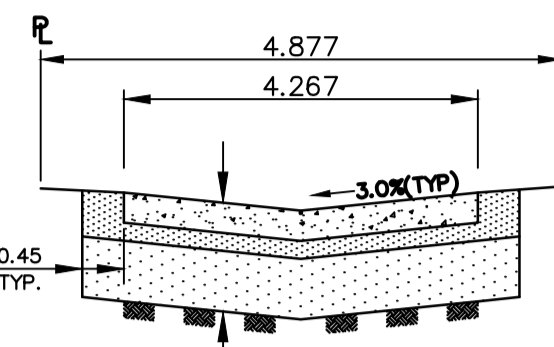
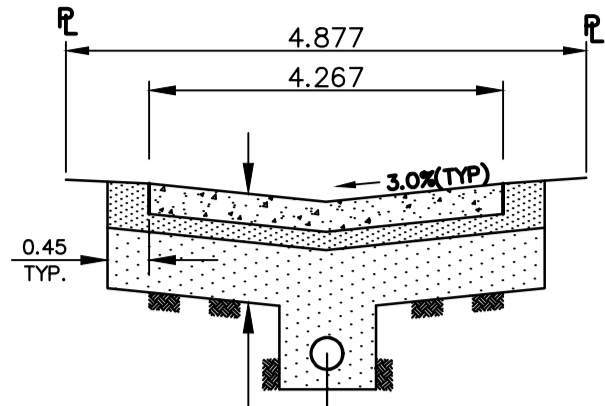


REFERENCE SPECIFICATIONS
 1. SUB-GRADE, SUB-BASE AND BASE MATERIAL SHALL BE SUPPLIED AND PLACED IN ACCORDANCE WITH CW-3110
 2. INSTALLATION OF SUBDRAINS SHALL BE IN ACCORDANCE WITH CW-3120
 3. DRAINAGE GEOTEXTILE FABRIC AND DRAINAGE PIPE SHALL CONFORM TO "APPROVED PRODUCTS FOR SURFACE WORKS"

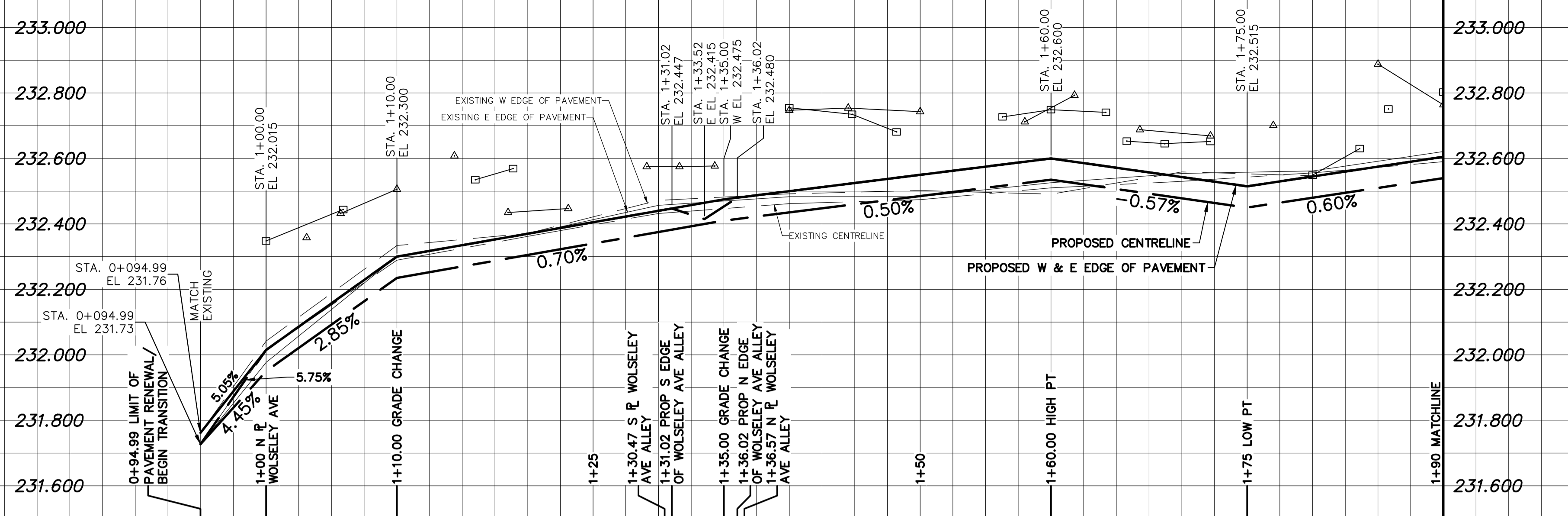
TYPICAL ALLEY SUBDRAIN DETAIL
 SCALE: N.T.S.



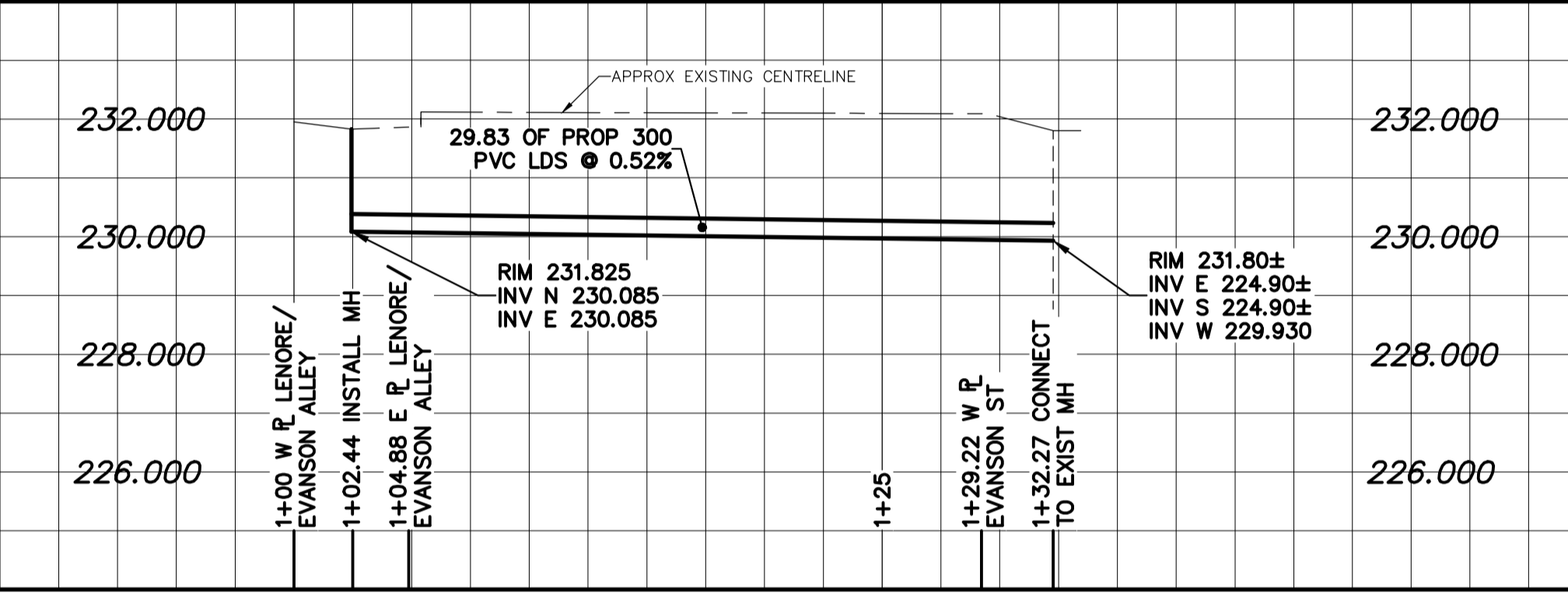
TYPICAL ALLEY CROSS SECTION
 SCALE: N.T.S.



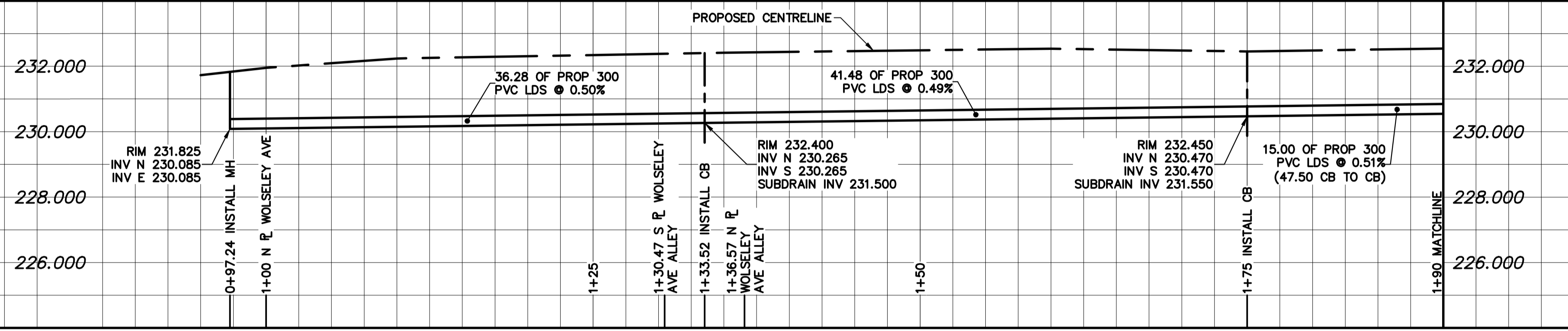
TYPICAL ALLEY CROSS SECTION WITH SUBDRAIN
 SCALE: N.T.S.



ALLEY PAVEMENT PROFILE
 SCALE: 1:250 HOR, 1:10 VER



LAND DRAINAGE SEWER PROFILE
 SCALE: 1:250 HOR, 1:100 VER

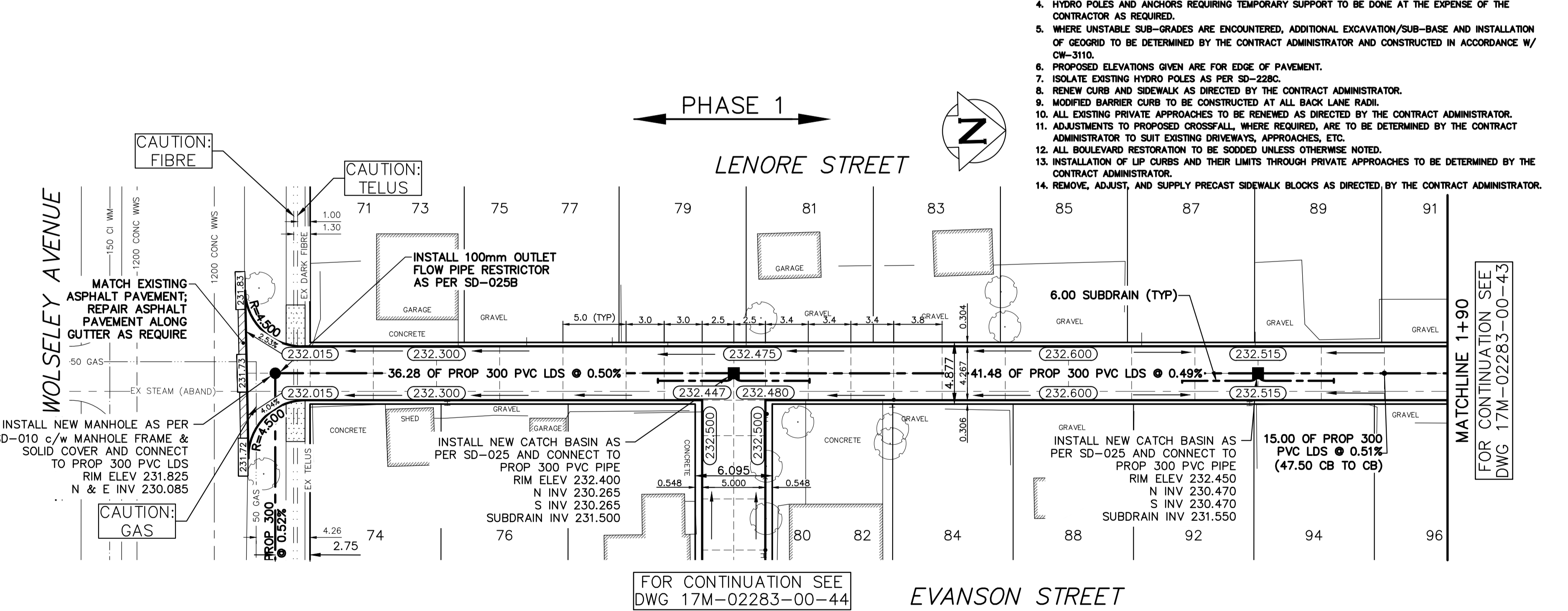
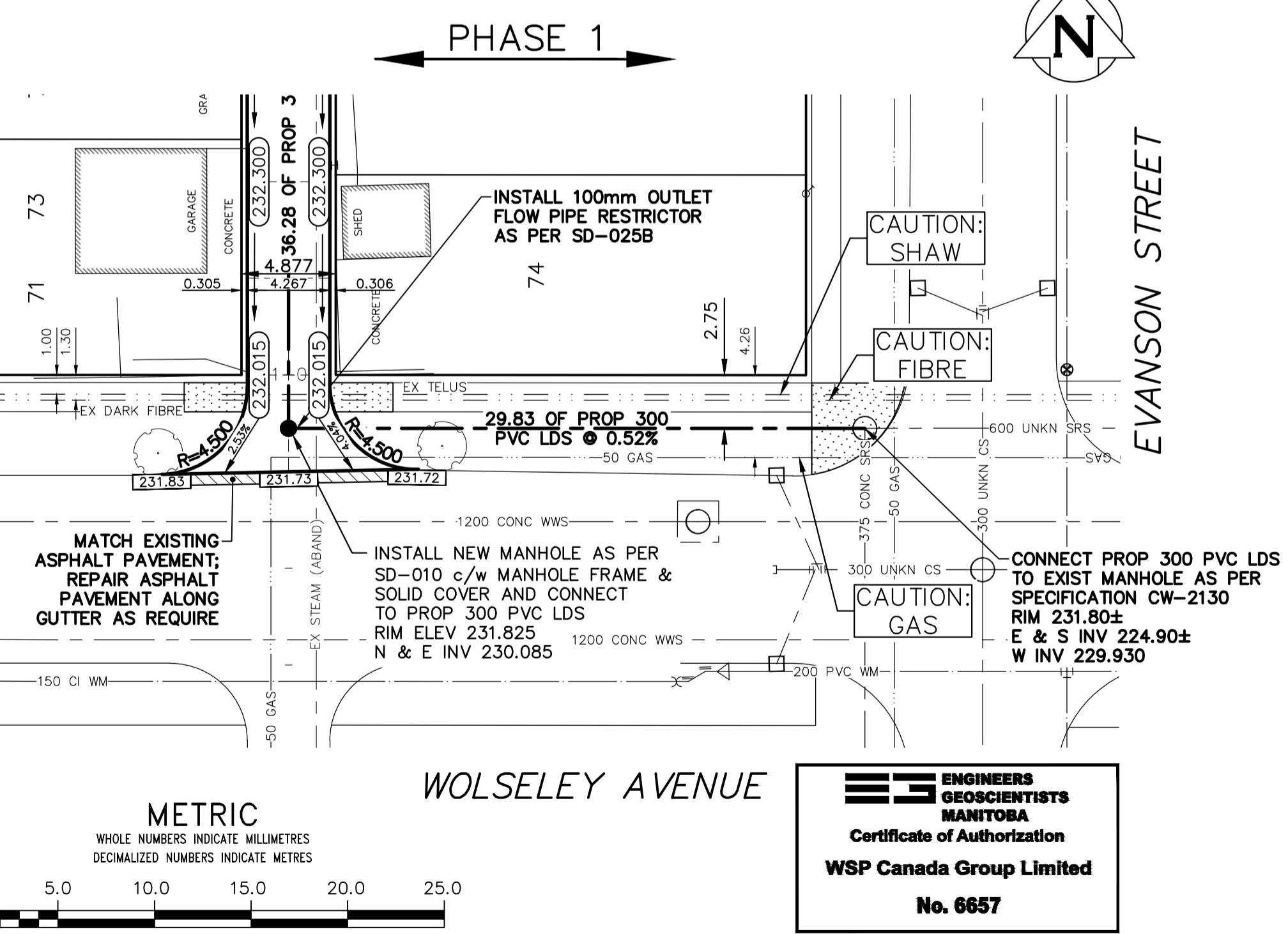


LAND DRAINAGE SEWER PROFILE
 SCALE: 1:250 HOR, 1:100 VER

THERE SHALL BE NO INCREASE IN CUMULATIVE PEAK FLOW ENTERING CS AND/OR SRS SYSTEMS AS A RESULT OF CONSTRUCTION WORKS SHOWN.

NOTE: CHAINAGES SHOWN ARE ALONG C/L OF RIGHT-OF-WAY

- NOTES:
1. ALL WORK AND MATERIALS TO BE IN ACCORDANCE WITH THE LATEST REVISION OF THE CITY OF WINNIPEG STANDARD CONSTRUCTION SPECIFICATION.
 2. CONTRACTOR TO CONFIRM THE LOCATION OF ALL UTILITIES/SERVICES IN THE FIELD PRIOR TO CONSTRUCTION.
 3. CONTRACTOR TO AVOID DAMAGE TO EXISTING TREES WITHIN THE LIMITS OF THE ALLEY RIGHT OF WAY AS OUTLINED IN THE BID OPPORTUNITY.
 4. HYDRO POLES AND ANCHORS REQUIRING TEMPORARY SUPPORT TO BE DONE AT THE EXPENSE OF THE CONTRACTOR AS REQUIRED.
 5. WHERE UNSTABLE SUB-GRADES ARE ENCOUNTERED, ADDITIONAL EXCAVATION/SUB-BASE AND INSTALLATION OF GEOTRID TO BE DETERMINED BY THE CONTRACT ADMINISTRATOR AND CONSTRUCTED IN ACCORDANCE W/ CW-3110.
 6. PROPOSED ELEVATIONS GIVEN ARE FOR EDGE OF PAVEMENT.
 7. ISOLATE EXISTING HYDRO POLES AS PER SD-228C.
 8. REINVENT CURB AND SIDEWALK AS DIRECTED BY THE CONTRACT ADMINISTRATOR.
 9. MODIFIED BARRIER CURB TO BE CONSTRUCTED AT ALL BACK LANE RADI.
 10. ALL EXISTING PRIVATE APPROACHES TO BE RENEWED AS DIRECTED BY THE CONTRACT ADMINISTRATOR.
 11. ADJUSTMENTS TO PROPOSED CROSSFALL, WHERE REQUIRED, ARE TO BE DETERMINED BY THE CONTRACT ADMINISTRATOR TO SUIT EXISTING DRIVEWAYS, APPROACHES, ETC.
 12. ALL BOULEVARD RESTORATION TO BE SODDED UNLESS OTHERWISE NOTED.
 13. INSTALLATION OF LIP CURBS AND THEIR LIMITS THROUGH PRIVATE APPROACHES TO BE DETERMINED BY THE CONTRACT ADMINISTRATOR.
 14. REMOVE, ADJUST, AND SUPPLY PRECAST SIDEWALK BLOCKS AS DIRECTED BY THE CONTRACT ADMINISTRATOR.



ENGINEERS
 GEOSCIENTISTS
 MANITOBA
 Certificate of Authorization
 WSP Canada Group Limited
 No. 6657

EXISTING	LEGEND - PLAN	PROPOSED	EXISTING	LEGEND - PLAN	PROPOSED	EXISTING	LEGEND - PROFILE	PROPOSED
---	WATERMAIN	---	---	M.T.S.	---	---	---	---
---	HYDRANT	---	---	CONCRETE/ASPHALT	---	---	---	---
---	VALVE	---	---	SIDEWALK	---	---	---	---
---	CURB STOP	---	---	CURB RAMP	---	---	---	---
---	LAND DRAINAGE SEWER	---	---	ELEVATIONS	---	---	---	---
---	WASTE WATER SEWER	---	---	PROPERTY LINE	---	---	---	---
---	CB LEAD	---	---	SURVEY BAR	---	---	---	---
---	MANHOLE	---	---	HYDRO POLE	---	---	---	---
---	CATCH BASIN	---	---	STREET LIGHT	---	---	---	---
---	GAS	---	---	JOINTS	---	---	---	---
---	HYDRO	---	---	ASPHALT REPAIR	---	---	---	---

LOCATION APPROVED UNDERGROUND STRUCTURES

SUPV.	U/G	STRUCTURES	DATE
---	---	---	---

NOTE:
 LOCATION OF UNDERGROUND STRUCTURES AS SHOWN ARE BASED ON THE BEST INFORMATION AVAILABLE BUT NO GUARANTEE IS GIVEN THAT THE EXISTING UTILITIES ARE SHOWN OR THAT THE GIVEN LOCATIONS ARE EXACT. CONFIRMATION OF EXISTENCE AND EXACT LOCATION OF ALL SERVICES MUST BE OBTAINED FROM THE INDIVIDUAL UTILITIES BEFORE PROCEEDING WITH CONSTRUCTION.

NO.	REVISIONS	DATE	BY
---	---	---	---

DESIGNED BY: K.G.
 CHECKED BY: R.H.
 DRAWN BY: D.R./K.G.
 APPROVED BY: S.M.
 HOR. SCALE: 1:250
 VERT. SCALE: AS SHOWN
 JANUARY 2018

NOT FOR CONSTRUCTION
 CONSULTANT DRAWING NO. 17M-02283-00-42

Winnipeg THE CITY OF WINNIPEG PUBLIC WORKS DEPARTMENT
 2018 ALLEY RENEWALS
 LENORE ST / EVANSON ST ALLEY
 FROM WOLSELEY AVENUE TO STA 1+90
 CONCRETE PAVEMENT

CITY DRAWING NO. SHEET 1 OF 3
 BID OPPORTUNITY 29-2018