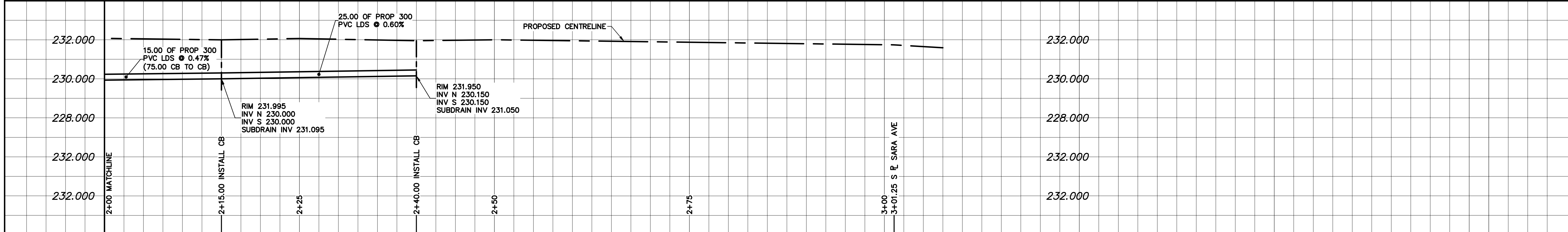


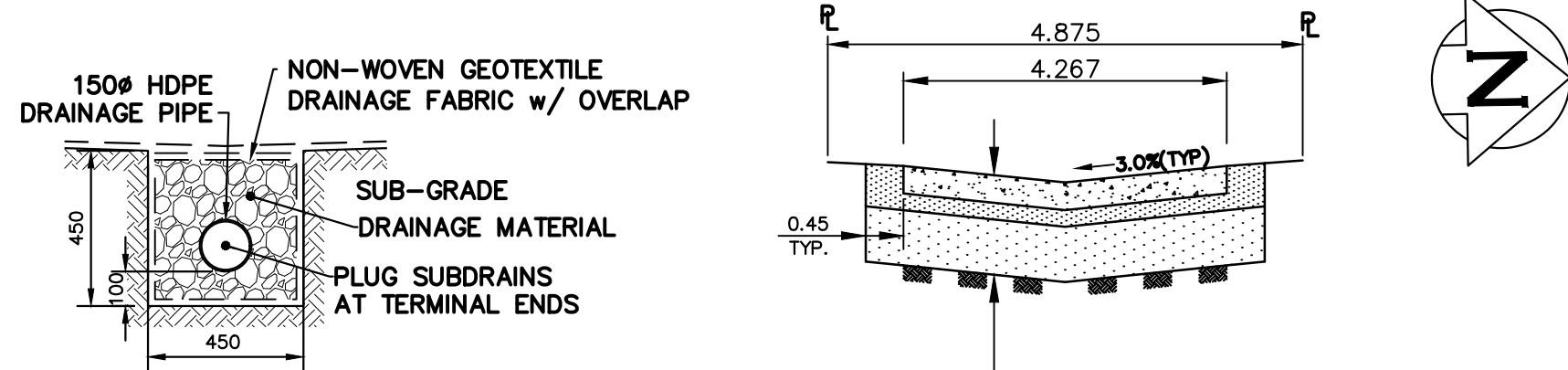
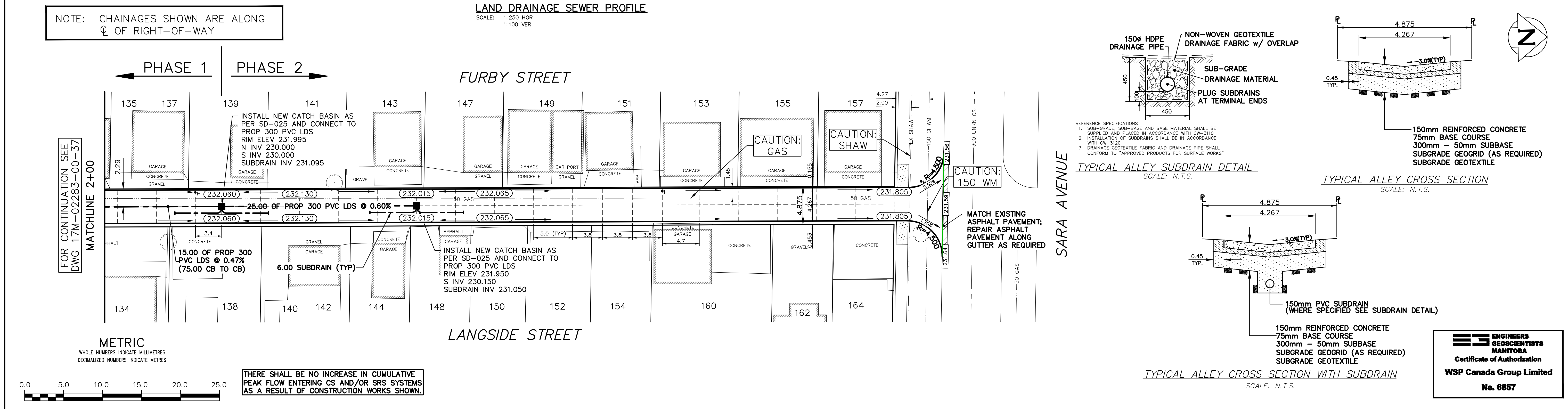
- NOTES:**
1. ALL WORK AND MATERIALS TO BE IN ACCORDANCE WITH THE LATEST REVISION OF THE CITY OF WINNIPEG STANDARD CONSTRUCTION SPECIFICATION.
 2. CONTRACTOR TO CONFIRM THE LOCATION OF ALL UTILITIES/SERVICES IN THE FIELD PRIOR TO CONSTRUCTION.
 3. CONTRACTOR TO AVOID DAMAGE TO EXISTING TREES WITHIN THE LIMITS OF THE ALLEY RIGHT OF WAY AS OUTLINED IN THE BID OPPORTUNITY.
 4. HYDRO POLES AND ANCHORS REQUIRING TEMPORARY SUPPORT TO BE DONE AT THE EXPENSE OF THE CONTRACTOR AS REQUIRED.
 5. WHERE UNSTABLE SUB-BASES ARE ENCOUNTERED, ADDITIONAL EXCAVATION/SUB-BASE AND INSTALLATION OF GEOTRID TO BE DETERMINED BY THE CONTRACT ADMINISTRATOR AND CONSTRUCTED IN ACCORDANCE W/ CW-310.
 6. PROPOSED ELEVATIONS GIVEN ARE FOR EDGE OF PAVEMENT.
 7. ISOLATE EXISTING HYDRO POLES AS PER SD-228C.
 8. RENEW CURB AND SIDEWALK AS DIRECTED BY THE CONTRACT ADMINISTRATOR.
 9. MODIFIED BARRIER CURBS TO BE CONSTRUCTED AT ALL BACK LANE RADI.
 10. ALL EXISTING PRIVATE APPROACHES TO BE RENEWED AS DIRECTED BY THE CONTRACT ADMINISTRATOR.
 11. ADJUSTMENTS TO PROPOSED CROSSFALL, WHERE REQUIRED, ARE TO BE DETERMINED BY THE CONTRACT ADMINISTRATOR TO SUIT EXISTING DRIVEWAYS, APPROACHES, ETC.
 12. ALL BOULEVARD RESTORATION TO BE SODDED UNLESS OTHERWISE NOTED.
 13. INSTALLATION OF LIP CURBS AND THEIR LIMITS THROUGH PRIVATE APPROACHES TO BE DETERMINED BY THE CONTRACT ADMINISTRATOR.
 14. REMOVE, ADJUST, AND SUPPLY PRECAST SIDEWALK BLOCKS AS DIRECTED BY THE CONTRACT ADMINISTRATOR.

ALLEY PAVEMENT PROFILE
SCALE: 1:250 HOR
1:10 VER



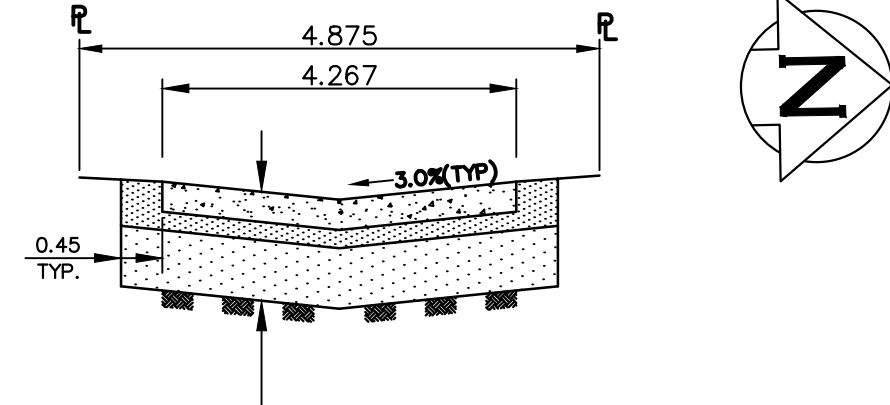
LAND DRAINAGE SEWER PROFILE
SCALE: 1:250 HOR
1:100 VER

NOTE: CHAINAGES SHOWN ARE ALONG Q OF RIGHT-OF-WAY



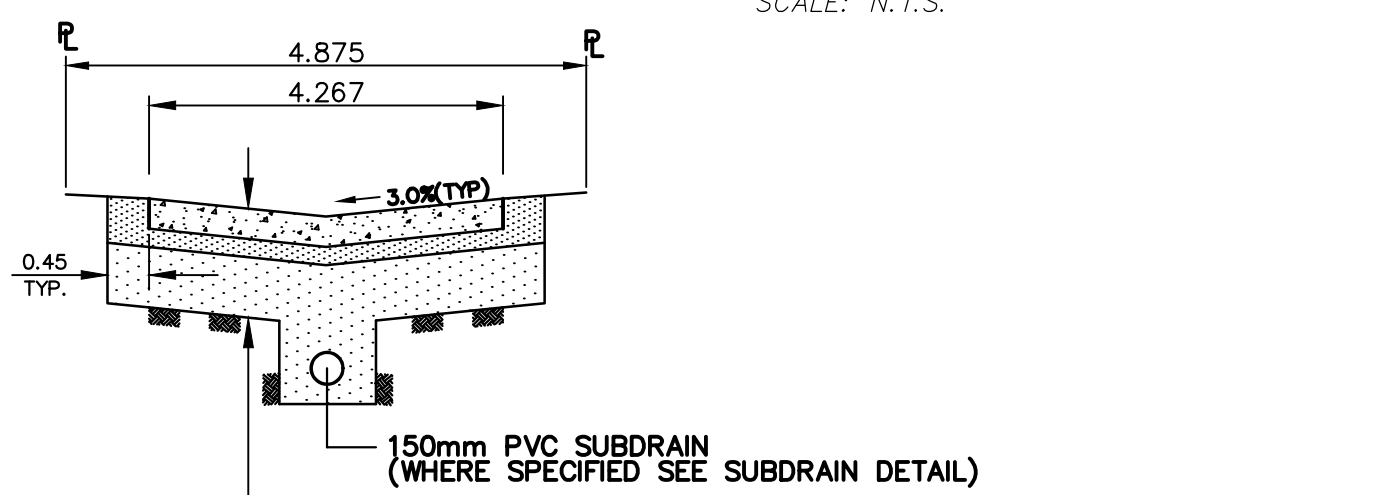
REFERENCE SPECIFICATIONS:
1. SUB-GRADE, SUB-BASE AND BASE MATERIAL SHALL BE SUPPLIED AND PLACED IN ACCORDANCE WITH CW-310.
2. INSTALLATION OF SUBDRAINS SHALL BE IN ACCORDANCE WITH CW-310.
3. DRAINAGE GEOTEXTILE FABRIC AND DRAINAGE PIPE SHALL CONFORM TO "APPROVED PRODUCTS FOR SURFACE WORKS"

TYPICAL ALLEY SUBDRAIN DETAIL
SCALE: N.T.S.



150mm REINFORCED CONCRETE
75mm BASE COURSE
300mm - 50mm SUBBASE
SUBGRADE GEOGRID (AS REQUIRED)
SUBGRADE GEOTEXTILE

TYPICAL ALLEY CROSS SECTION
SCALE: N.T.S.



150mm PVC SUBDRAIN (WHERE SPECIFIED SEE SUBDRAIN DETAIL)
150mm REINFORCED CONCRETE
75mm BASE COURSE
300mm - 50mm SUBBASE
SUBGRADE GEOGRID (AS REQUIRED)
SUBGRADE GEOTEXTILE

TYPICAL ALLEY CROSS SECTION WITH SUBDRAIN
SCALE: N.T.S.

**ENGINEERS
GEOSCIENTISTS
MANITOBA**
Certificate of Authorization
WSP Canada Group Limited
No. 6657

WATERMAIN	CONCRETE/ASPHALT	M.T.S.	WATERMAIN	150 MM	LOCATION APPROVED	B.M. ELEV.
HYDRANT	SIDEWALK	CONCRETE/ASPHALT	VALVE	300 LDS	UNDERGROUND STRUCTURES	---
VALVE	CURB RAMP	CONCRETE	WASTE WATER SEWER	250 WWS		---
CURB STOP	PROPERTY LINE	CONCRETE	CENTERLINE			---
LAND DRAINAGE SEWER	SURVEY BAR	CONCRETE	SOUTH & EAST GUTTER			---
WASTE WATER SEWER	HYDRO POLE	CONCRETE	NORTH & WEST GUTTER			---
CB LEAD	STREET LIGHT	CONCRETE	S & E GARAGE PAD			---
MANHOLE	JOINTS	CONCRETE	N & W GARAGE PAD			---
CATCH BASIN	ASPHALT REPAIR	CONCRETE				---
GAS		CONCRETE				---
HYDRO		CONCRETE				---
EXISTING	LEGEND - PLAN	PROPOSED	EXISTING	LEGEND - PROFILE	PROPOSED	

NOTE:
LOCATION OF UNDERGROUND STRUCTURES AS SHOWN ARE BASED ON THE BEST INFORMATION AVAILABLE BUT NO GUARANTEE IS GIVEN THAT ALL EXISTING UTILITIES ARE SHOWN OR THAT THE GIVEN LOCATIONS ARE EXACT. CONFIRMATION OF EXISTENCE AND EXACT LOCATION OF ALL SERVICES MUST BE OBTAINED FROM THE INDIVIDUAL UTILITIES BEFORE PROCEEDING WITH CONSTRUCTION.

NO	REVISIONS	DATE	BY
1	ISSUED FOR TENDER	18/03/19	K.G.
2	UGS REVIEW	18/03/09	K.G.
3	DETAILED DESIGN REVIEW	18/03/02	K.G.
4	PRELIMINARY DESIGN REVIEW	18/01/15	K.G.

wsp
111-93 Lombard Avenue
Winnipeg, Manitoba
R3B 3B1 Canada
Phone: 204-943-3178
Fax: 204-943-4948
wsp.com

DESIGNED BY: K.G.
CHECKED BY: R.H.
DRAWN BY: D.R./K.G.
APPROVED BY: S.M.
HOR. SCALE: 1:250
VERT. SCALE: AS SHOWN
DESIGNED: JANUARY 2018

NOT FOR CONSTRUCTION
CONSULTANT DRAWING NO.
17M-02283-00-38

Winnipeg THE CITY OF WINNIPEG
PUBLIC WORKS DEPARTMENT

2018 ALLEY RENEWALS
FURBY ST / LANGSIDE ST ALLEY
FROM STA 2+00 TO SARA AVENUE

CITY DRAWING NO.
SHEET 2 OF 2
BID OPPORTUNITY
29-2018