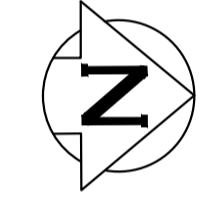
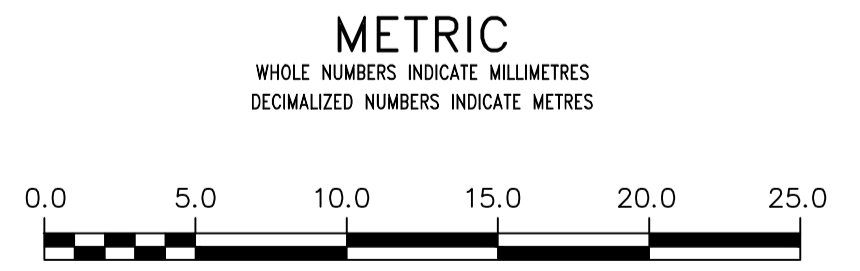
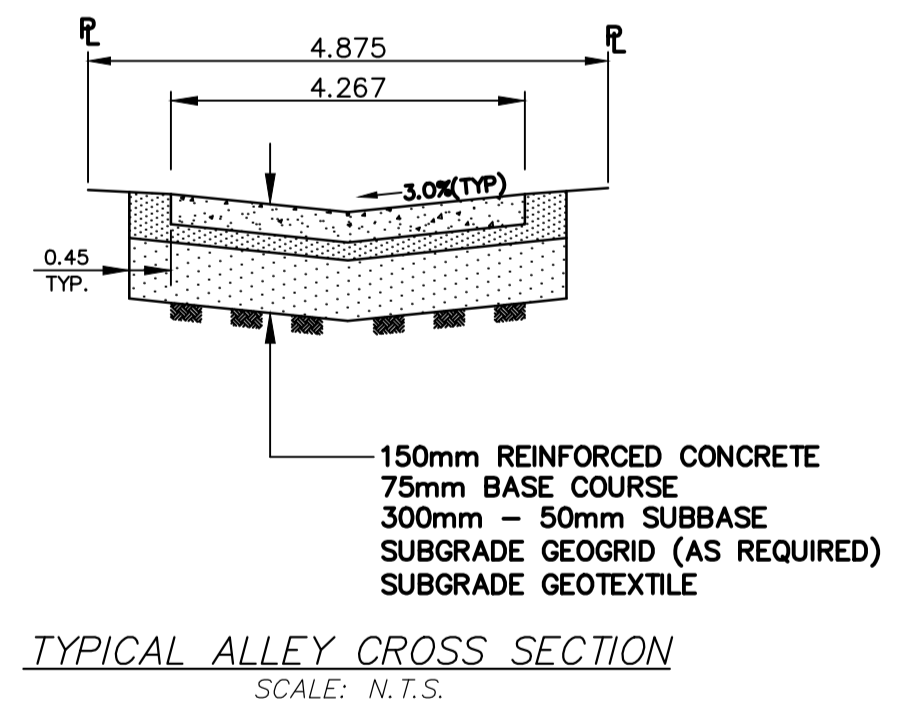
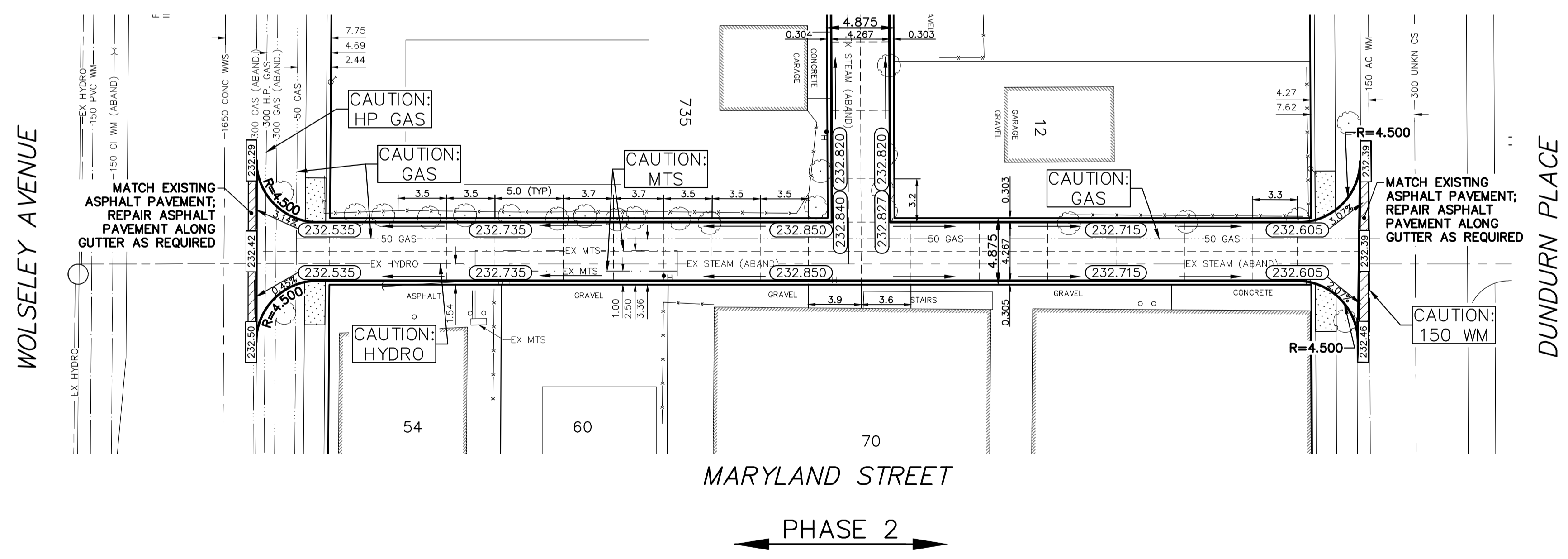


- NOTES:**
1. ALL WORK AND MATERIALS TO BE IN ACCORDANCE WITH THE LATEST REVISION OF THE CITY OF WINNIPEG STANDARD CONSTRUCTION SPECIFICATION.
 2. CONTRACTOR TO CONFIRM THE LOCATION OF ALL UTILITIES/SERVICES IN THE FIELD PRIOR TO CONSTRUCTION.
 3. CONTRACTOR TO AVOID DAMAGE TO EXISTING TREES WITHIN THE LIMITS OF THE ALLEY RIGHT OF WAY AS OUTLINED IN THE BID OPPORTUNITY.
 4. HYDRO POLES AND ANCHORS REQUIRING TEMPORARY SUPPORT TO BE DONE AT THE EXPENSE OF THE CONTRACTOR AS REQUIRED.
 5. WHERE UNSTABLE SUB-GRADES ARE ENCOUNTERED, ADDITIONAL EXCAVATION/SUB-BASE AND INSTALLATION OF GEOTRID TO BE DETERMINED BY THE CONTRACT ADMINISTRATOR AND CONSTRUCTED IN ACCORDANCE W/ CW-3110.
 6. PROPOSED ELEVATIONS GIVEN ARE FOR EDGE OF PAVEMENT.
 7. ISOLATE EXISTING HYDRO POLES AS PER SD-228C.
 8. RENEW CURB AND SIDEWALK AS DIRECTED BY THE CONTRACT ADMINISTRATOR.
 9. MODIFIED BARRIER CURB TO BE CONSTRUCTED AT ALL BACK LANE RADI.
 10. ALL EXISTING PRIVATE APPROACHES TO BE RENEWED AS DIRECTED BY THE CONTRACT ADMINISTRATOR.
 11. ADJUSTMENTS TO PROPOSED CROSSFALL, WHERE REQUIRED, ARE TO BE DETERMINED BY THE CONTRACT ADMINISTRATOR TO SUIT EXISTING DRIVEWAYS, APPROACHES, ETC.
 12. ALL BOULEVARD RESTORATION TO BE SODDED UNLESS OTHERWISE NOTED.
 13. INSTALLATION OF LIP CURBS AND THEIR LIMITS THROUGH PRIVATE APPROACHES TO BE DETERMINED BY THE CONTRACT ADMINISTRATOR.
 14. REMOVE, ADJUST, AND SUPPLY PRECAST SIDEWALK BLOCKS AS DIRECTED BY THE CONTRACT ADMINISTRATOR.

NOTE: CHAINAGES SHOWN ARE ALONG
 ☉ OF RIGHT-OF-WAY



FOR CONTINUATION SEE
 DWG 17M-02283-00-35



THERE SHALL BE NO INCREASE IN CUMULATIVE
 PEAK FLOW ENTERING CS AND/OR SRS SYSTEMS
 AS A RESULT OF CONSTRUCTION WORKS SHOWN.

**ENGINEERS
 GEOSCIENTISTS
 MANITOBA**
 Certificate of Authorization
WSP Canada Group Limited
 No. 6657

WATERMAIN	M.T.S.	WATERMAIN	LOCATION APPROVED	B.M. ELEV.
HYDRANT	CONCRETE/ASPHALT	VALVE	UNDERGROUND STRUCTURES	
VALVE	SIDEWALK	LAND DRAINAGE SEWER		
CURB STOP	CURB RAMP	WASTE WATER SEWER		
LAND DRAINAGE SEWER	ELEVATIONS	CENTERLINE		
WASTE WATER SEWER	PROPERTY LINE	SOUTH & EAST GUTTER		
CB LEAD	SURVEY BAR	NORTH & WEST GUTTER		
MANHOLE	HYDRO POLE	S & E GARAGE PAD		
CATCH BASIN	STREET LIGHT	N & W GARAGE PAD		
GAS	JOINTS			
HYDRO	ASPHALT REPAIR			
EXISTING	LEGEND - PLAN	EXISTING	LEGEND - PROFILE	PROPOSED

NOTE:
 LOCATION OF UNDERGROUND STRUCTURES AS SHOWN ARE BASED ON THE BEST INFORMATION AVAILABLE BUT NO GUARANTEE IS GIVEN THAT ALL EXISTING UTILITIES ARE SHOWN OR THAT THE GIVEN LOCATIONS ARE EXACT. CONFIRMATION OF EXISTENCE AND EXACT LOCATION OF ALL SERVICES MUST BE OBTAINED FROM THE INDIVIDUAL UTILITIES BEFORE PROCEEDING WITH CONSTRUCTION.

NO	REVISIONS	DATE	BY
4	ISSUED FOR TENDER	18/03/19	K.G.
3	UGS REVIEW	18/03/09	K.G.
2	DETAILED DESIGN REVIEW	18/03/02	K.G.
1	PRELIMINARY DESIGN REVIEW	18/01/15	K.G.

wsp
 111-93 Lombard Avenue
 Winnipeg, Manitoba
 R3B 3S1 Canada
 Phone: 204-943-3178
 Fax: 204-943-4948
 wsp.com

DESIGNED BY: K.G.
 CHECKED BY: R.H.
 DRAWN BY: D.R./K.G.
 APPROVED BY: S.M.
 HOR. SCALE: 1:250
 VERT. SCALE: AS SHOWN
 JANUARY 2018

NOT FOR CONSTRUCTION

CONSULTANT DRAWING NO.
 17M-02283-00-36

Winnipeg
 THE CITY OF WINNIPEG
 PUBLIC WORKS DEPARTMENT

2018 ALLEY RENEWALS
 MARYLAND ST ALLEY
 FROM WOLSELEY AVE
 TO DUNDURN PL
 CONCRETE PAVEMENT

CITY DRAWING NO.
 SHEET 3 OF 3
 BID OPPORTUNITY
 29-2018