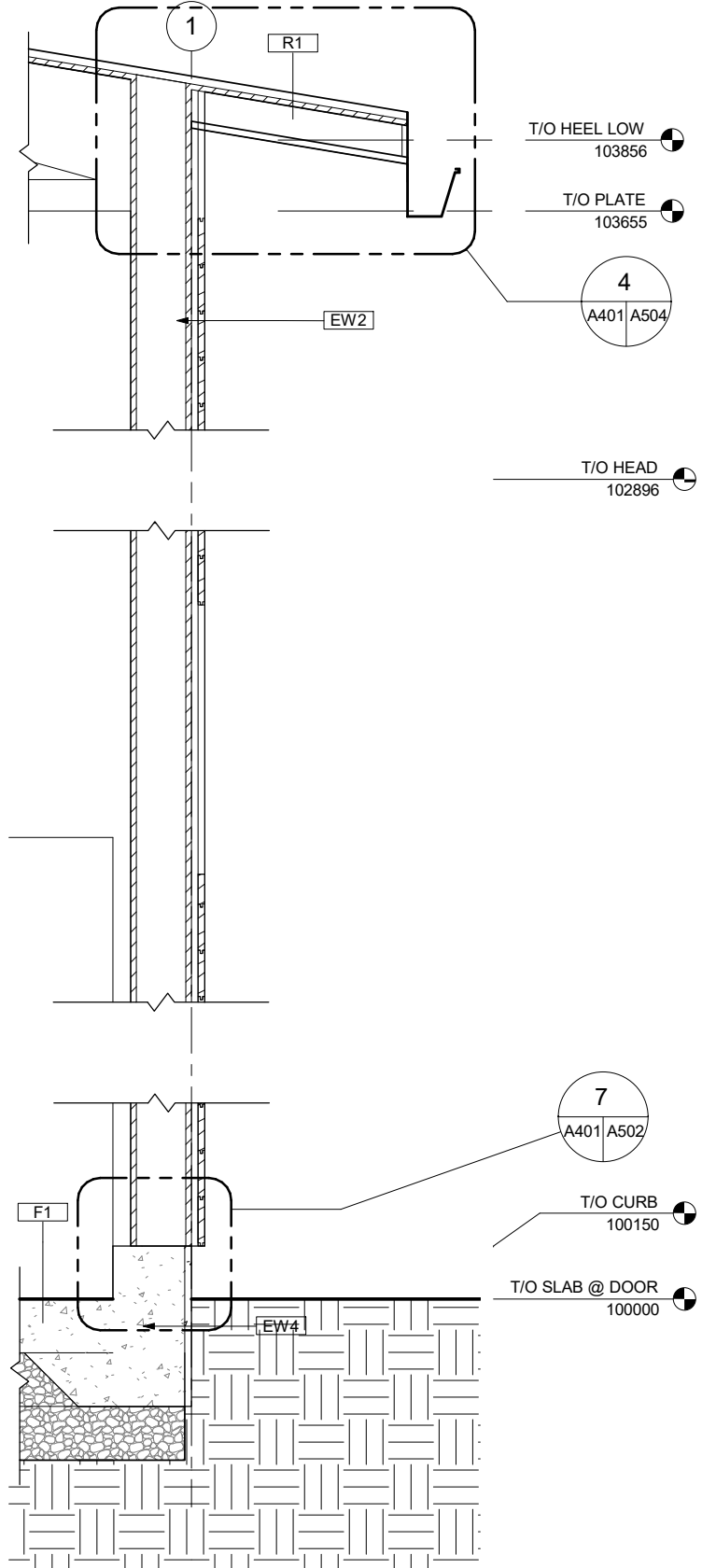
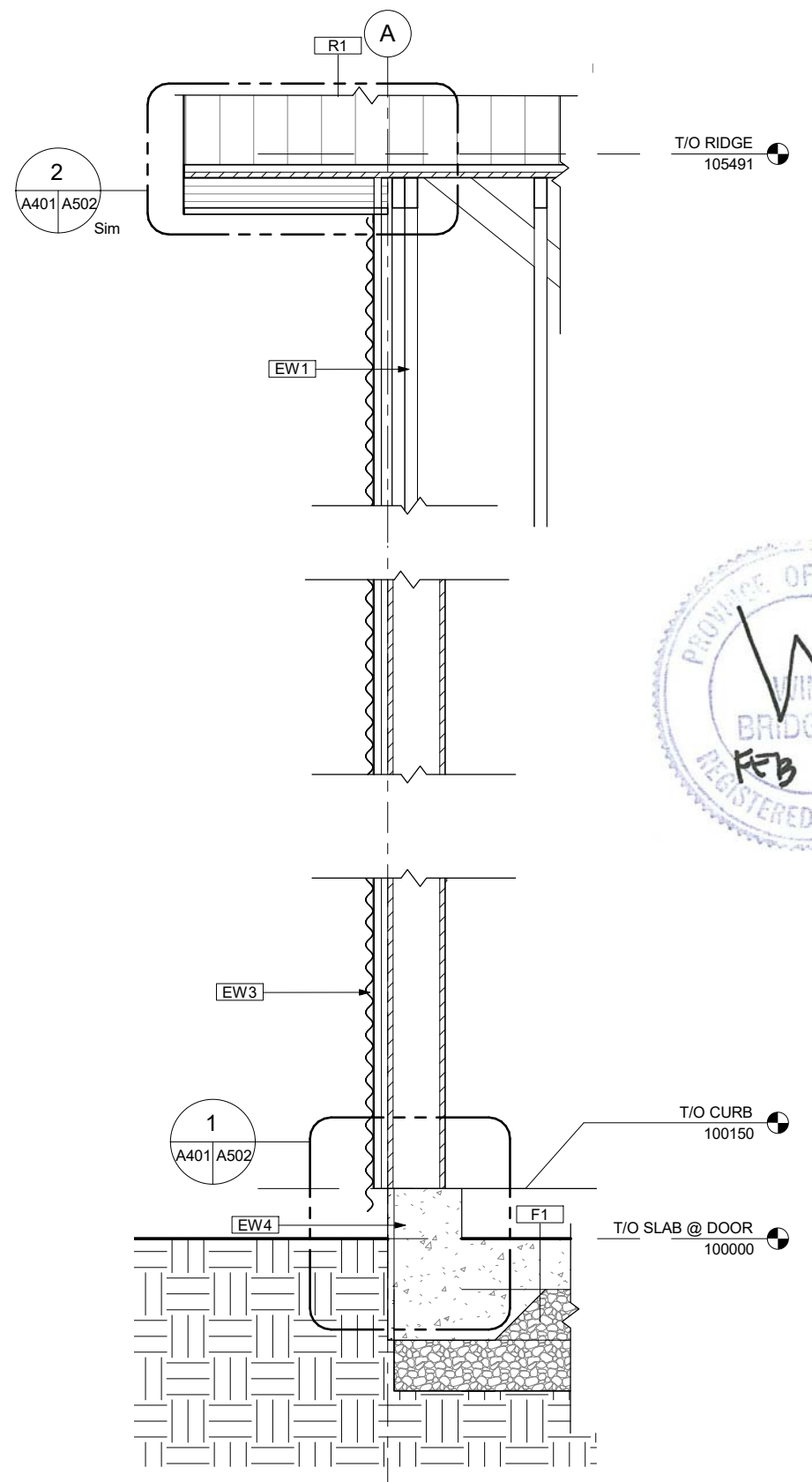


1 WALL SECTION @ SOFFIT - HIGH
1 : 20



2 WALL SECTION @ SOFFIT - LOW
1 : 20



3 WALL SECTION @ SHED
1 : 20

