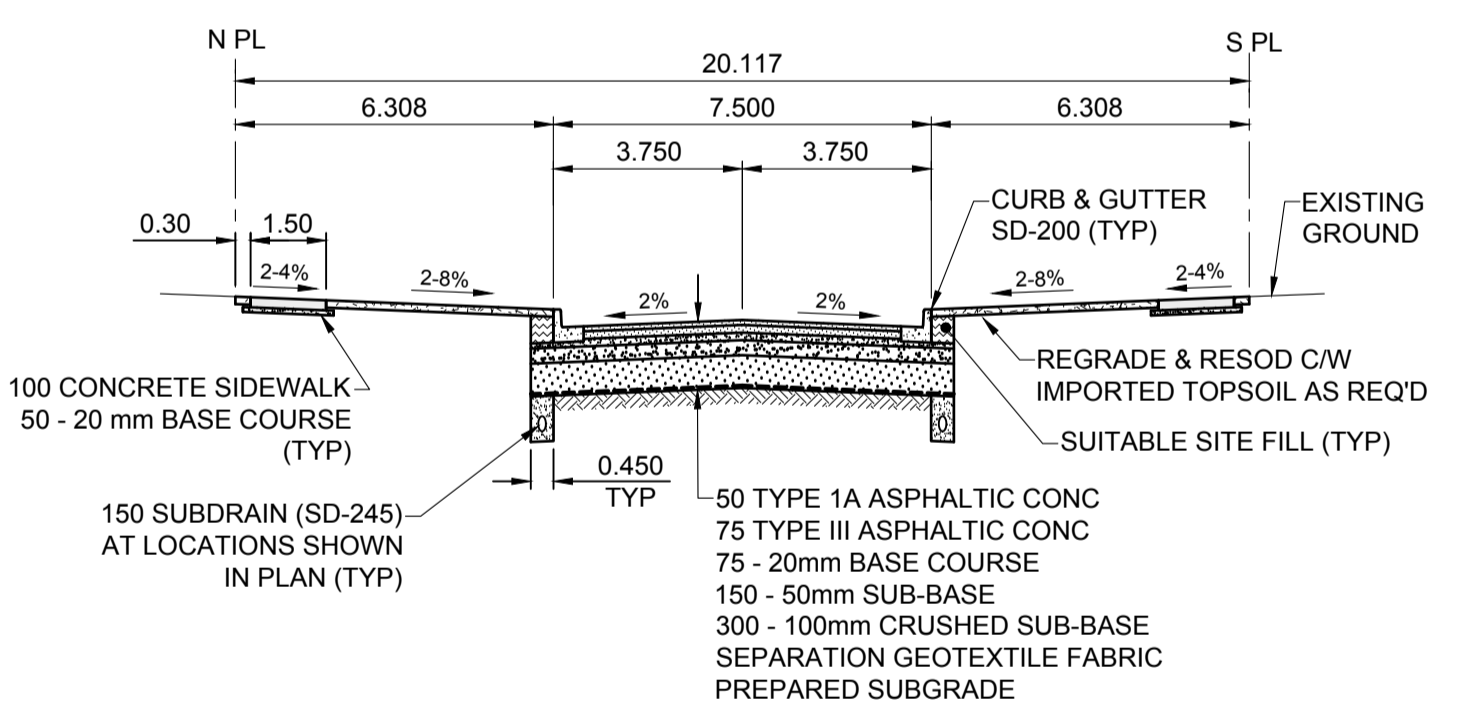
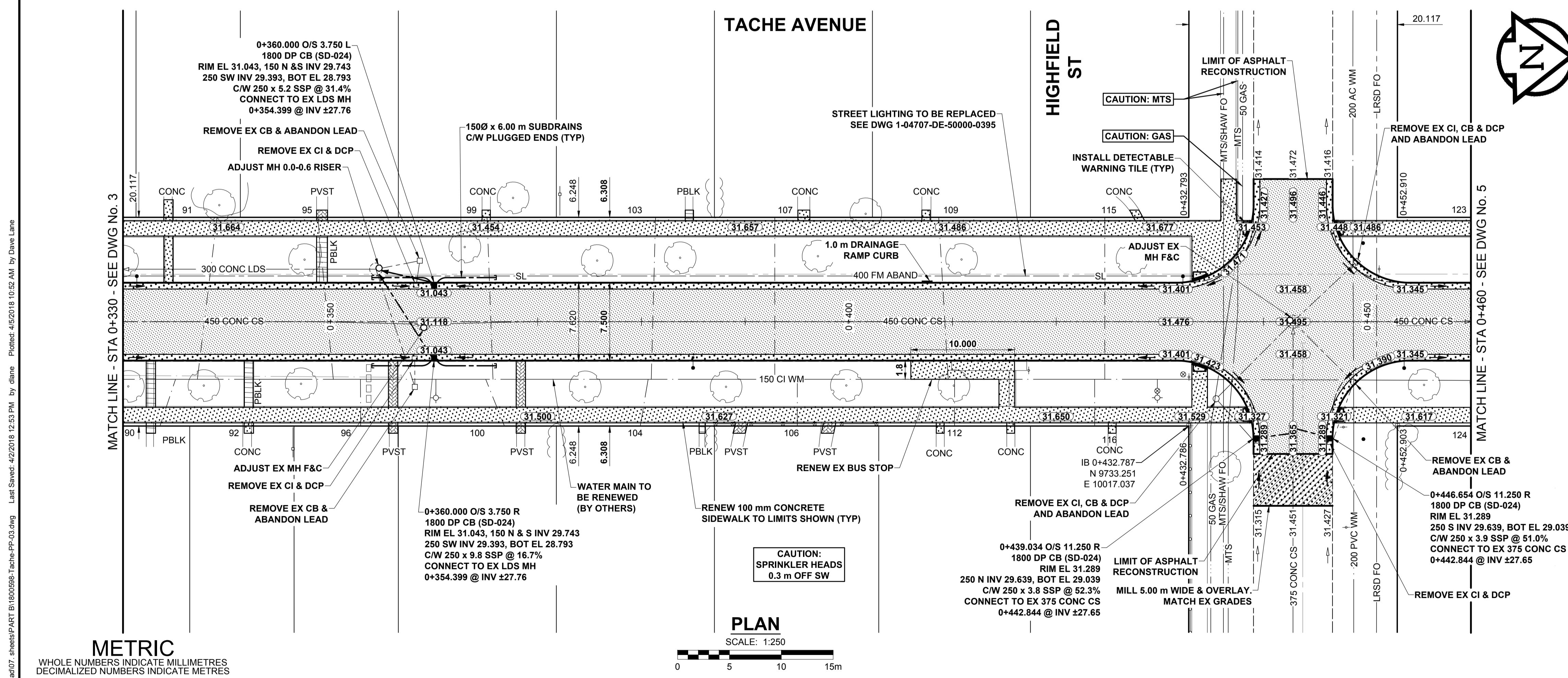


- NOTES**
- ADJUST MH AND CB RIMS TO NEW GRADES.
 - LAMP STANDARDS, HYDRO POLES, AND ANCHORS THAT REQUIRE TEMPORARY SUPPORT, REMOVAL OR REPLACEMENT, TO BE DONE SO AT THE EXPENSE OF THE CONTRACTOR AS NECESSARY.
 - CONTRACTOR TO REGRADE/RENEW EXISTING PRIVATE SIDEWALKS TO LIMITS AS SHOWN. SIDEWALKS TO BE RENEWED WITH CONCRETE UNLESS NOTED OTHERWISE.
 - CONTRACTOR TO TAKE PRECAUTIONARY STEPS TO PROTECT EXISTING TREES WITHIN THE LIMITS OF CONSTRUCTION FROM DAMAGE FROM CONSTRUCTION ACTIVITIES AS OUTLINED IN THE SPECIFICATIONS.
 - CONTRACTOR TO CONFIRM THE LOCATION OF ALL UTILITIES/SERVICES IN THE FIELD PRIOR TO CONSTRUCTION.
 - CB SD-023 & SD-024 OFFSETS ARE DIMENSIONED TO BOC. CB SD-025 OFFSETS ARE DIMENSIONED O/C.
 - IN GENERAL, PAVEMENT AND SIDEWALK AREAS TO BE REMOVED. MATCH RECONSTRUCTION LIMITS.
 - REFER TO BID OPPORTUNITY FOR DETAILS REGARDING TRAFFIC MANAGEMENT.
 - EXISTING LONG WATER SERVICES TO BE INSULATED (SD-018). REFER TO BID OPPORTUNITY FOR FURTHER REQUIREMENTS AND AS NOTED IN PLAN.
 - ALL COSTS, MATERIALS AND LABOR ASSOCIATED WITH THE RESTORATION OF THE CATHODIC PROTECTED WATERMAIN WILL BE RESPONSIBILITY OF THE CONTRACTOR.
 - MODIFIED BARRIER CURB & GUTTER INLET FRAME & COVER TF-122.
 - ADD 200.000 m TO ABBREVIATED ELEVATIONS TO OBTAIN GEODETIC ELEVATIONS.



METRIC
WHOLE NUMBERS INDICATE MILLIMETRES
DECIMALIZED NUMBERS INDICATE METRES

EXISTING	LEGEND - PLAN	NEW	EXISTING	LEGEND - PLAN	NEW	EXISTING	LEGEND - PLAN	NEW
(Symbol)	GAS	(Symbol)	(Symbol)	MANHOLE	(Symbol)	(Symbol)	CONCRETE PAVEMENT	(Symbol)
(Symbol)	MTS HANDWELL/PEDESTAL	(Symbol)	(Symbol)	CATCH BASIN/CATCH PIT	(Symbol)	(Symbol)	CONC SIDEWALK/MEDIAN	(Symbol)
(Symbol)	HYDRO HANDWELL/CABINET	(Symbol)	(Symbol)	CURB INLET WITH BOX	(Symbol)	(Symbol)	ASPHALT PAVEMENT	(Symbol)
(Symbol)	CATV/FIBRE OPTIC	(Symbol)	(Symbol)	TREE	(Symbol)	(Symbol)	PAVING STONE	(Symbol)
(Symbol)	TRAFFIC SIGNALS/PIT	(Symbol)	(Symbol)	TEST HOLE	(Symbol)	(Symbol)	GRAVEL	(Symbol)
(Symbol)	LAND DRAINAGE SEWER	(Symbol)	(Symbol)	PROPERTY LINE	(Symbol)	(Symbol)	RAMP CURB	(Symbol)
(Symbol)	SANITARY/COMBINED SEWER	(Symbol)	(Symbol)	SURVEY BAR	(Symbol)	(Symbol)	PLANNING/REMOVAL	(Symbol)
(Symbol)	CB LEAD/SSP/DCP	(Symbol)	(Symbol)	FENCE	(Symbol)	(Symbol)		(Symbol)
(Symbol)	WATERMAIN	(Symbol)	(Symbol)	BOC/EDGE OF PAVEMENT	(Symbol)	(Symbol)		(Symbol)
(Symbol)	SUBDRAIN	(Symbol)	(Symbol)	ELEVATION	(Symbol)	(Symbol)		(Symbol)
(Symbol)	DITCH	(Symbol)	(Symbol)	TRAFFIC SIGN	(Symbol)	(Symbol)		(Symbol)

LOCATION APPROVED UNDERGROUND STRUCTURES

SUPR. U/G STRUCTURES COMMITTEE DATE

NOTE:
LOCATION OF UNDERGROUND STRUCTURES AS SHOWN ARE BASED ON THE BEST INFORMATION AVAILABLE BUT NO GUARANTEE IS GIVEN THAT ALL EXISTING UTILITIES ARE SHOWN OR THAT THE GIVEN LOCATIONS ARE EXACT. CONFIRMATION OF EXISTENCE AND EXACT LOCATION OF ALL SERVICES MUST BE OBTAINED FROM THE INDIVIDUAL UTILITIES BEFORE PROCEEDING WITH CONSTRUCTION.

B	ISSUED FOR TENDER	18/04/03	JGK
A	ISSUED FOR CLIENT REVIEW	18/03/09	JGK
No.	REVISIONS	YY/MM/DD	BY

BM 34-004
ELEV 229.873 m

Tbl. in 7.6 m Conc. pile, 2.1 m N. of line of N. wall of No. 146 Tache Ave. S. of St.

MORRISON HERSHFIELD

DESIGNED BY JGK
DRAWN BY DML
CHECKED BY RPB
APPROVED BY BWB
RELEASED FOR CONSTRUCTION

HOR SCALE 1:250
VERT SCALE 1:10
DATE 18/03/09

CONSULTANT FILE NAME
1800598-Tache-PP-03.dwg

THE CITY OF WINNIPEG
PUBLIC WORKS DEPARTMENT
ENGINEERING DIVISION

2018 LOCAL STREETS PACKAGE
TACHE AVENUE
LYNDALE DR TO ST MARY'S RD
ASPHALT RECONSTRUCTION
PAVING AND GRADING
STA 0+330 TO HIGHFIELD ST

CITY DRAWING NUMBER N/A
SHEET 4 OF 19
DRAWING No. 4

ENGINEERS GEOSCIENTISTS MANITOBA
Certificate of Authorization
MORRISON HERSHFIELD
No. 1736

BID OPPORTUNITY No. 124-2018