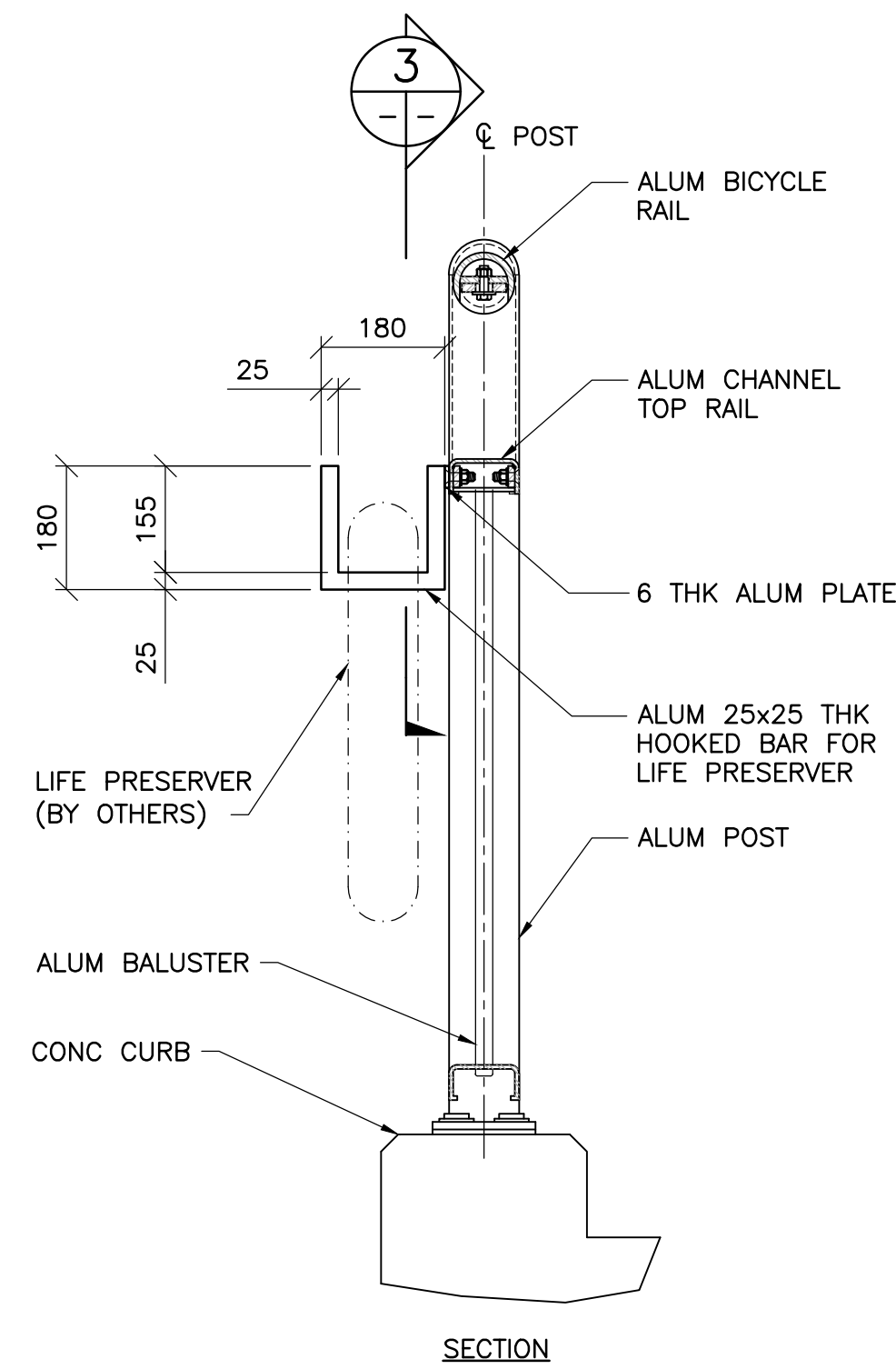
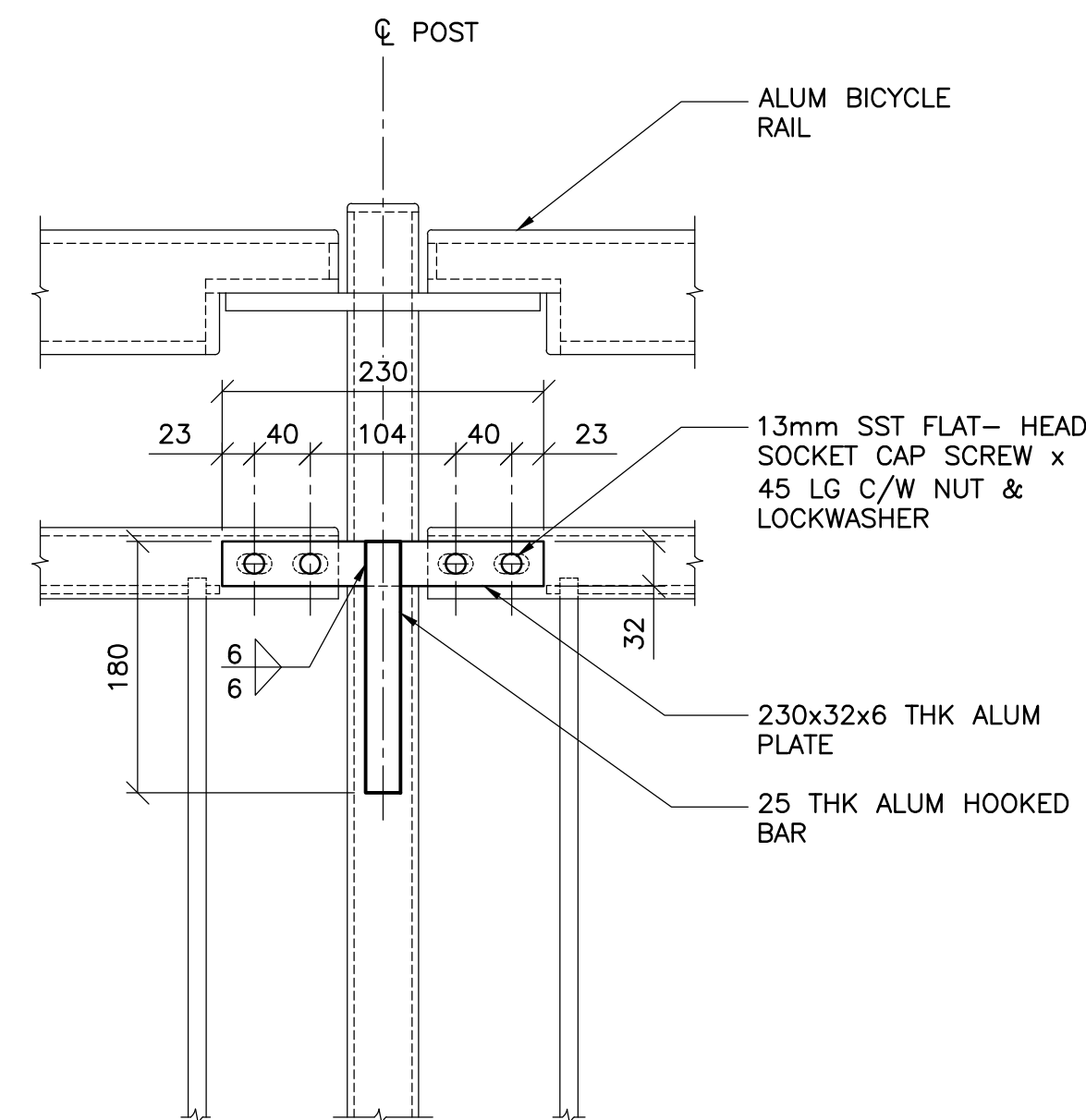


1 PEDESTRIAN HANDRAIL/BICYCLE RAIL - ELEVATION
1 : 75

ALUMINUM PEDESTRIAN HANDRAIL/BICYCLE RAIL DATA			
PANEL	No. REQ'D	POST SPACING	REMARKS
A	22	2480	INTERMEDIATE PANEL
B	2	2077	END PANEL
TOTAL = 24 PANELS			



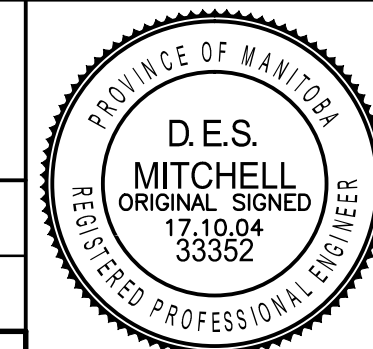
2 LIFE PRESERVER HOOK DETAIL
1 : 10



3 SECTION
1 : 5



B.M. ELEV.			
DESIGNED BY	D.M.	CHECKED BY	J.Z.
DRAWN BY	G.I. / B.M.	APPROVED BY	E.F.S.
HOR. SCALE:	AS NOTED	ACCEPTED BY	DATE
VERTICAL:	AS NOTED	ORIGINAL DRAWING SIGNED BY:	17.10.04
0 ISSUED FOR TENDER	17.10.04	D.M.	
NO. REVISIONS	DATE	BY	DATE 17.10.04



THE CITY OF WINNIPEG
PUBLIC WORKS DEPARTMENT
ENGINEERING DIVISION

SASKATCHEWAN AVE AT STURGEON CREEK BRIDGE CONSTRUCTION	CITY DRAWING NUMBER B248-17-040
PEDESTRIAN HANDRAIL/BICYCLE RAIL ELEVATION AND DETAILS	SHEET 40 OF 69
	40

CONSULTANT DRAWING NO.
1600070700-DWG-S0040