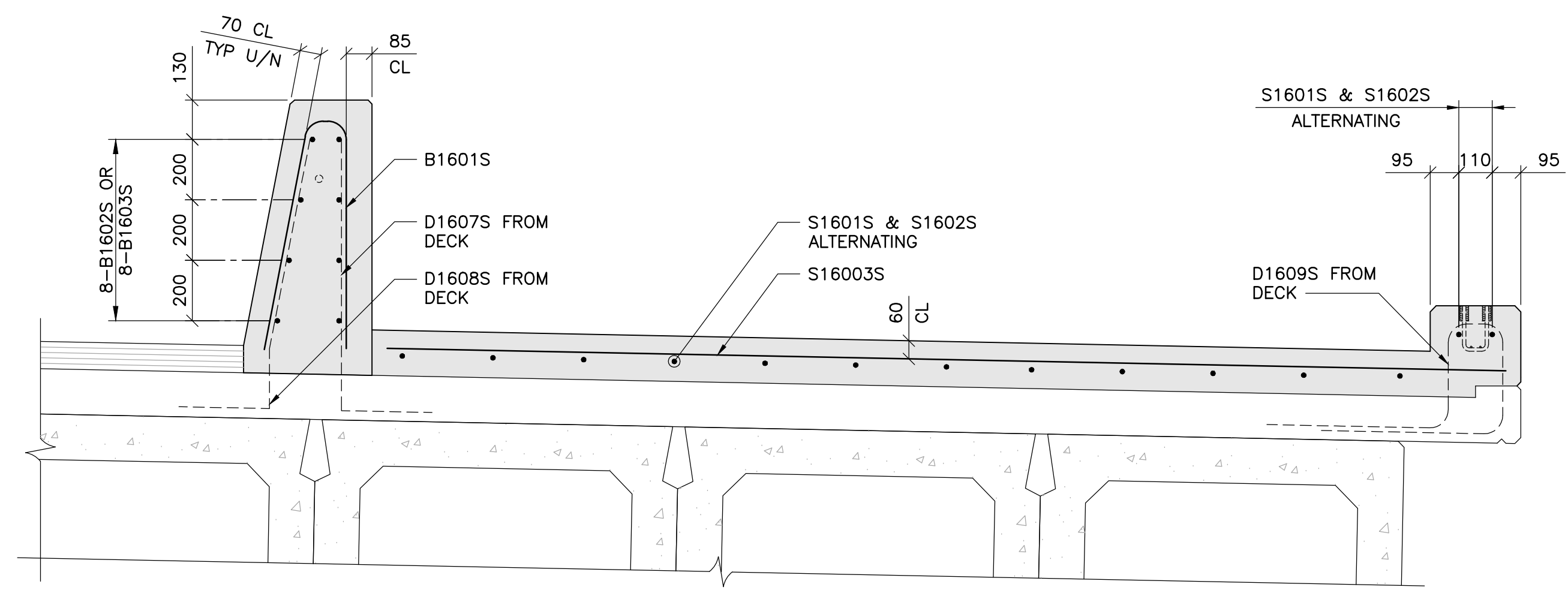
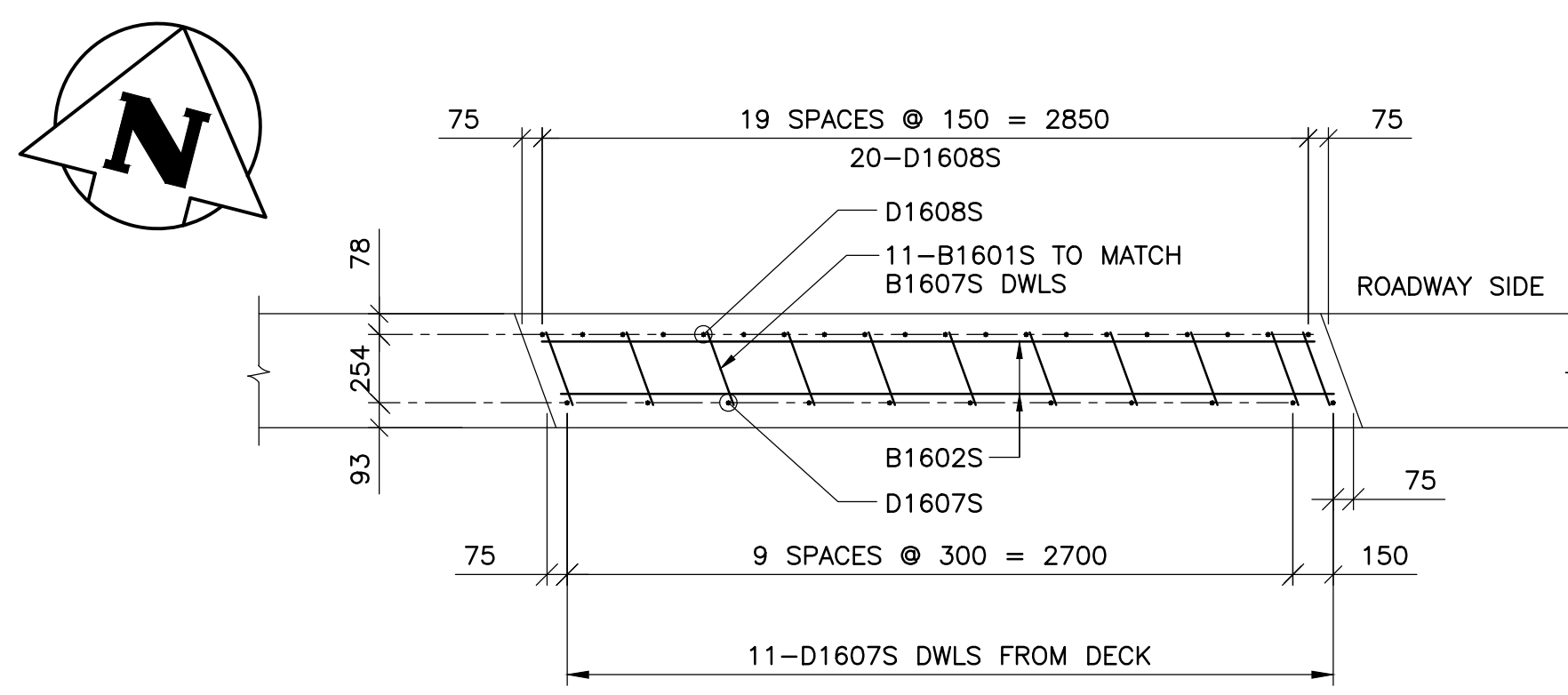


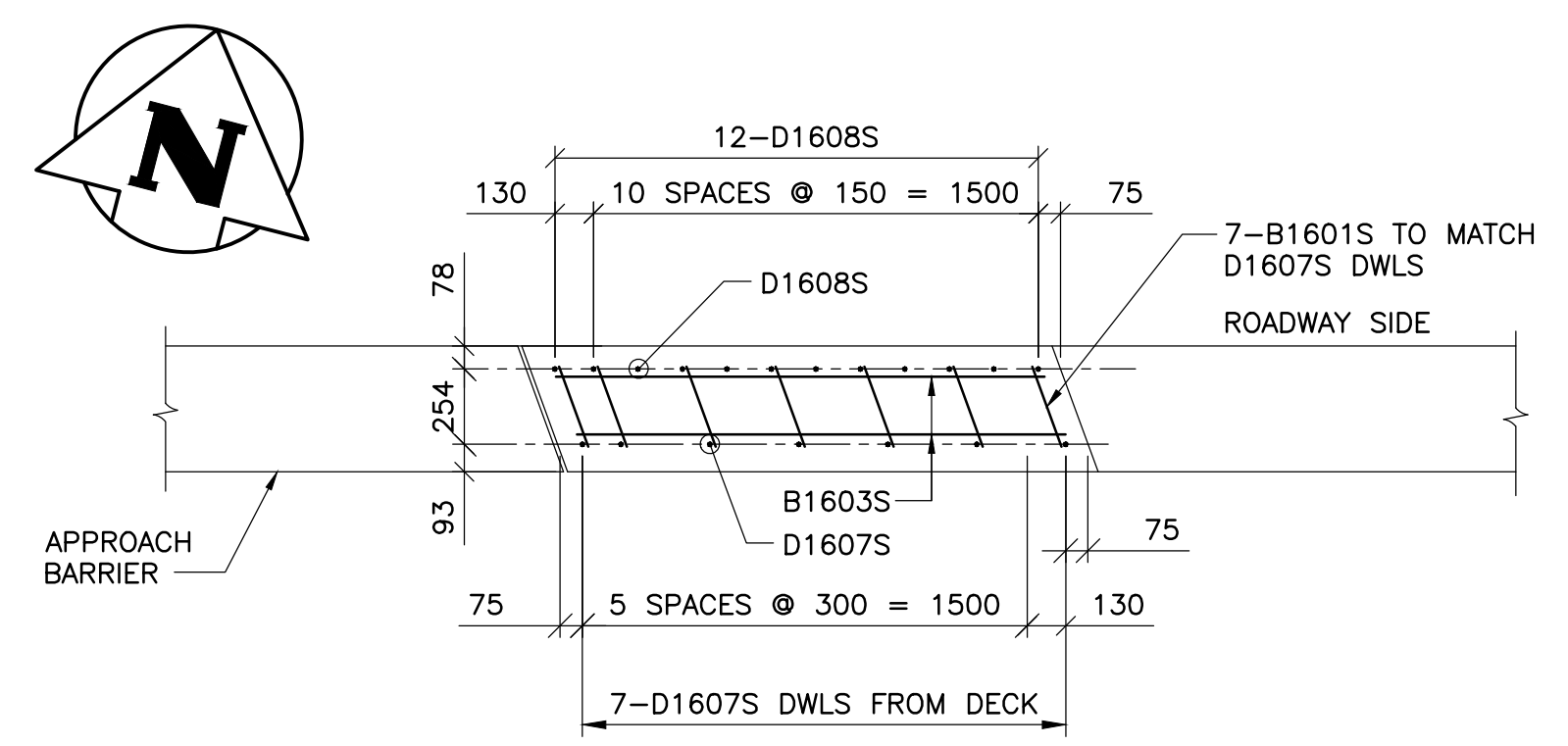
1 SIDEWALK REINFORCING - PLAN
1 : 100



2 SIDEWALK SECTION
1 : 15



4 TYPICAL BARRIER PANEL
1 : 30
- SOUTH BARRIER SHOWN (13 THUS)
- NORTH BARRIER SIMILAR (13 THUS)
- 26 LOCATIONS TOTAL



3 TYPICAL END BARRIER PANEL
1 : 30
- SOUTH BARRIER SHOWN (2 THUS)
- NORTH BARRIER SIMILAR (2 THUS)
- 4 LOCATIONS TOTAL

ES ENGINEERS
GEOSCIENTISTS
MANITOBA
Certificate of Authorization
Tetra Tech Canada Inc.
No. 6499

B.M. ELEV.			
0	ISSUED FOR TENDER	17.10.04	D.M.
NO.	REVISIONS	DATE	BY

TETRA TECH

DESIGNED BY	D.M.	CHECKED BY	J.Z.
DRAWN BY	B.M.	APPROVED BY	E.F.S.
HOR. SCALE:	AS NOTED	ACCEPTED BY	DATE
VERTICAL:		ORIGINAL DRAWING SIGNED BY:	17.10.04
		B. MUHRDAREVIC, P.ENG.	33352

PROVINCE OF MANITOBA
D.E.S. MITCHELL
ORIGINAL SIGNED
17.10.04
33352
REGISTERED PROFESSIONAL ENGINEER

THE CITY OF WINNIPEG
PUBLIC WORKS DEPARTMENT
ENGINEERING DIVISION

SASKATCHEWAN AVE AT STURGEON CREEK
BRIDGE CONSTRUCTION

CITY DRAWING NUMBER
B248-17-039

SHEET 39 OF 69

SIDEWALK, BARRIER AND CURB
REINFORCING DETAILS

1600070700-DWG-S0039

39