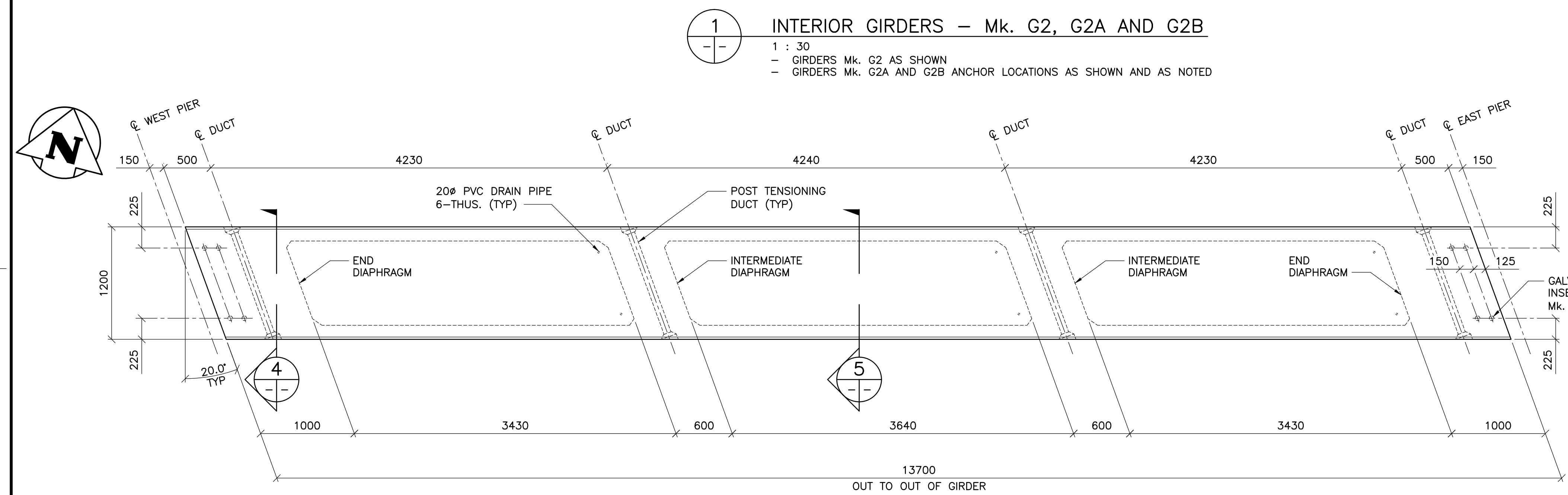
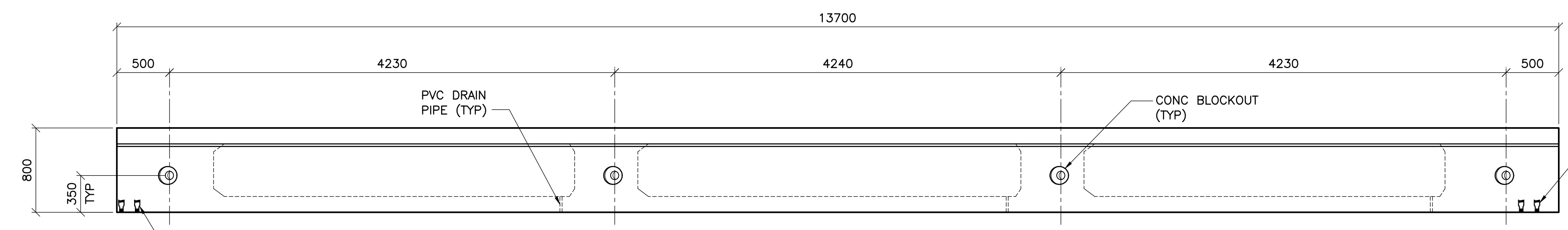
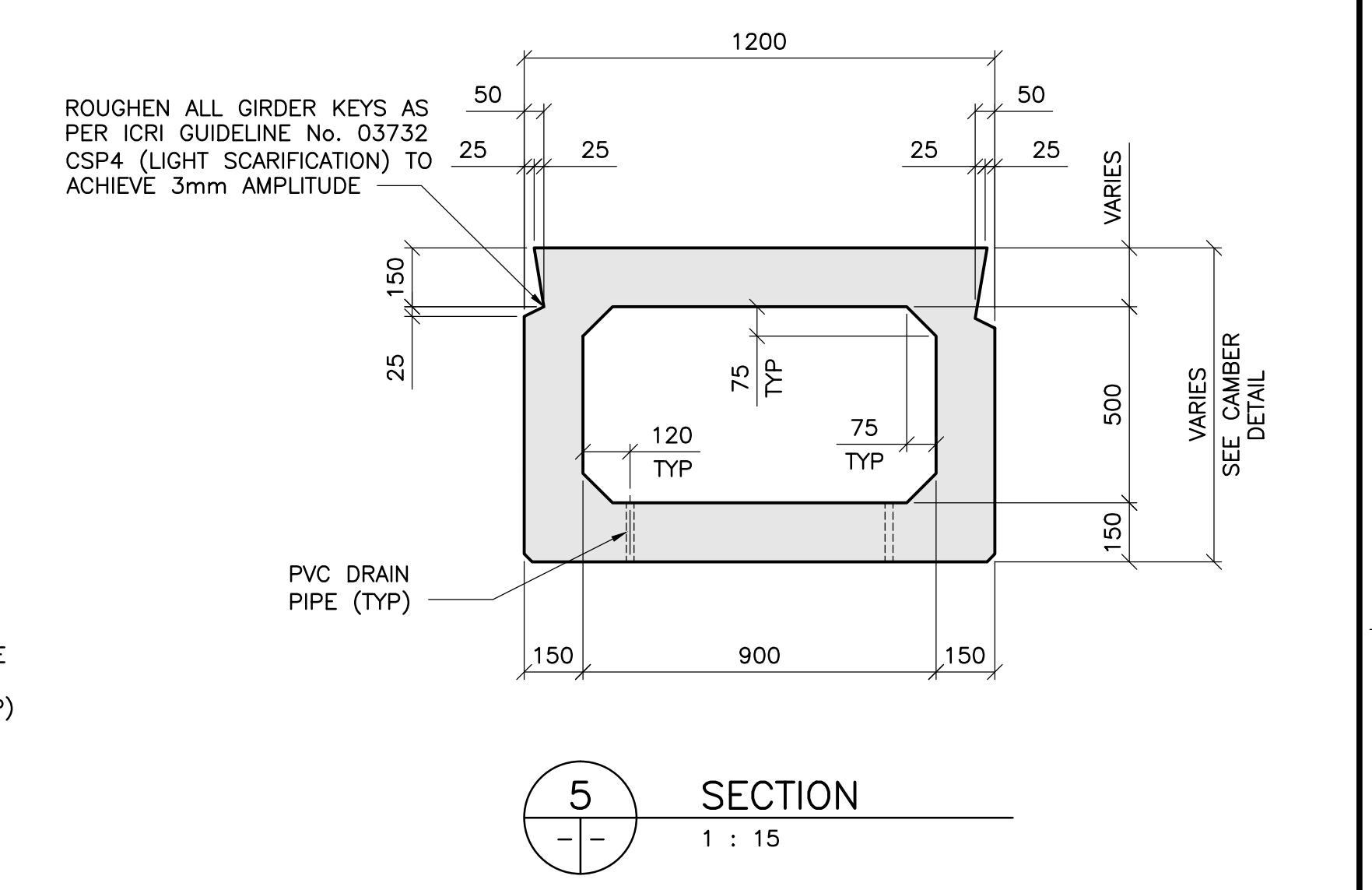
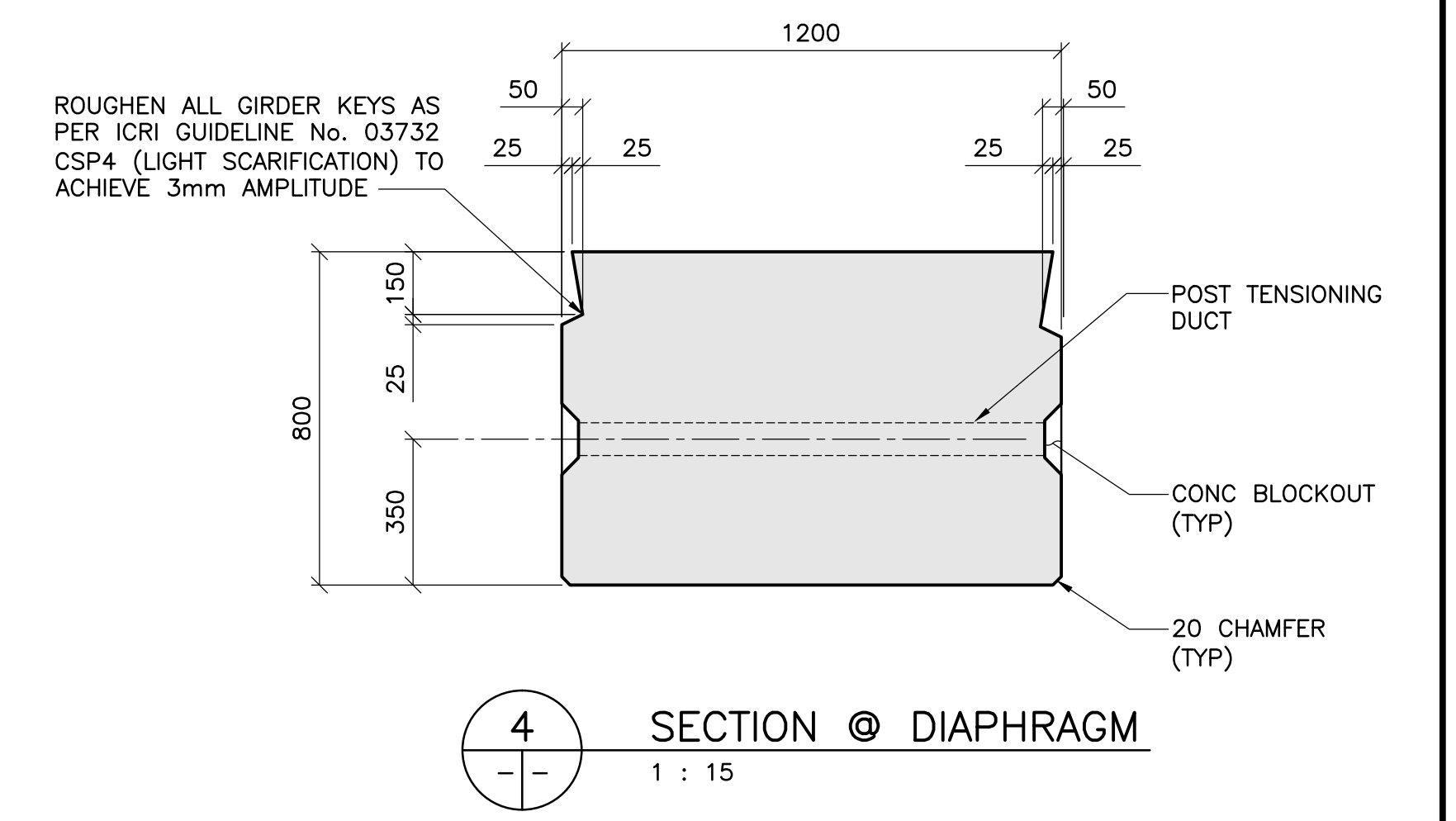


**1** INTERIOR GIRDERS - Mk. G2, G2A AND G2B  
 1 : 30  
 - GIRDERS Mk. G2 AS SHOWN  
 - GIRDERS Mk. G2A AND G2B ANCHOR LOCATIONS AS SHOWN AND AS NOTED



**2** INTERIOR GIRDERS - Mk. G4, G4A AND G4B  
 1 : 30  
 - GIRDERS Mk. G4 AS SHOWN  
 - GIRDERS Mk. G4A AND G4B ANCHOR LOCATIONS AS SHOWN AND AS NOTED



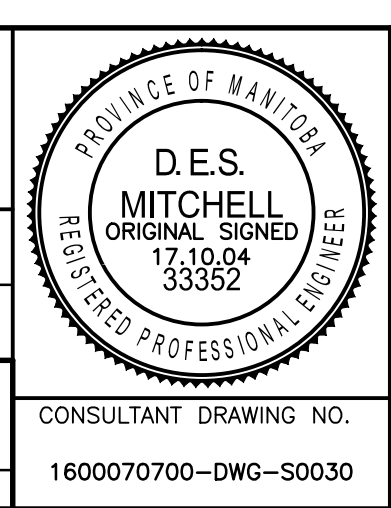
**3** GIRDER ELEVATION  
 1 : 30



B.M. ELEV.			
DESIGNED BY	D.M.	CHECKED BY	J.Z.
DRAWN BY	G.I. / B.M.	APPROVED BY	E.F.S.
HOR. SCALE:	AS NOTED	ACCEPTED BY	DATE
VERTICAL:	AS NOTED	ORIGINAL DRAWING SIGNED BY: D. MUHURDAREVIC, P.ENG.	17.10.04
0 ISSUED FOR TENDER	17.10.04	D.M.	
NO. REVISIONS	DATE	BY	DATE 17.10.04

**TETRA TECH**

DESIGNED BY: D.M. CHECKED BY: J.Z.  
 DRAWN BY: G.I. / B.M. APPROVED BY: E.F.S.  
 HOR. SCALE: AS NOTED  
 VERTICAL: AS NOTED  
 DATE: 17.10.04



**THE CITY OF WINNIPEG**  
 PUBLIC WORKS DEPARTMENT  
 ENGINEERING DIVISION

SASKATCHEWAN AVE AT STURGEON CREEK BRIDGE CONSTRUCTION

PRECAST PRESTRESSED BOX GIRDER GIRDERS Mk. G2, G2A, G2B, G4, G4A AND G4B - CONCRETE DETAILS

CITY DRAWING NUMBER: B248-17-030  
 SHEET 30 OF 69

CONSULTANT DRAWING NO. 1600070700-DWG-S0030