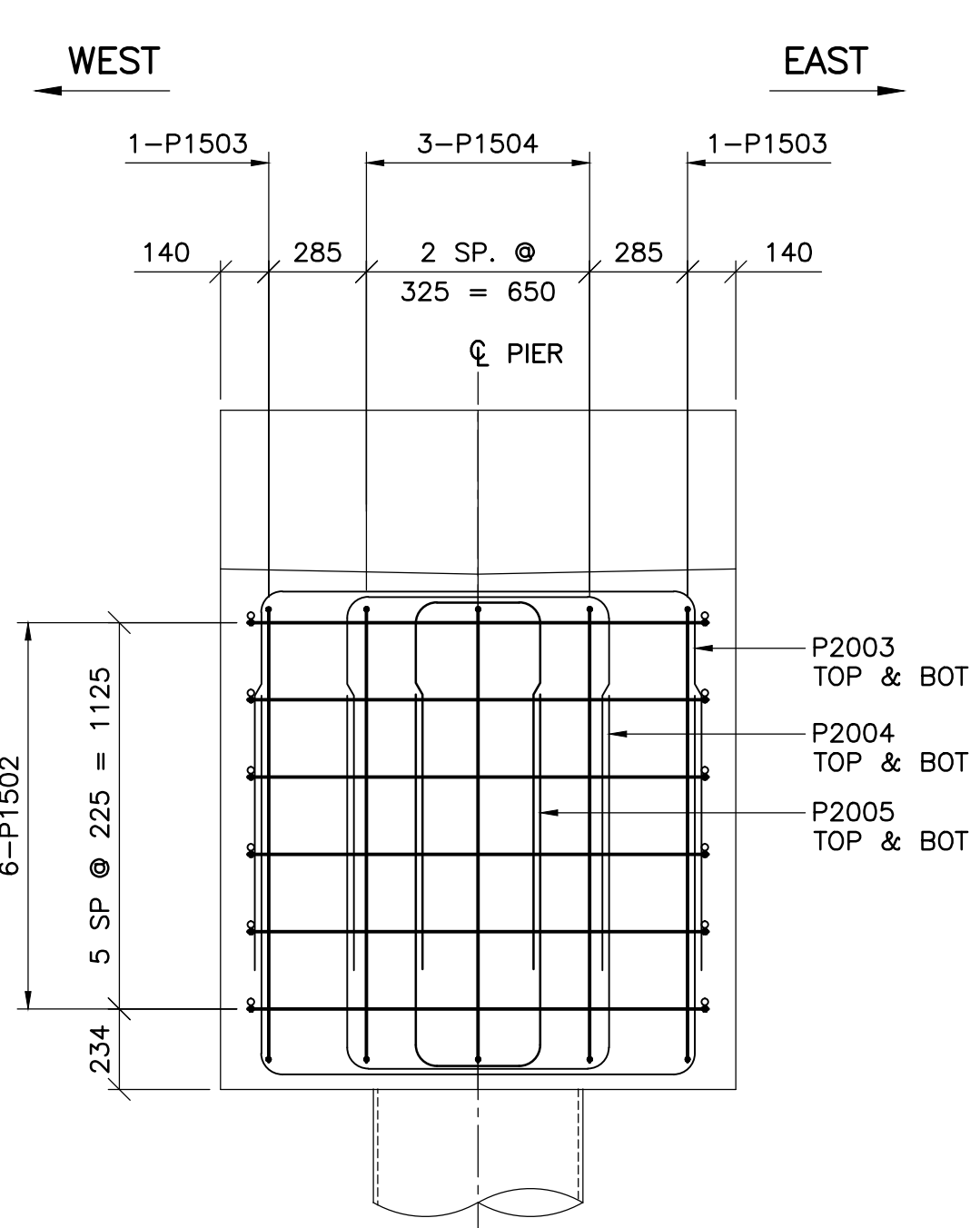
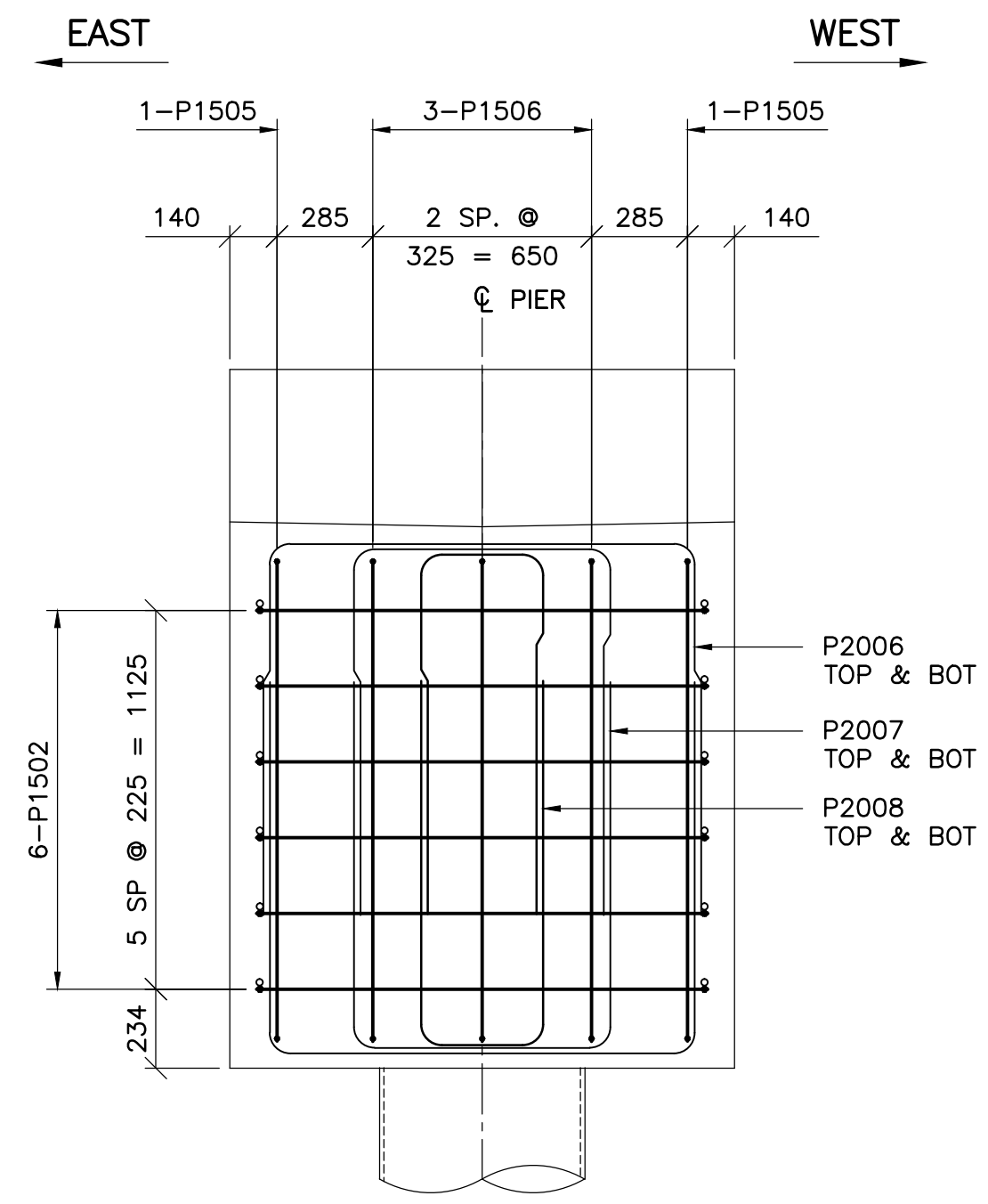


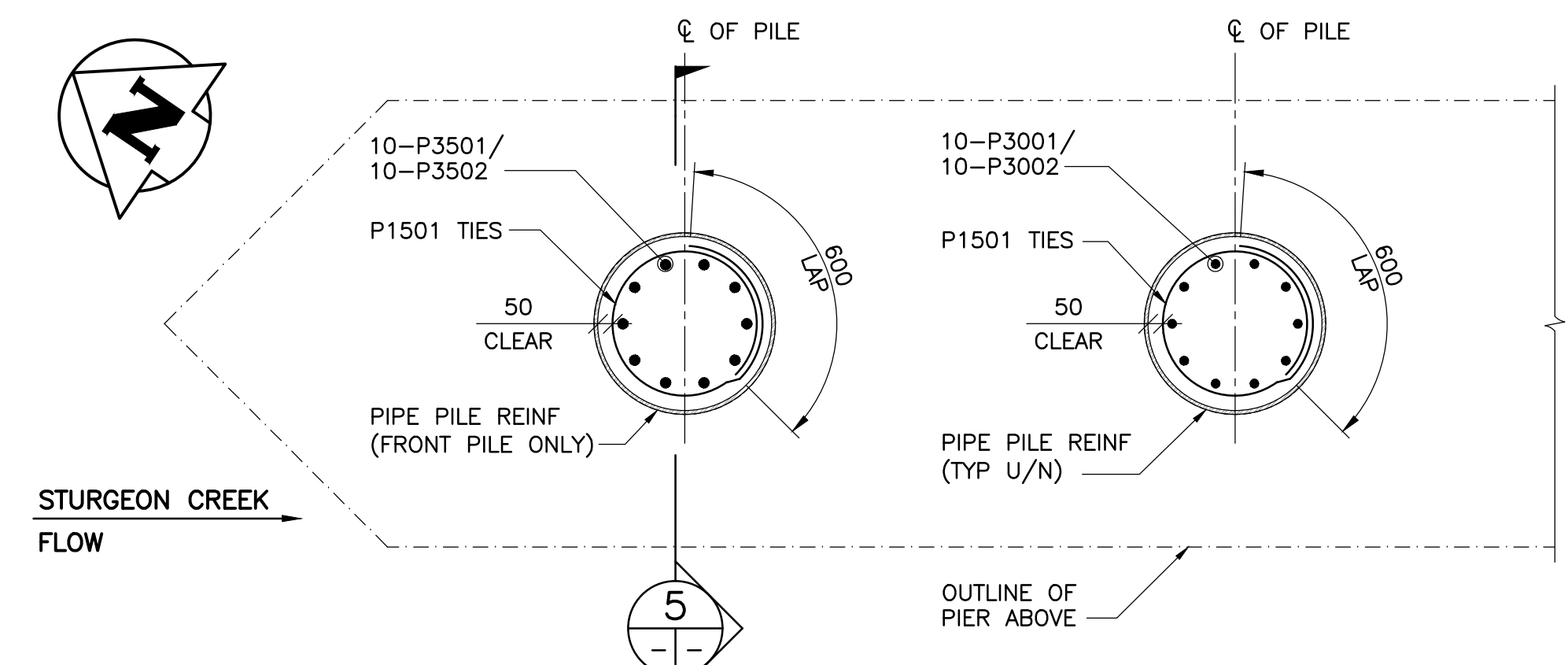
1 PLAN - REINFORCING
1 : 40
- SHOWING TOP MAT REINFORCING



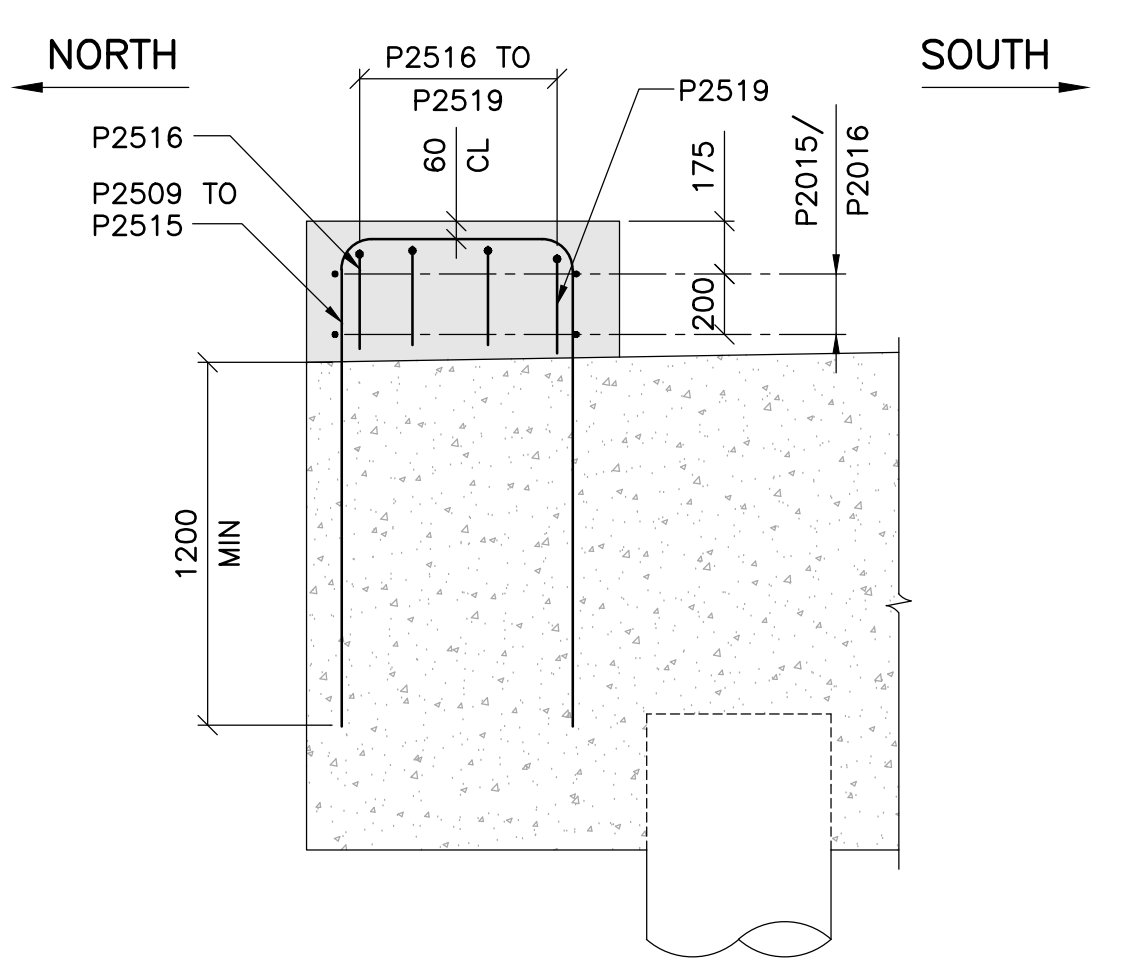
2 END ELEVATION - SOUTH
1 : 20



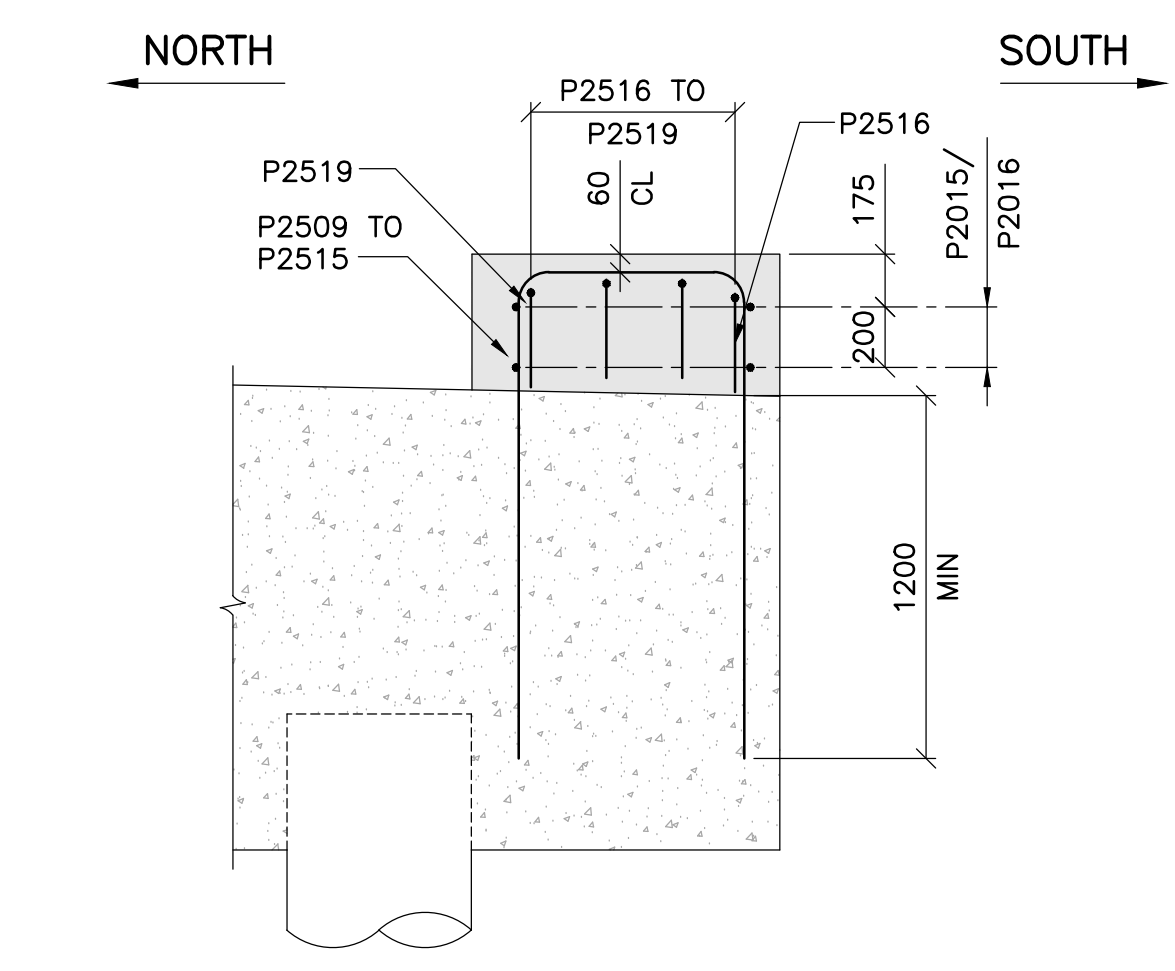
3 END ELEVATION - NORTH
1 : 20



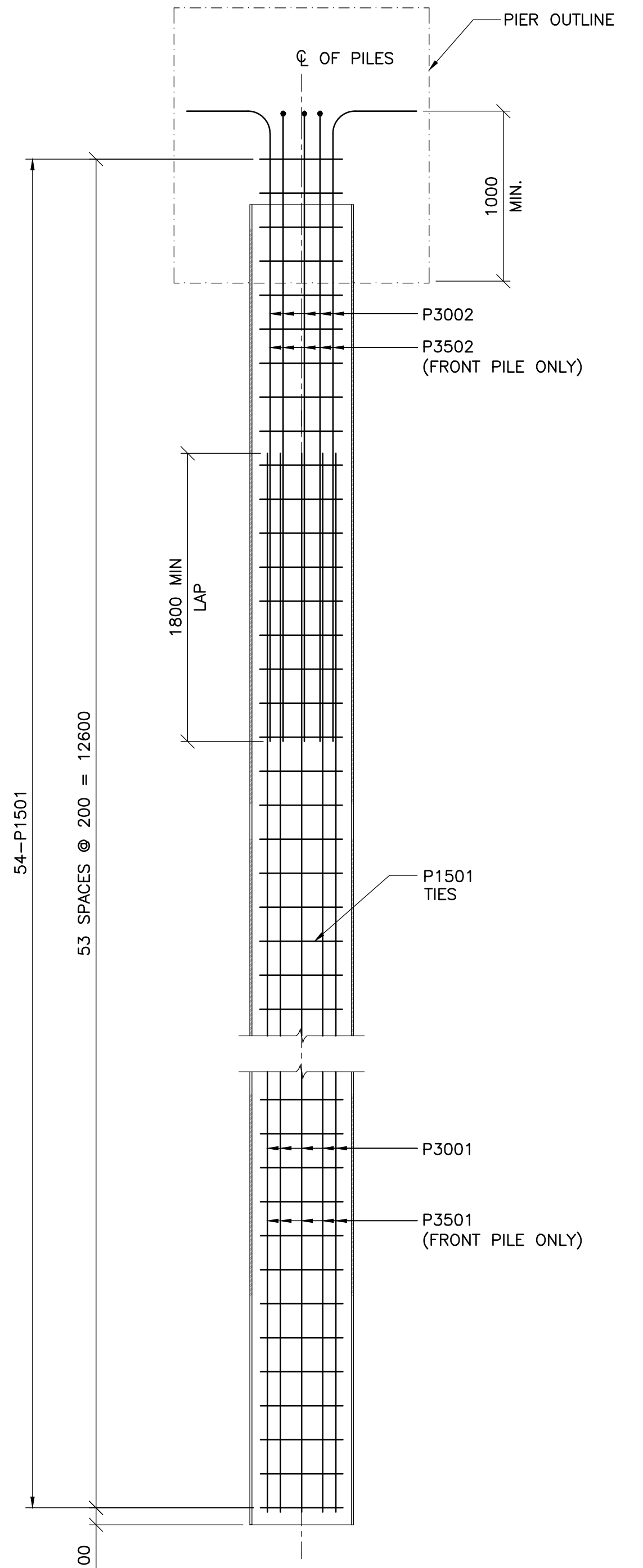
4 PARTIAL PLAN - PIPE PILE REINF
1 : 20



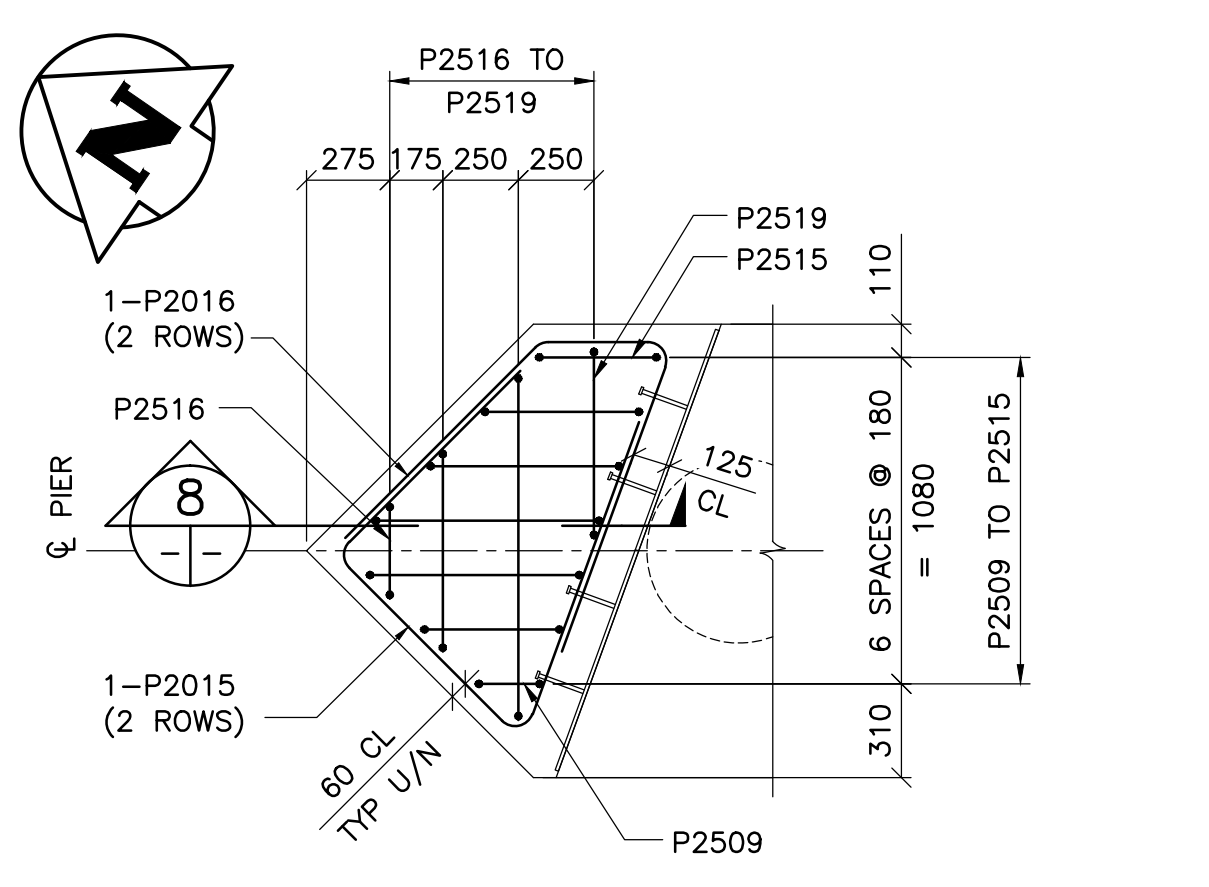
8 SECTION - NORTH SHEAR BLOCK
1 : 25



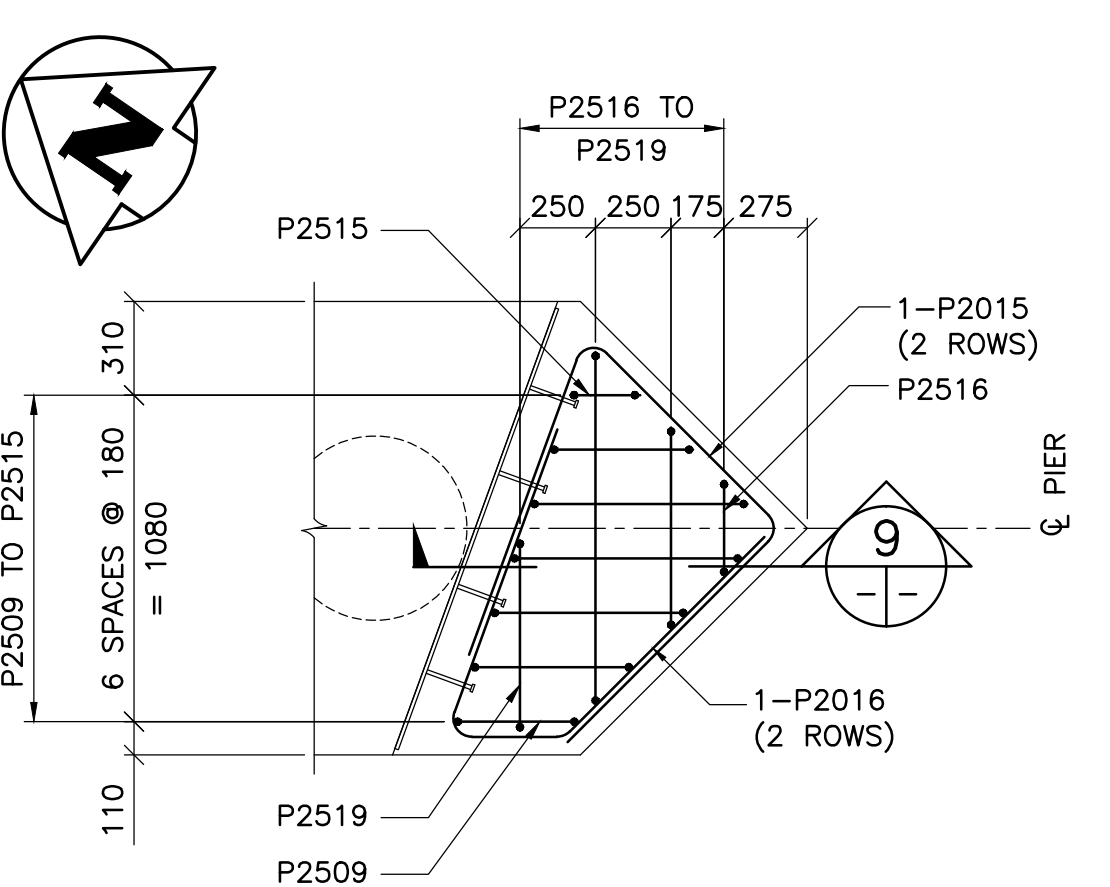
9 SECTION - SOUTH SHEAR BLOCK
1 : 25



5 ELEVATION - PIPE PILE REINF
1 : 25



6 DETAIL - NORTH SHEAR BLOCK
1 : 25



7 DETAIL - SOUTH SHEAR BLOCK
1 : 25



DESIGNED BY D.M.		CHECKED BY J.Z.	
DRAWN BY B.M. / M.V.		APPROVED BY E.F.S.	
HOR. SCALE: AS NOTED		ACCEPTED BY DATE	
VERTICAL: AS NOTED		ORIGINAL DRAWING SIGNED BY: D. MUHRDAREVIC, P.ENG. 17.10.04	
0 ISSUED FOR TENDER	17.10.04	D.M.	
NO. REVISIONS	DATE	BY	DATE 17.10.04



TETRA TECH

THE CITY OF WINNIPEG
PUBLIC WORKS DEPARTMENT
ENGINEERING DIVISION

SASKATCHEWAN AVE AT STURGEON CREEK BRIDGE CONSTRUCTION

EAST AND WEST PIER REINFORCING DETAILS SHEET 2 OF 2

CITY DRAWING NUMBER B248-17-026
SHEET 26 OF 69

1600070700-DWG-S0026