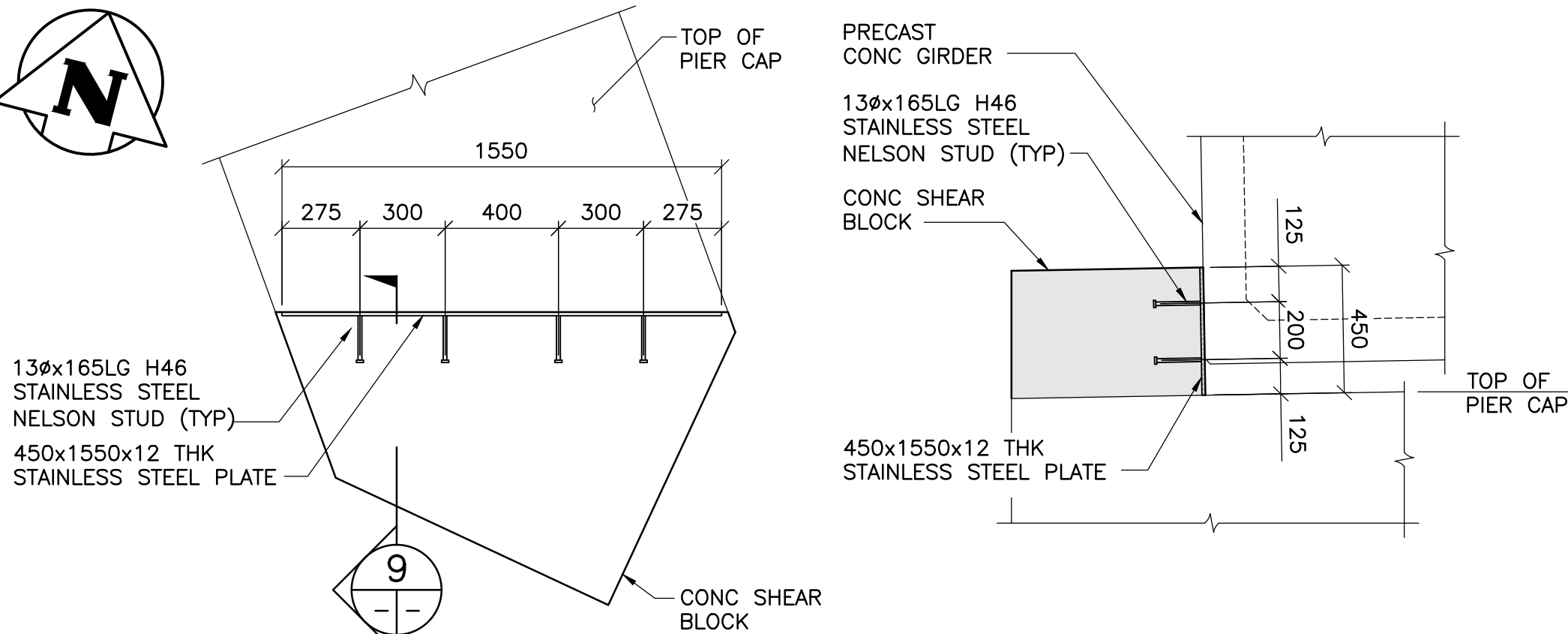
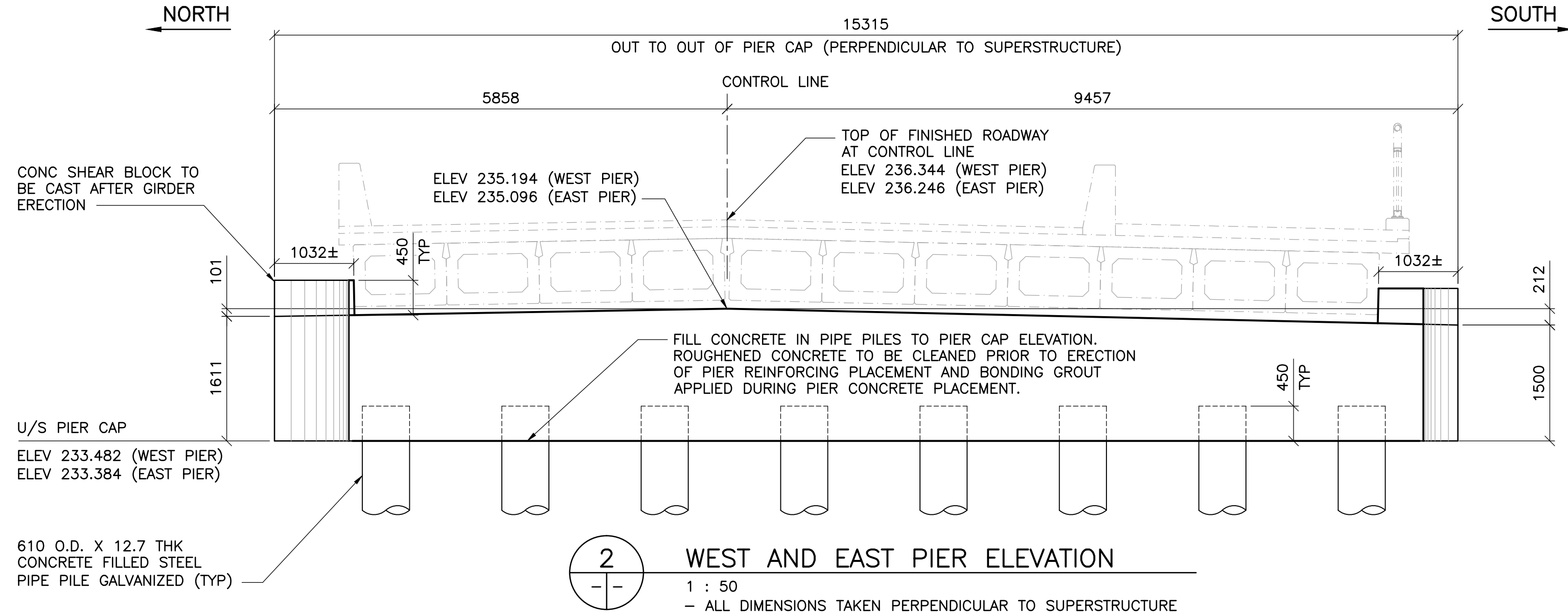


1 WEST AND EAST PIER - PLAN
1 : 50

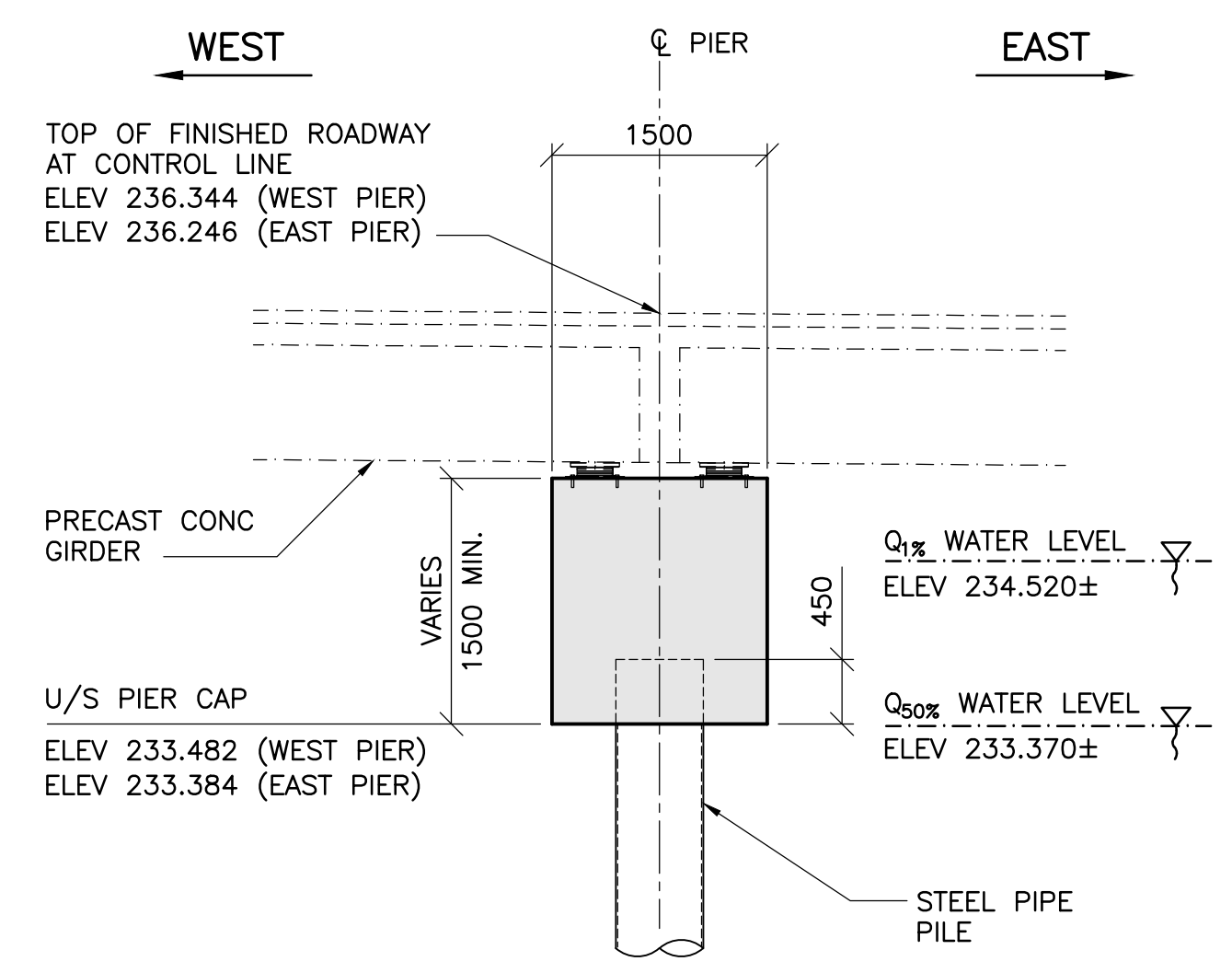


8 SHEAR BLOCK DETAIL
1 : 20
- TYPICAL FOR EAST AND WEST PIER

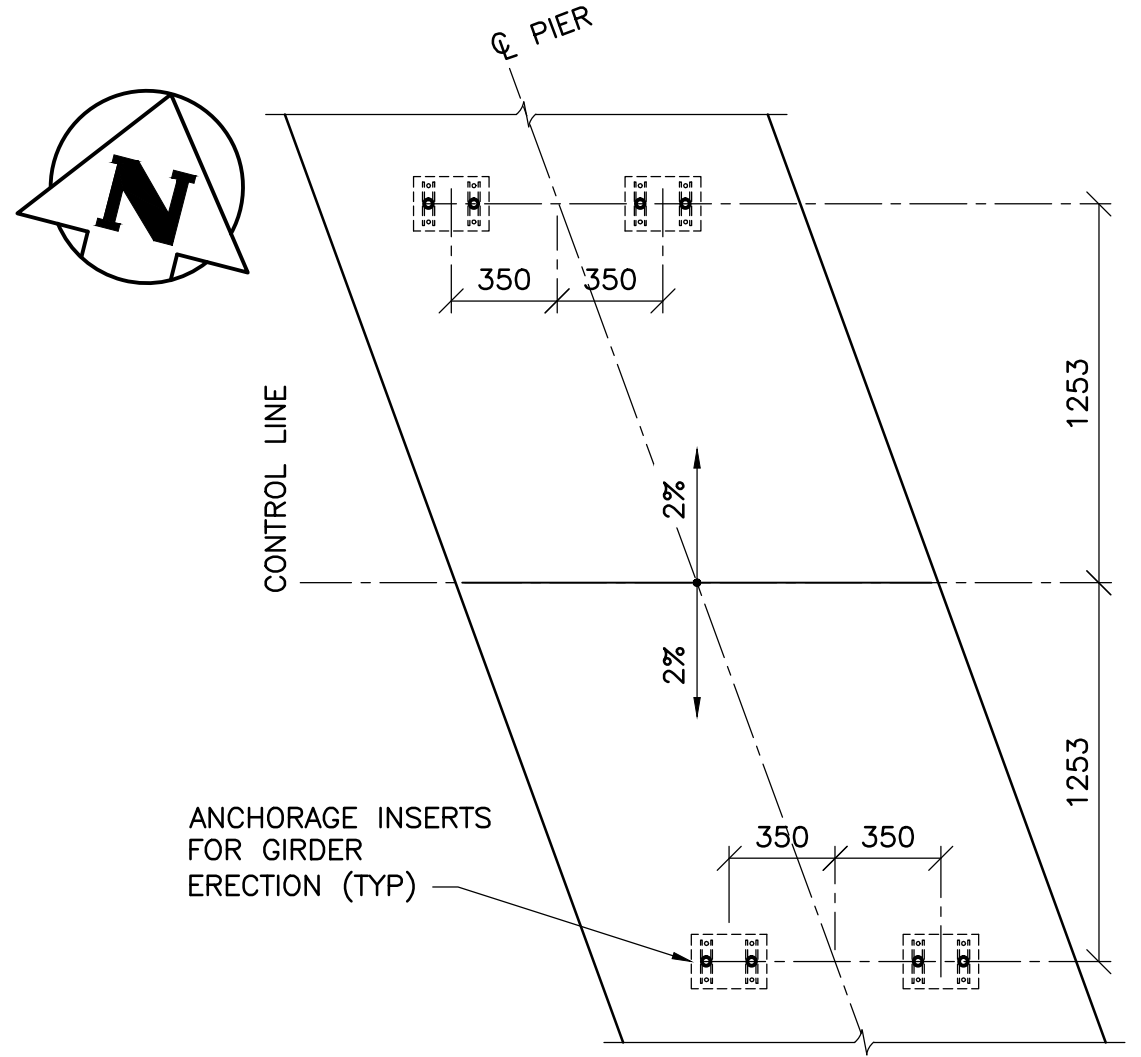
9 SECTION
1 : 20
- TYPICAL FOR EAST AND WEST PIER



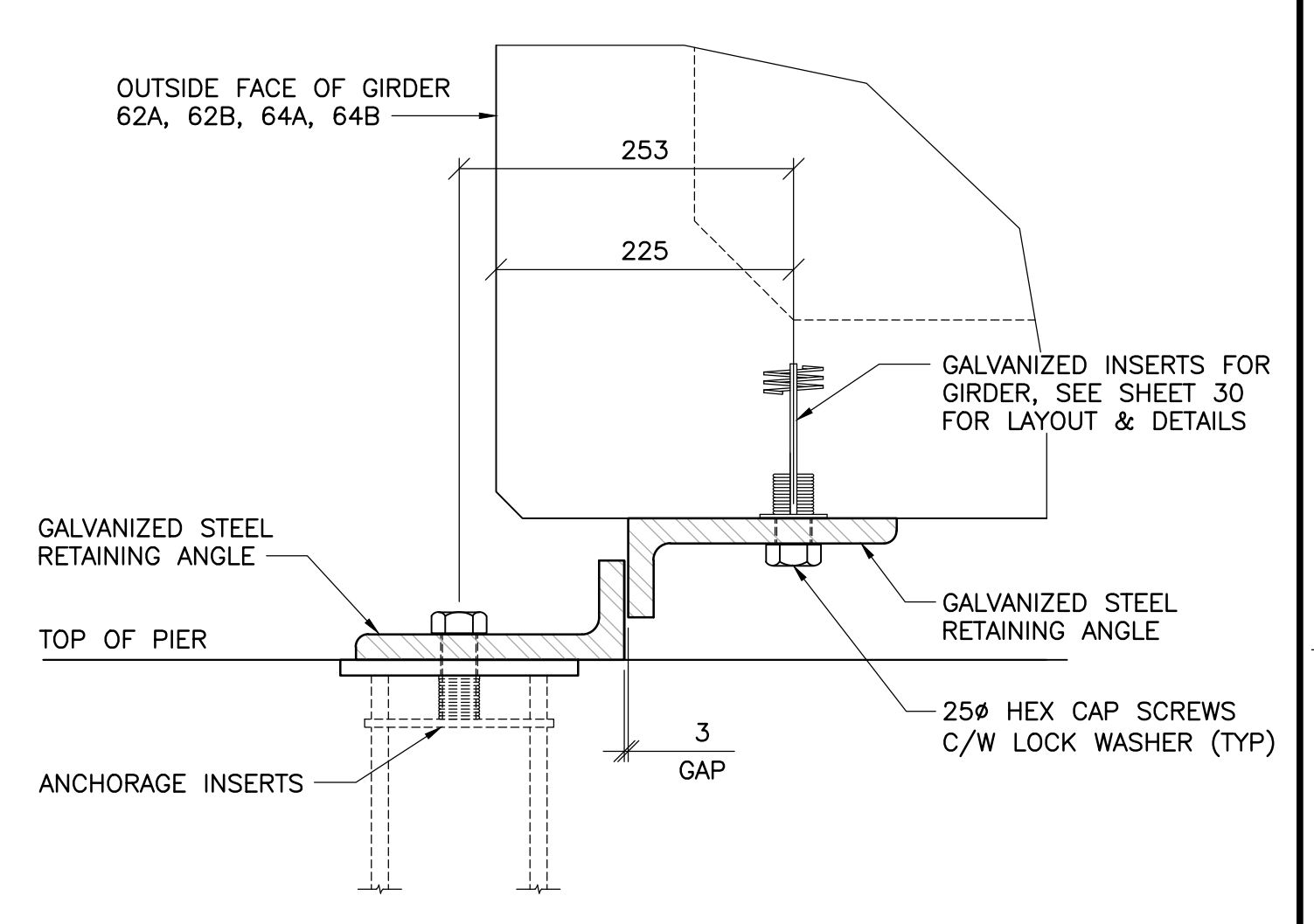
2 WEST AND EAST PIER ELEVATION
1 : 50
- ALL DIMENSIONS TAKEN PERPENDICULAR TO SUPERSTRUCTURE



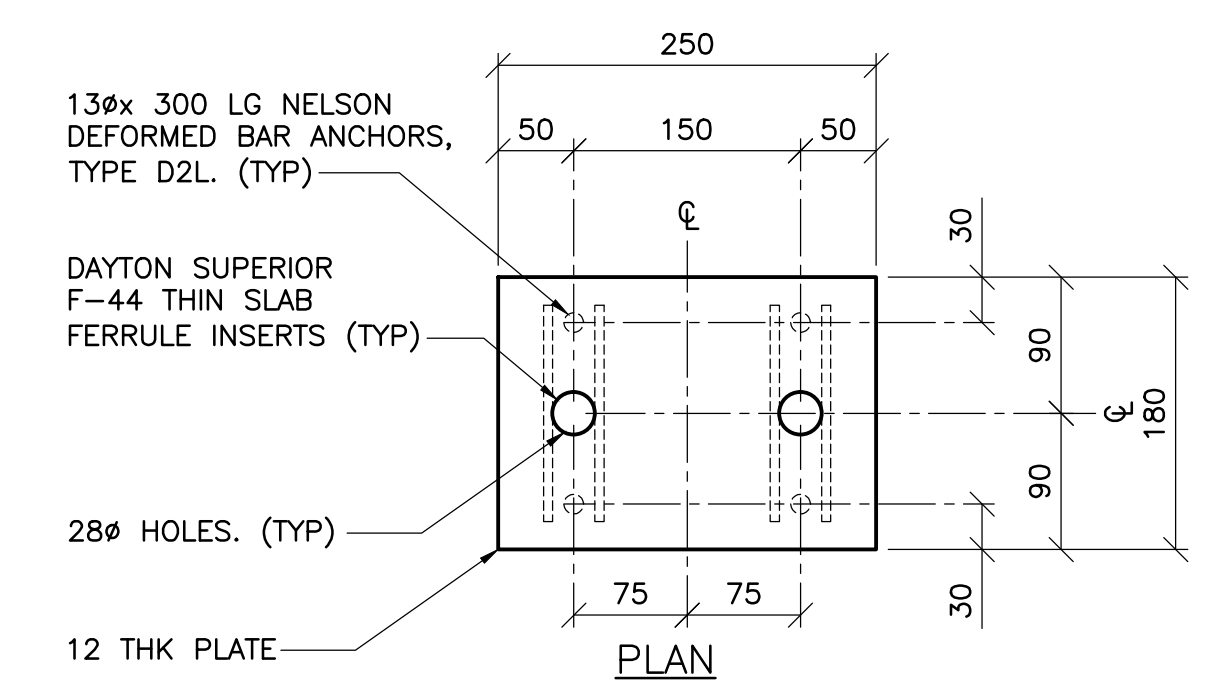
3 SECTION
1 : 50



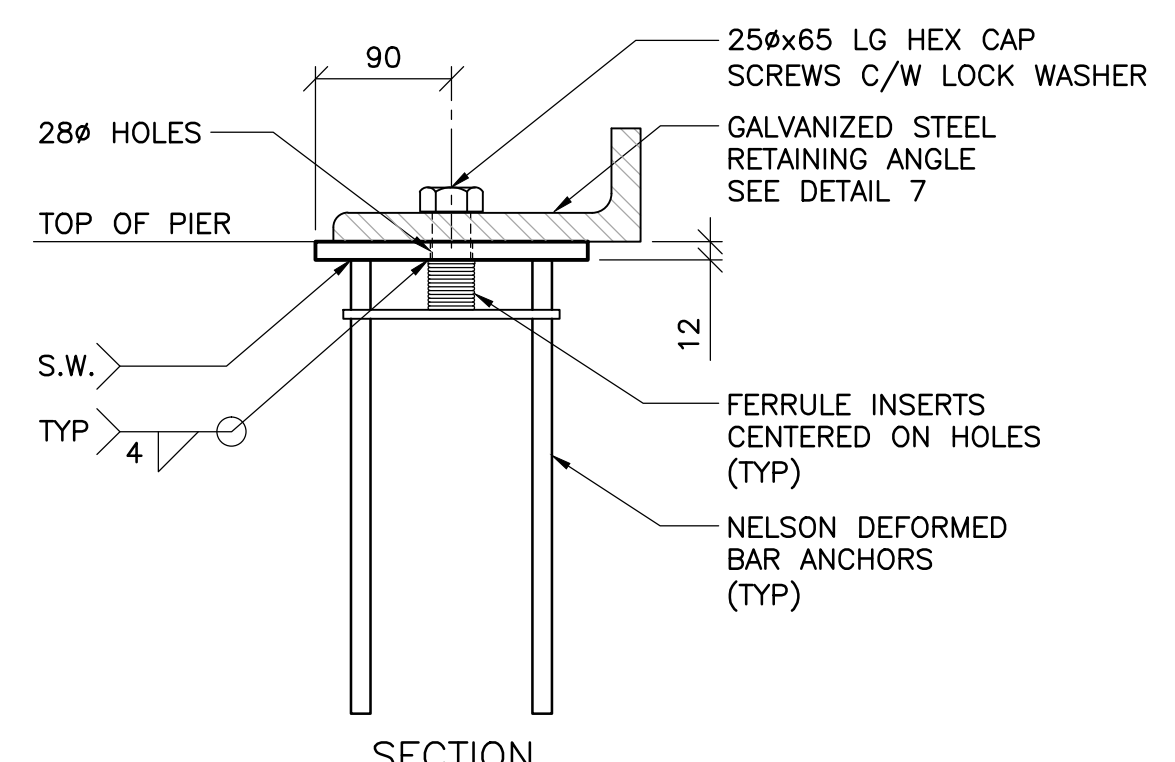
4 PARTIAL - PLAN
1 : 25
- TYPICAL FOR EAST AND WEST PIER



5 RETAINING ANGLE ASSEMBLY DETAIL
1 : 5
- 8 LOCATIONS



6 ANCHORAGE INSERTS DETAIL
1 : 5



7 GALVANIZED RETAINING ANGLE DETAIL
1 : 5
- 16 REQUIRED (TOTAL)



DESIGNED BY D.M.		CHECKED BY J.Z.	
DRAWN BY B.M.		APPROVED BY E.F.S.	
HOR. SCALE: AS NOTED		ACCEPTED BY DATE	
VERTICAL: AS NOTED		ORIGINAL DRAWING SIGNED BY D. MUHURDAREVIC, P.ENG. 17.10.04	
0 ISSUED FOR TENDER 17.10.04 D.M.		CONSULTANT DRAWING NO. 1600070700-DWG-S0024	
NO. REVISIONS		DATE BY DATE 17.10.04	



THE CITY OF WINNIPEG
PUBLIC WORKS DEPARTMENT
ENGINEERING DIVISION

SASKATCHEWAN AVE AT STURGEON CREEK
BRIDGE CONSTRUCTION

EAST AND WEST PIER
CONCRETE DETAILS

CITY DRAWING NUMBER
B248-17-024
SHEET 24 OF 69

24