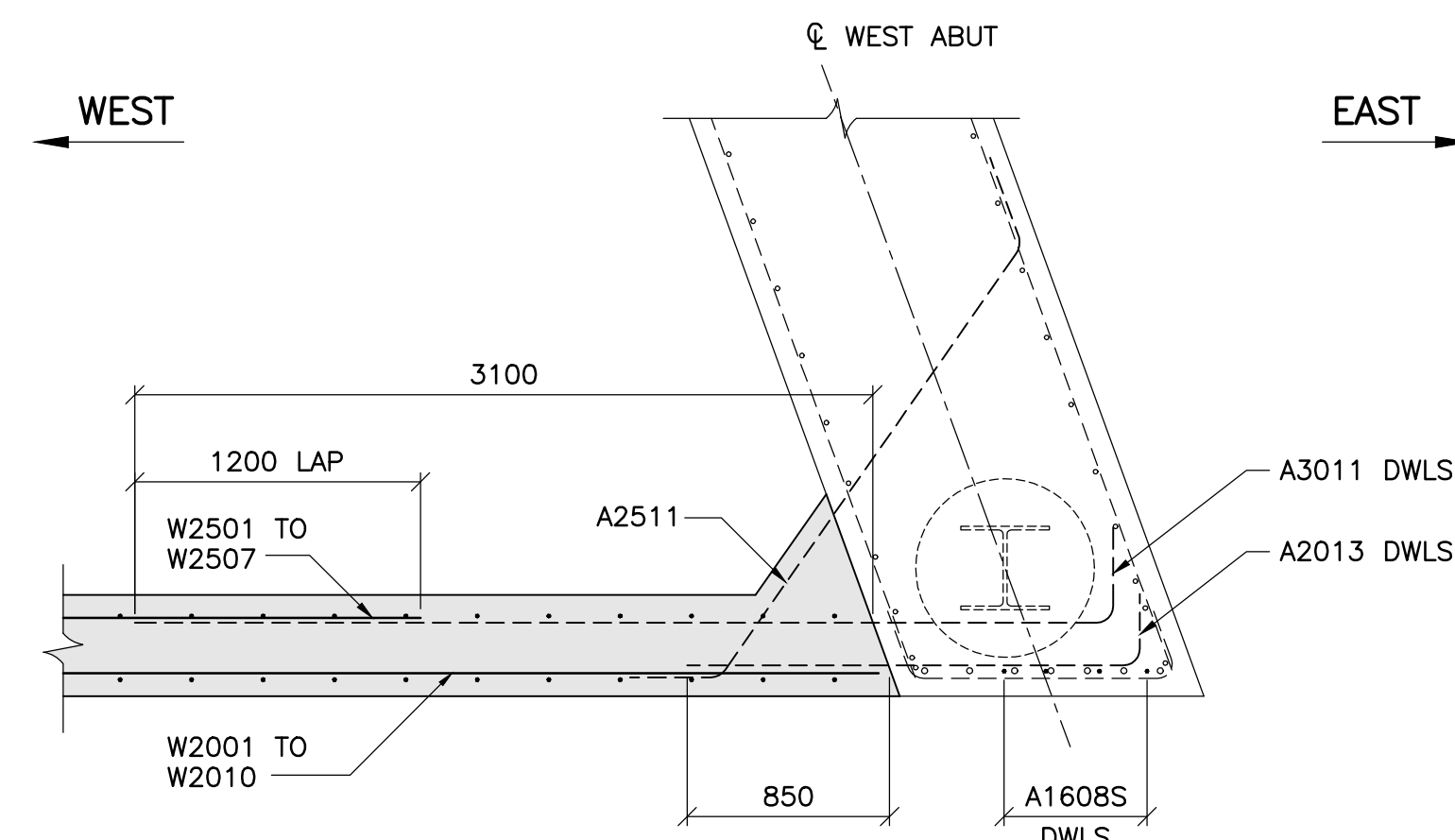
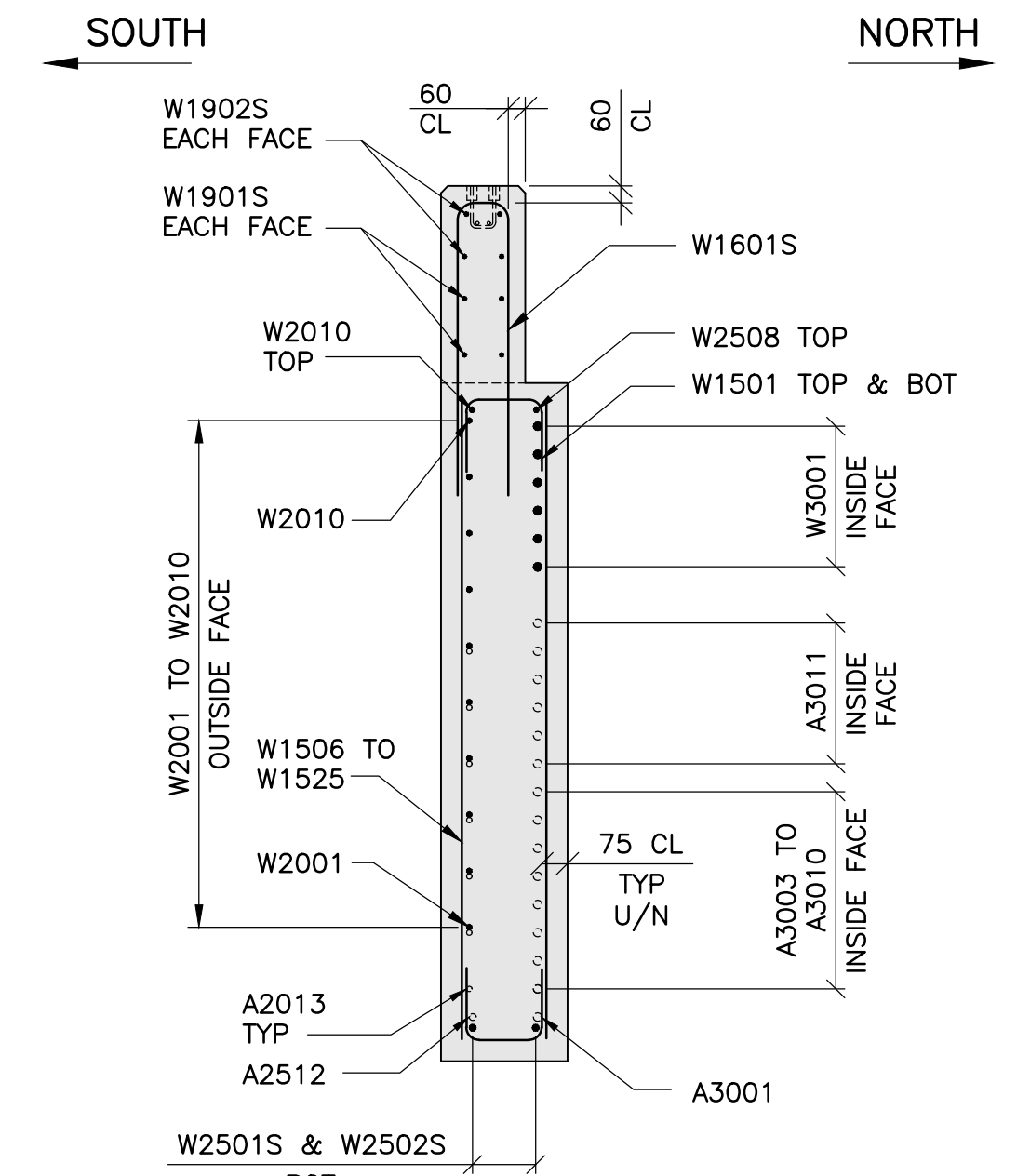


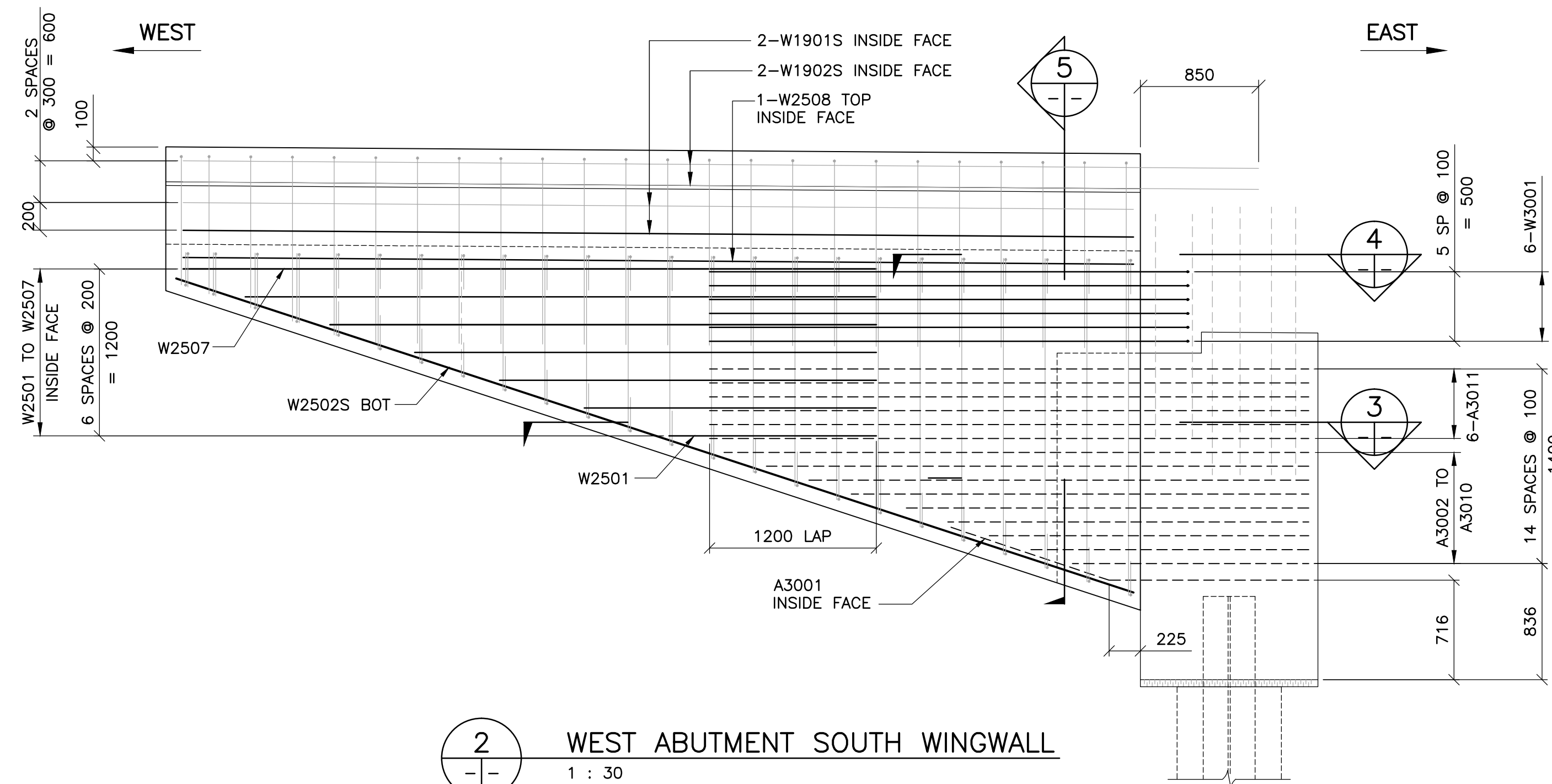
1 WEST ABUTMENT SOUTH WINGWALL
 1 : 30
 - SHOWING OUTSIDE FACE HORIZONTAL REINFORCING, FOR INSIDE FACE HORIZONTAL REINFORCING SEE ELEVATION 2



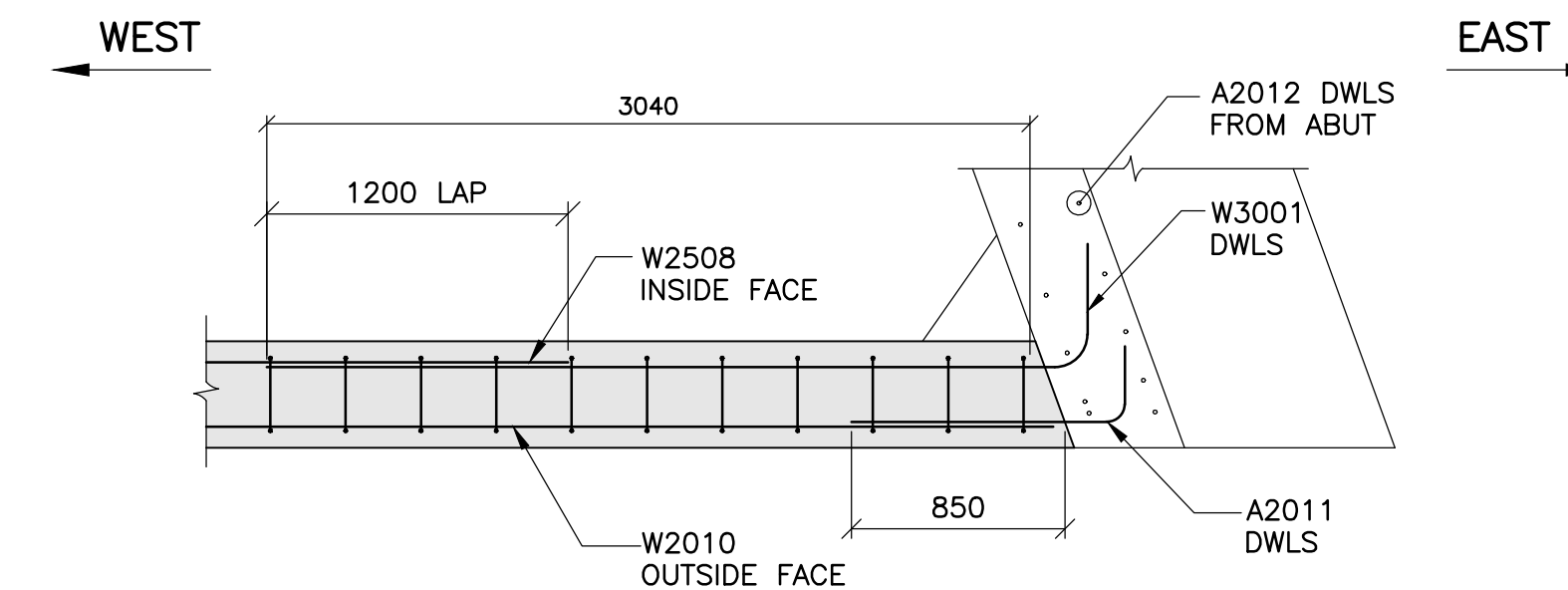
3 SECTION
 1 : 30



5 SECTION
 1 : 25



2 WEST ABUTMENT SOUTH WINGWALL
 1 : 30
 - SHOWING INSIDE FACE HORIZONTAL REINFORCING, FOR OUTSIDE FACE HORIZONTAL REINFORCING SEE ELEVATION 1
 - FOR VERTICAL REINFORCING REFER TO ELEVATION 1



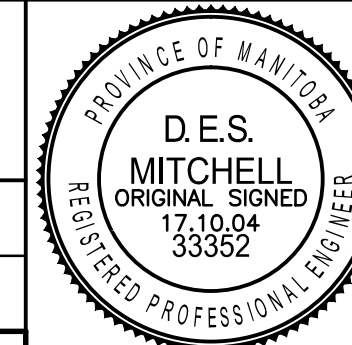
4 SECTION
 1 : 30



B.M. ELEV.			
DESIGNED BY	D.M.	CHECKED BY	J.Z.
DRAWN BY	B.M.	APPROVED BY	E.F.S.
HOR. SCALE:	AS NOTED	ACCEPTED BY	DATE
VERTICAL:		ORIGINAL DRAWING SIGNED BY:	17.10.04
0 ISSUED FOR TENDER	17.10.04	D.M.	
NO. REVISIONS	DATE	BY	DATE
			17.10.04



DESIGNED BY	D.M.	CHECKED BY	J.Z.
DRAWN BY	B.M.	APPROVED BY	E.F.S.
HOR. SCALE:	AS NOTED	ACCEPTED BY	DATE
VERTICAL:		ORIGINAL DRAWING SIGNED BY:	17.10.04
0 ISSUED FOR TENDER	17.10.04	D.M.	
NO. REVISIONS	DATE	BY	DATE
			17.10.04



CONSULTANT DRAWING NO. 1600070700-DWG-S0020



SASKATCHEWAN AVE AT STURGEON CREEK BRIDGE CONSTRUCTION	CITY DRAWING NUMBER B248-17-020
WEST ABUTMENT - SOUTH WINGWALL REINFORCING DETAILS SHEET 2 OF 5	SHEET 20 OF 69
	20