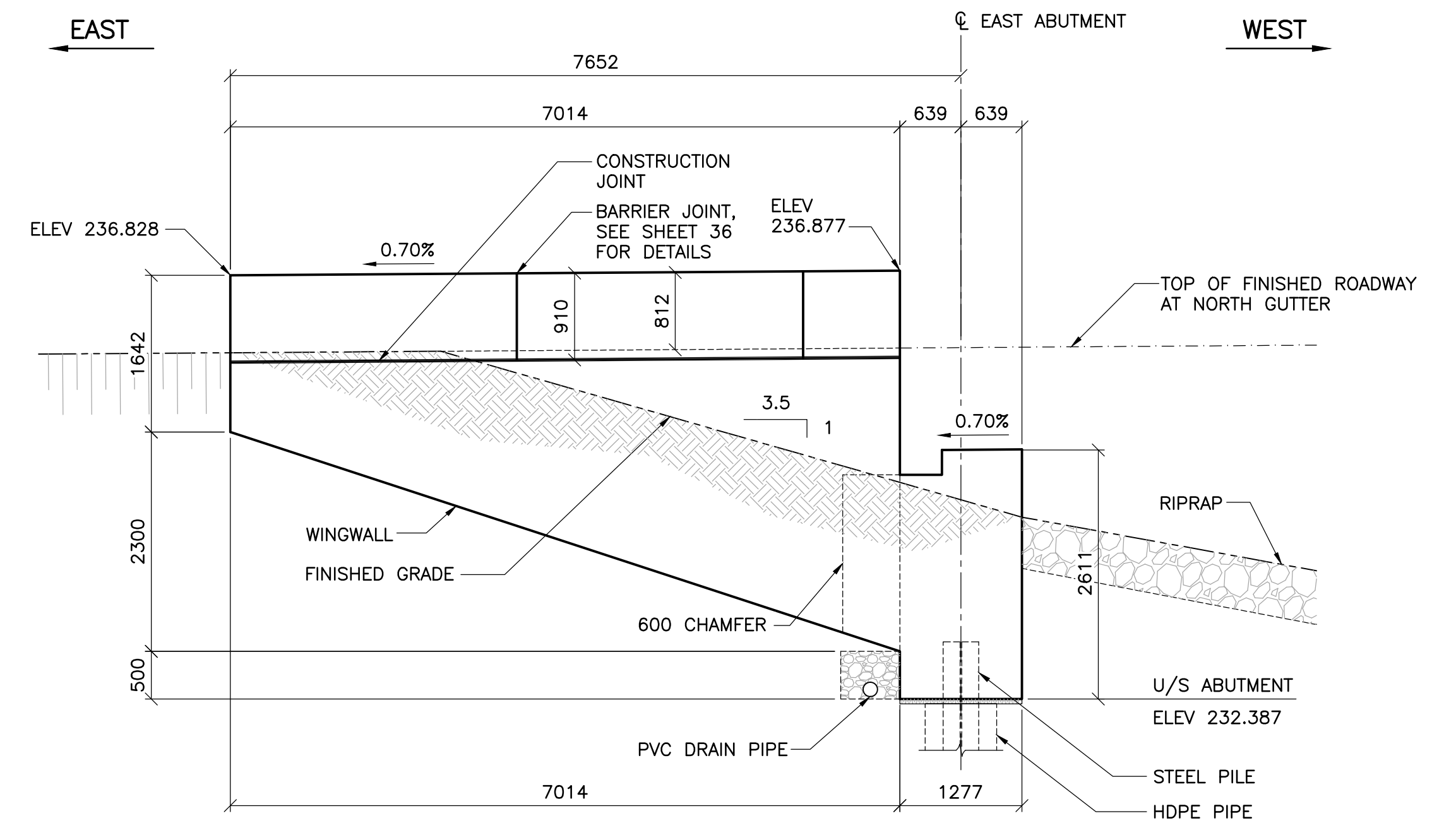
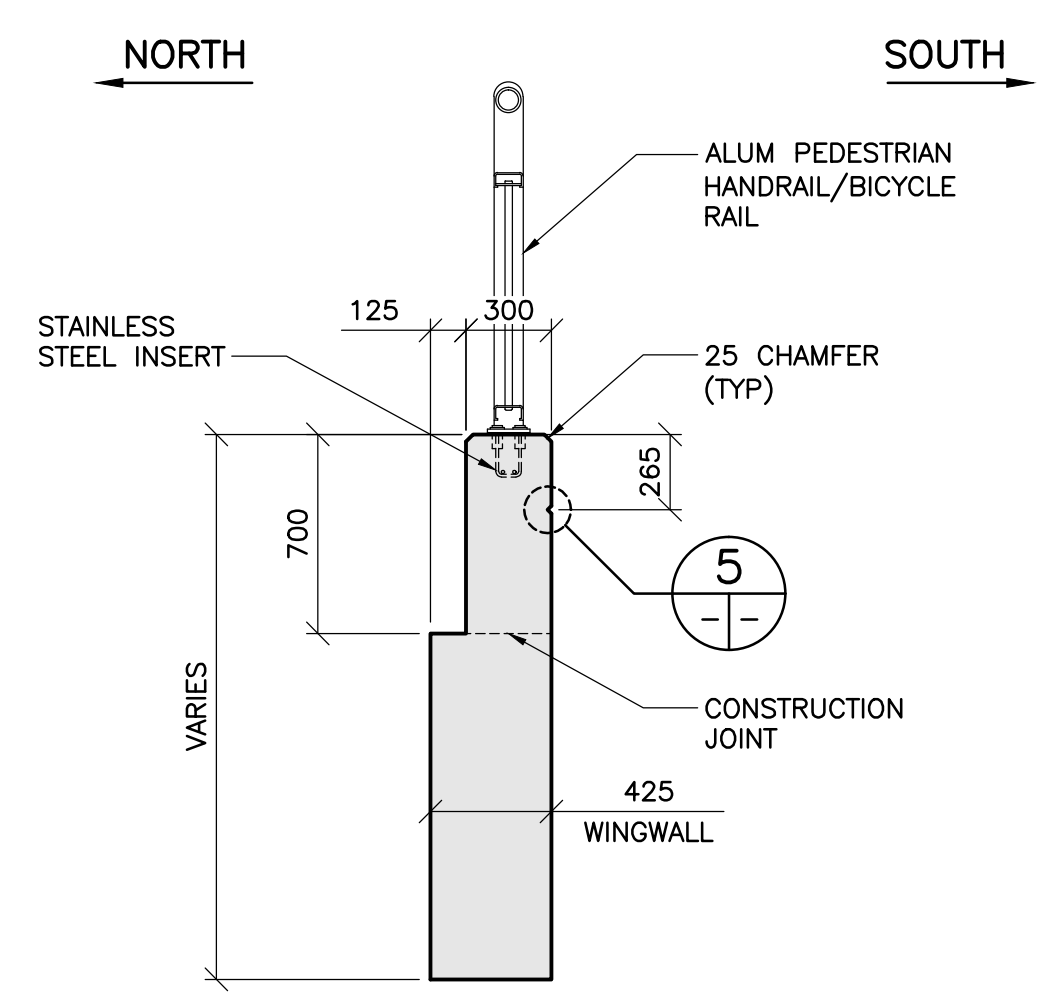


1 EAST ABUTMENT SOUTH WINGWALL ELEVATION
17 | 18 1 : 50

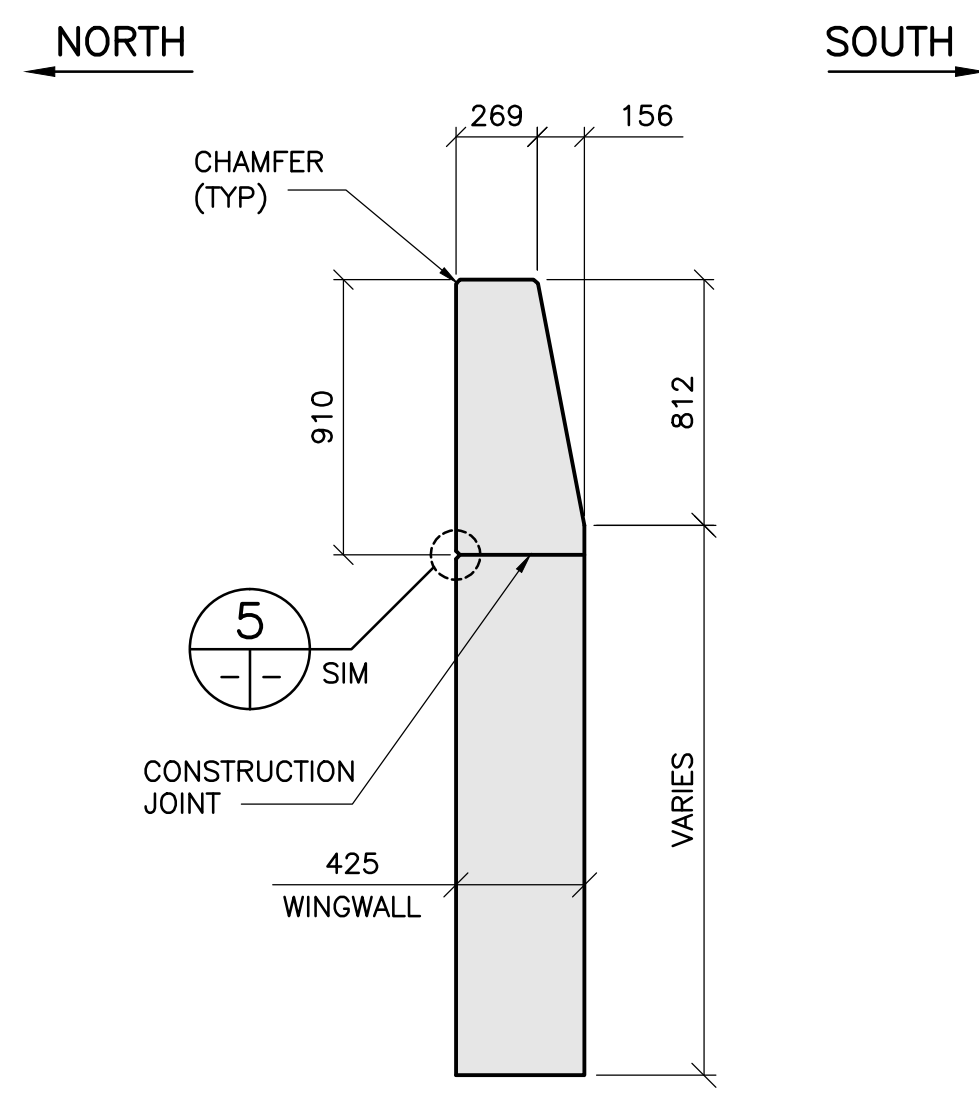


2 EAST ABUTMENT NORTH WINGWALL ELEVATION
17 | 18 1 : 50

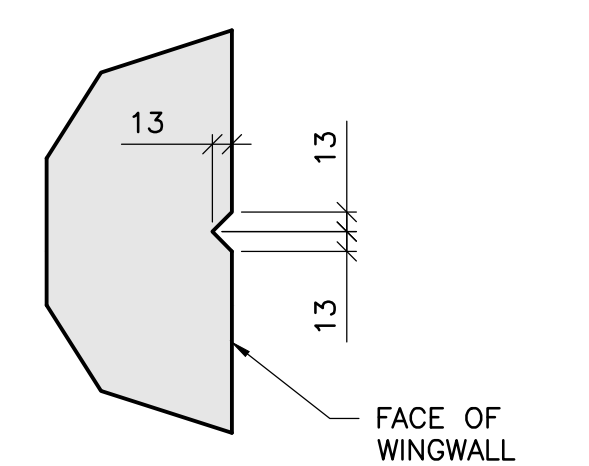
NOTE:
WINGWALLS TO BE FULLY SUPPORTED TO RESTRICT ROTATION OF THE ABUTMENT UNTIL GIRDERS HAVE BEEN PLACED AND BACKFILL AT ABUTMENT COMPACTED TO APPROACH SLAB ELEVATION.



3 SECTION
17 | 18 1 : 25



4 SECTION
17 | 18 1 : 25



5 DETAIL
17 | 18 1 : 5



ENGINEERS
GEOSCIENTISTS
MANITOBA
Certificate of Authorization
Tetra Tech Canada Inc.
No. 6499

DESIGNED BY: D.M.	CHECKED BY: J.Z.		THE CITY OF WINNIPEG PUBLIC WORKS DEPARTMENT ENGINEERING DIVISION	
DRAWN BY: B.M.	APPROVED BY: E.F.S.	SASKATCHEWAN AVE AT STURGEON CREEK BRIDGE CONSTRUCTION		CITY DRAWING NUMBER B248-17-018
HOR. SCALE: AS NOTED VERTICAL: AS NOTED		ACCEPTED BY: DATE 17.10.04 ORIGINAL DRAWING SIGNED BY: D. MUHURDAREVIC, P.ENG.		SHEET 18 OF 69
0 ISSUED FOR TENDER 17.10.04 D.M.		CONSULTANT DRAWING NO. 1600070700-DWG-S0018		EAST ABUTMENT CONCRETE DETAILS SHEET 2 OF 2
NO. REVISIONS	DATE	BY	DATE	18