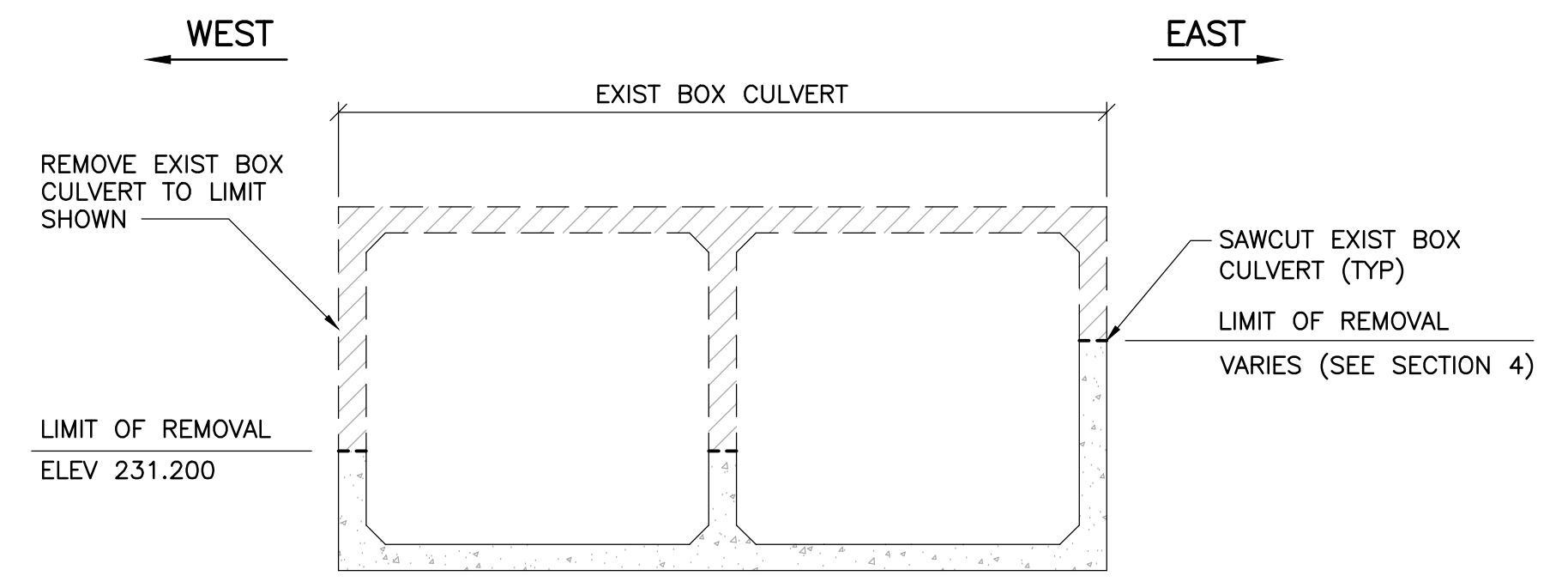
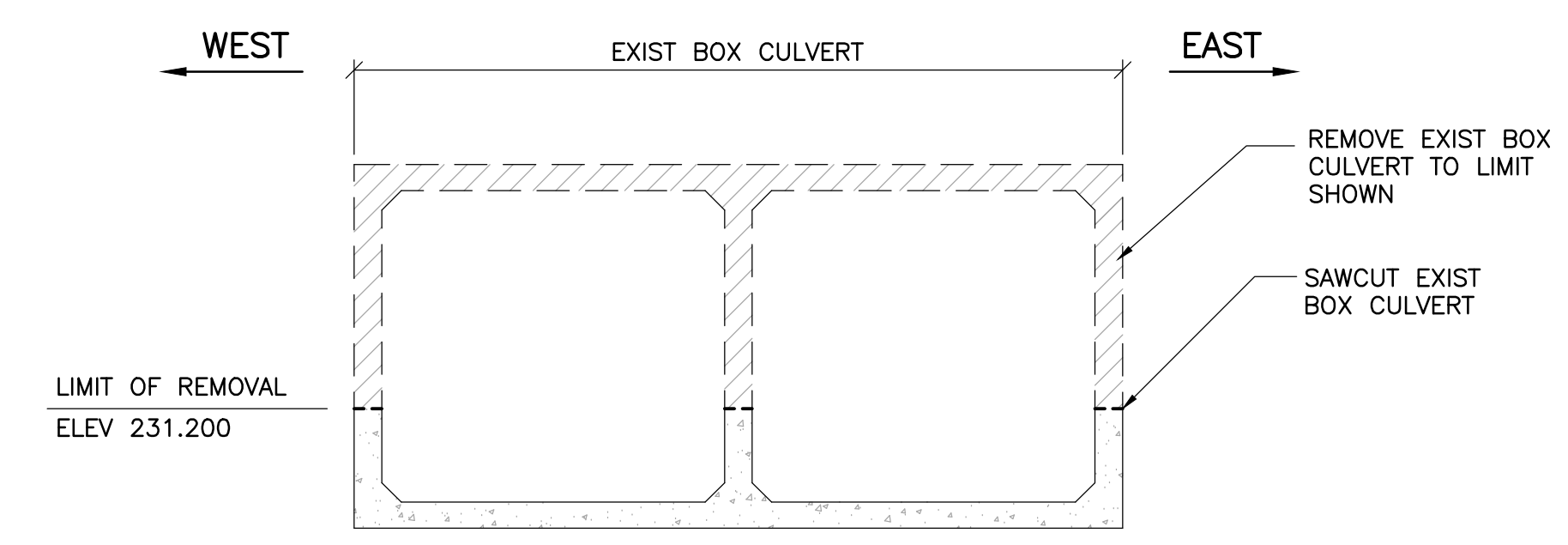


1 REMOVALS - PLAN
1 : 200

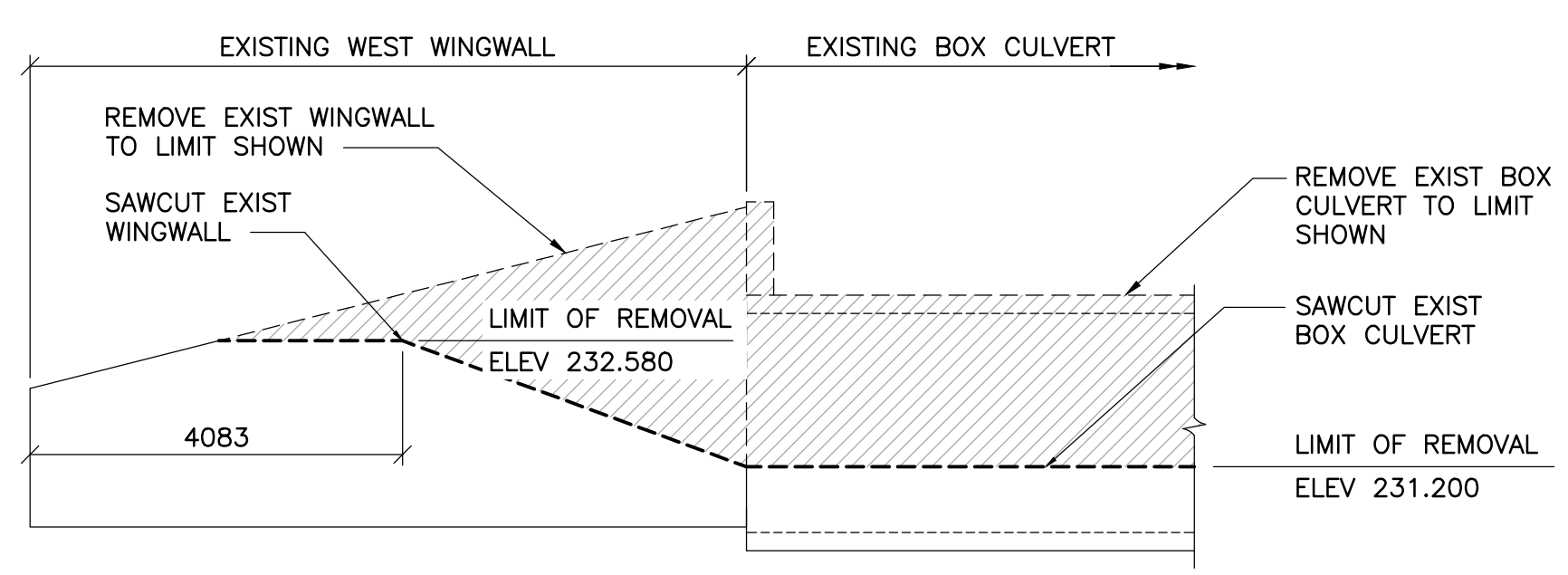


1 BOX CULVERT REMOVAL - SECTION
1 : 50

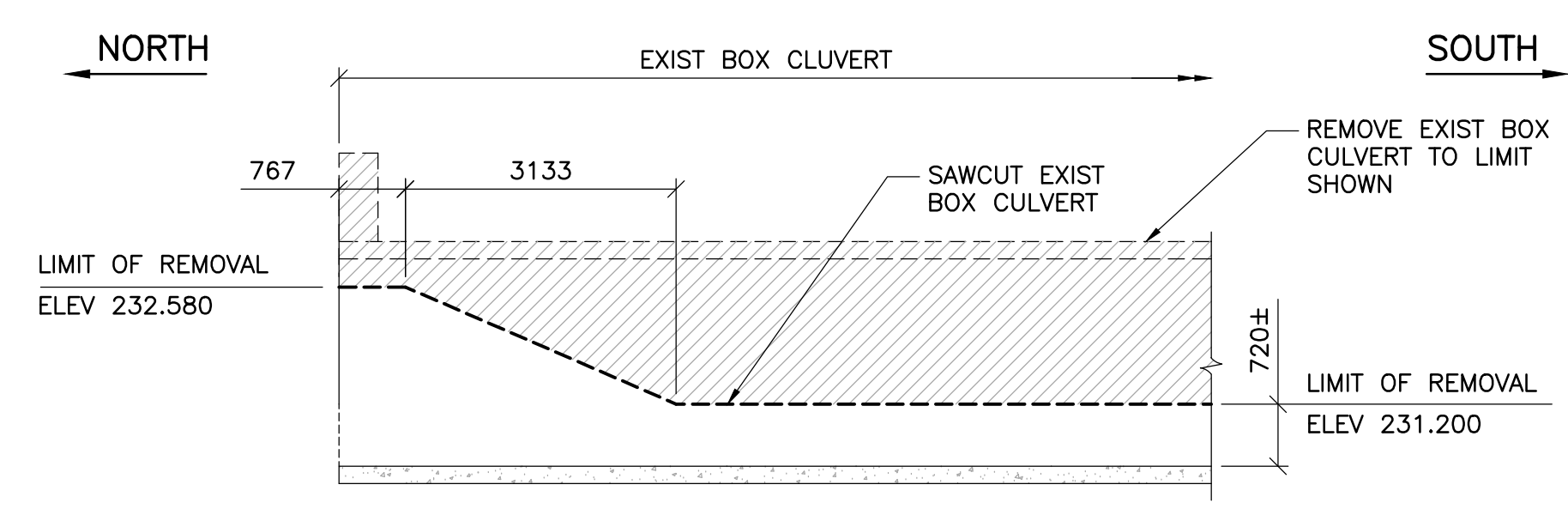


2 BOX CULVERT REMOVAL - SECTION
1 : 50

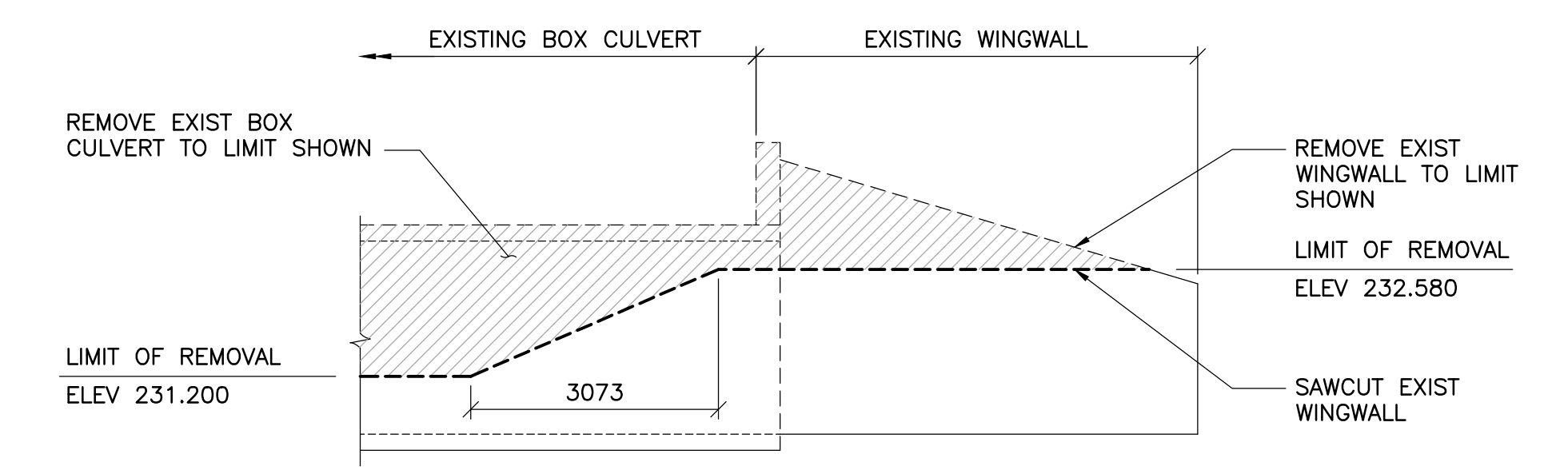
NOTE:
TEMPORARY COFFERDAM ALSO REQUIRED, UPSTREAM OF ROCK KEY, AND FLOATING TURBIDITY BARRIER REQUIRED UPSTREAM OF NATURAL WEIR TO ISOLATE BRIDGE SITE.



3 SECTION AT WEST BOX CULVERT WINGWALL
1 : 75



4 BOX CULVERT REMOVAL - SECTION
1 : 75



5 SECTION AT EAST BOX CULVERT WINGWALL
1 : 75

DEMOLITION NOTES:

1. THE INTENT OF THIS DRAWING IS TO SHOW THE GENERAL LAYOUT OF THE EXISTING CULVERT. REFER TO THE EXISTING DRAWINGS OF THE CREEK FOR COMPLETE DETAILS.
2. THE CONTRACTOR IS RESPONSIBLE FOR VERIFYING ALL DIMENSIONS OF EXISTING STRUCTURES.
3. DEMOLITION INCLUDES ALL COMPONENTS OF THE EXISTING CULVERT, INCLUDING HEADWALLS TO THE LIMITS SHOWN IN THE DRAWINGS.
4. THE CONTRACTOR IS RESPONSIBLE FOR SAFETY AND INTEGRITY OF THE STRUCTURES DURING DEMOLITION.
5. DO NOT DISPOSE OF ANY MATERIALS IN ANY PORTION OF THE CREEK.
6. SALVAGE ITEMS AS DIRECTED BY THE CONTRACT ADMINISTRATOR.
7. THE CONTRACTOR IS RESPONSIBLE FOR DETERMINING THE EXISTENCE, LOCATION, AND ELEVATION OF ALL UTILITIES AND/OR STRUCTURES AND IS RESPONSIBLE FOR NOTIFYING THE APPROPRIATE COMPANY, DEPARTMENT, OR PERSON(S) OF ITS INTENTION TO CARRY OUT ITS OPERATIONS.

LIST OF SALVAGE ITEMS:

1. ALUMINUM BALANCED BARRIER INCLUDING POSTS, RAILING AND SPLICE BARS.



B.M. ELEV.					
				THE CITY OF WINNIPEG PUBLIC WORKS DEPARTMENT ENGINEERING DIVISION	
DESIGNED BY D.M.	CHECKED BY J.Z.	SASKATCHEWAN AVE AT STURGEON CREEK BRIDGE CONSTRUCTION		CITY DRAWING NUMBER B248-17-009	
DRAWN BY B.M.	APPROVED BY E.F.S.	HOR. SCALE: AS NOTED VERTICAL: AS NOTED		SHEET 9 OF 69	
0 ISSUED FOR TENDER	17.10.04 D.M.	ACCEPTED BY DATE ORIGINAL DRAWING 17.10.04 SIGNED BY: D. MUHURDAREVIC, P.ENG.		CULVERT DEMOLITION PLAN AND SECTIONS	
NO. REVISIONS	DATE BY	CONSULTANT DRAWING NO. 1600070700-DWG-S0009		9	