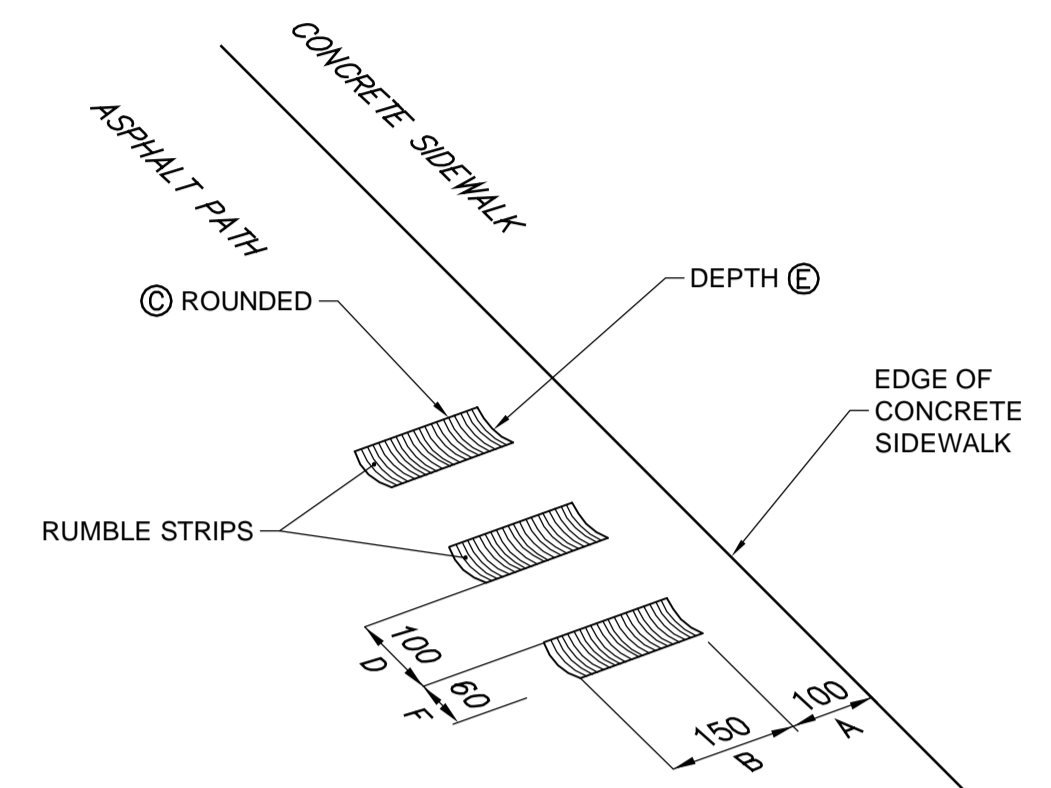
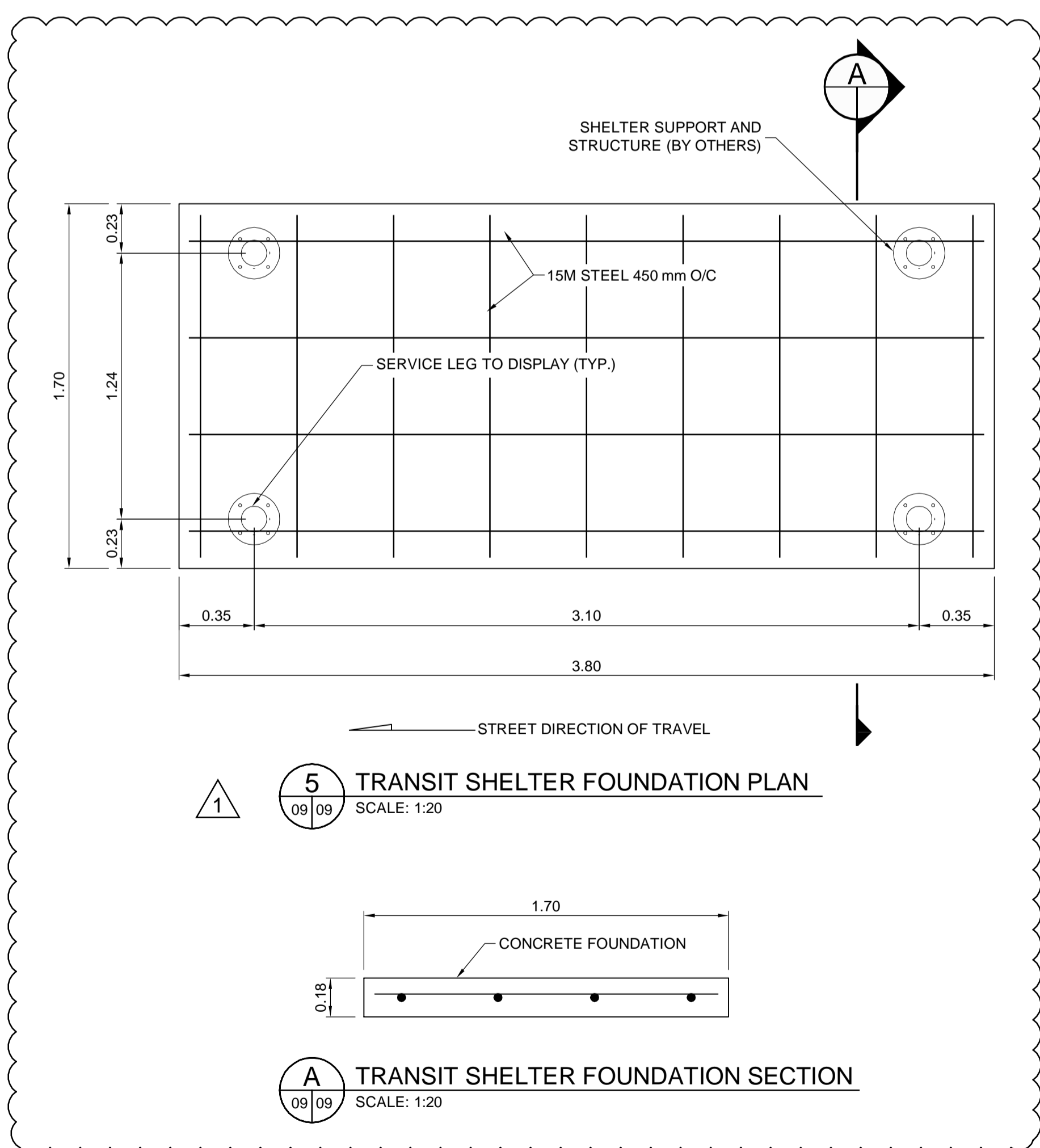


1 BUS STOP DETAIL
06/09 SCALE: 1:100

- A - DISTANCE FROM THE EDGE OF CONC. SIDEWALK (100 mm)
- B - WIDTH OF PATTERN (TRAVERSE TO DIRECTION OF TRAVEL (150 mm))
- C - STRIP SHAPE (ROUNDED)
- D - SPACING BETWEEN STRIPS (100 mm)
- E - STRIP DEPTH (6 mm)
- F - STRIP LENGTH (LONGITUDINAL TO DIRECTION OF TRAVEL (60 mm))

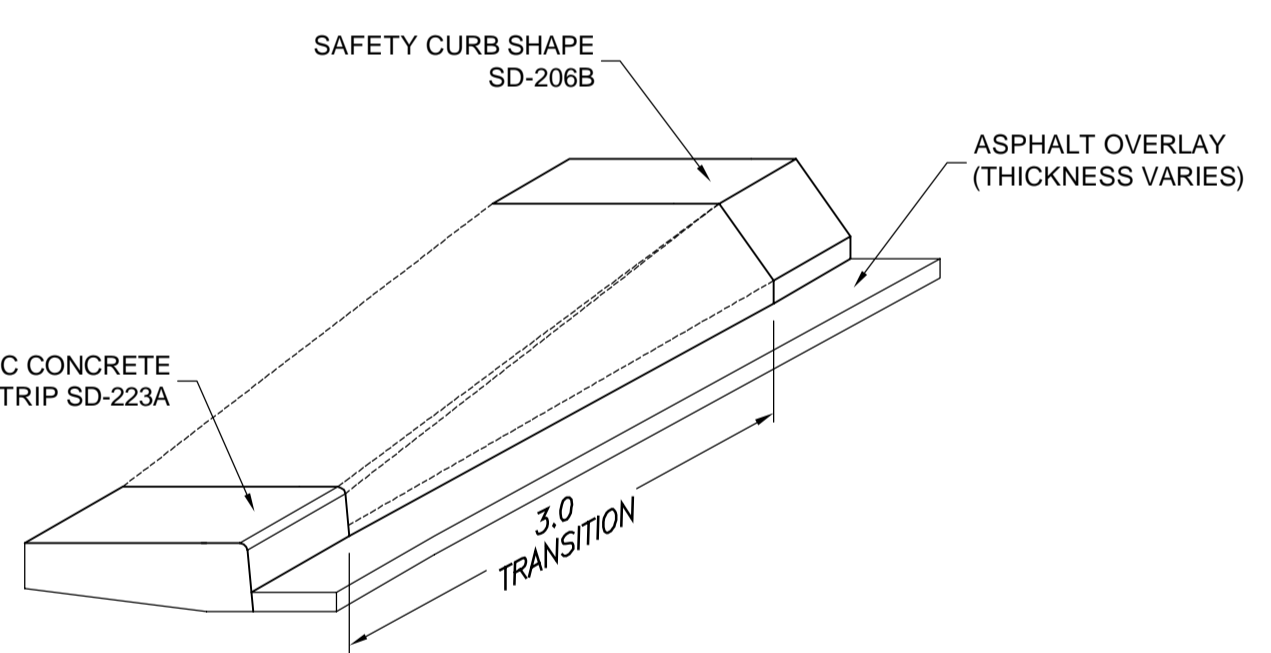


4 ASPHALT RUMBLE STRIP
02-07-09/09 NTS

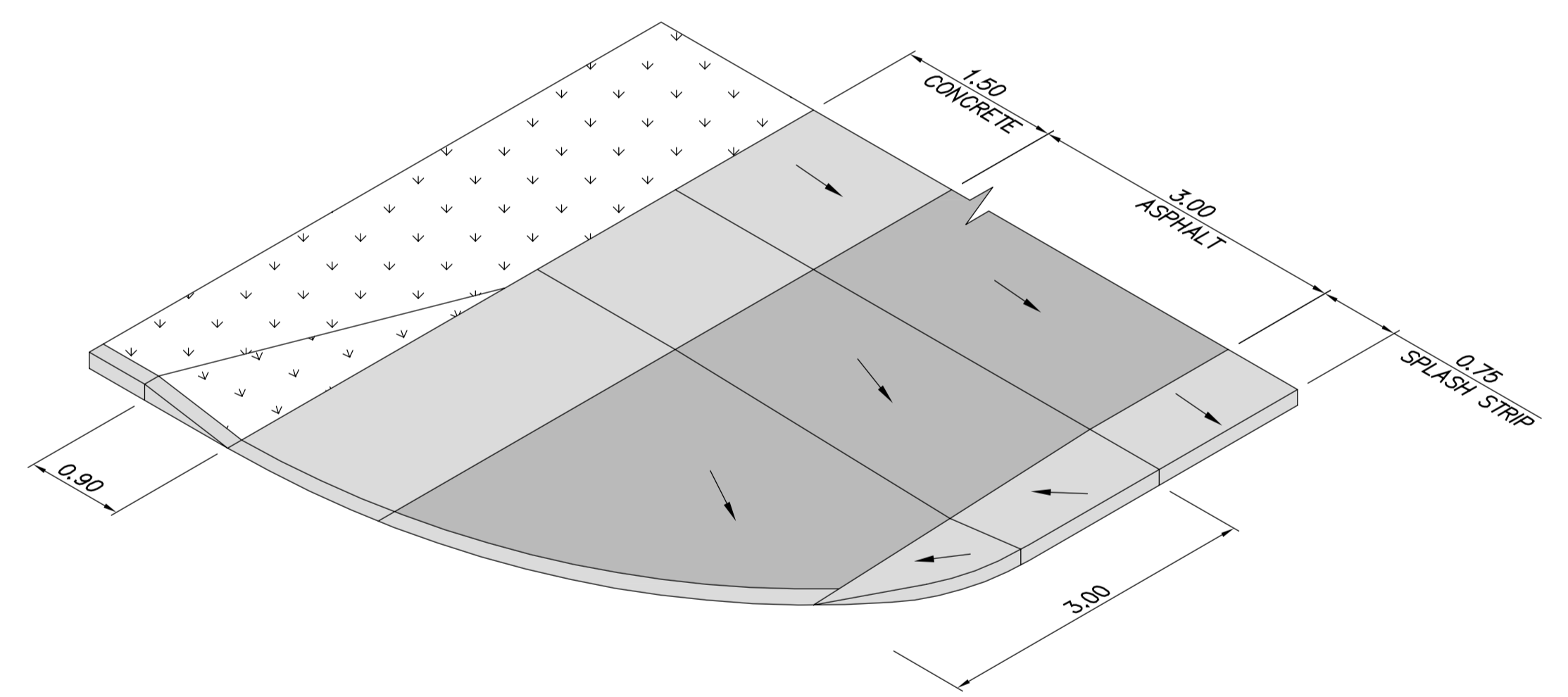


5 TRANSIT SHELTER FOUNDATION PLAN
09/09 SCALE: 1:20

A TRANSIT SHELTER FOUNDATION SECTION
09/09 SCALE: 1:20



2 MONOLITHIC SPLASH STRIP TO SAFETY CURB SHAPE TRANSITION
06/09 SCALE: 1:25



3 SPLASH STRIP CURB TRANSITION (TYP)
02/09 SCALE: 1:50

APEGM
Certificate of Authorization
Dillon Consulting Limited (MB)
No. 1789 Date: 2018/01/17

G:\CAD\176149\Drawings\Roadworks\Contract\176149-COIN-CT-DETAILS.dwg

150 WM	WATERMAIN	150 WM	CONCRETE	150 WM	WATERMAIN	150 WM	UNDERGROUND STRUCTURES	B.M. ELEV.	DESIGNED BY	ENGINEER'S SEAL	THE CITY OF WINNIPEG PUBLIC WORKS DEPARTMENT	CITY DRAWING NUMBER
⊕	HYDRANT	⊕	ASPHALT	300 LDS	LAND DRAINAGE SEWER	300 LDS	SUPV. U/G STRUCTURES		TJH			P-3493-2018-09
⊗	VALVE	⊗	PLANING	250 WWS	WASTE WATER SEWER	250 WWS	DATE	TJH	PEMBINA HIGHWAY REHABILITATION AND ACTIVE TRANSPORTATION PATH			SHEET 09 OF 10
○	MANHOLE	○	SIDEWALK	+	HYDRANT	+		TS	RELEASSED FOR CONSTRUCTION			CONSULTANT DRAWING NUMBER
□	CATCH BASIN	■	PAVING STONES	+	VALVE	+		TJP	17-6149			DETAILS
▽	CURB INLET	■	PARTIAL DEPTH REPAIR	+	⊕ PROFILE	+			1:250			
300 LDS	LAND DRAINAGE SEWER	300 LDS	PROPERTY LINE	+	⊕ NORTH/WEST GUTTER	+			1:10			
250 WWS	WASTE WATER SEWER	250 WWS	DRAINAGE ARROW	→	⊕ SOUTH/EAST GUTTER	+						
HYDRO	HYDRO	HYDRO			⊕ NORTH/WEST DITCH	+						
MTS	M.T.S.	MTS			⊕ SOUTH/EAST DITCH	+						
100 GAS	GAS	100 GAS										
EXISTING	LEGEND-PLAN	PROPOSED	EXISTING	LEGEND-PLAN	PROPOSED	EXISTING	LEGEND-PROFILE	PROPOSED				