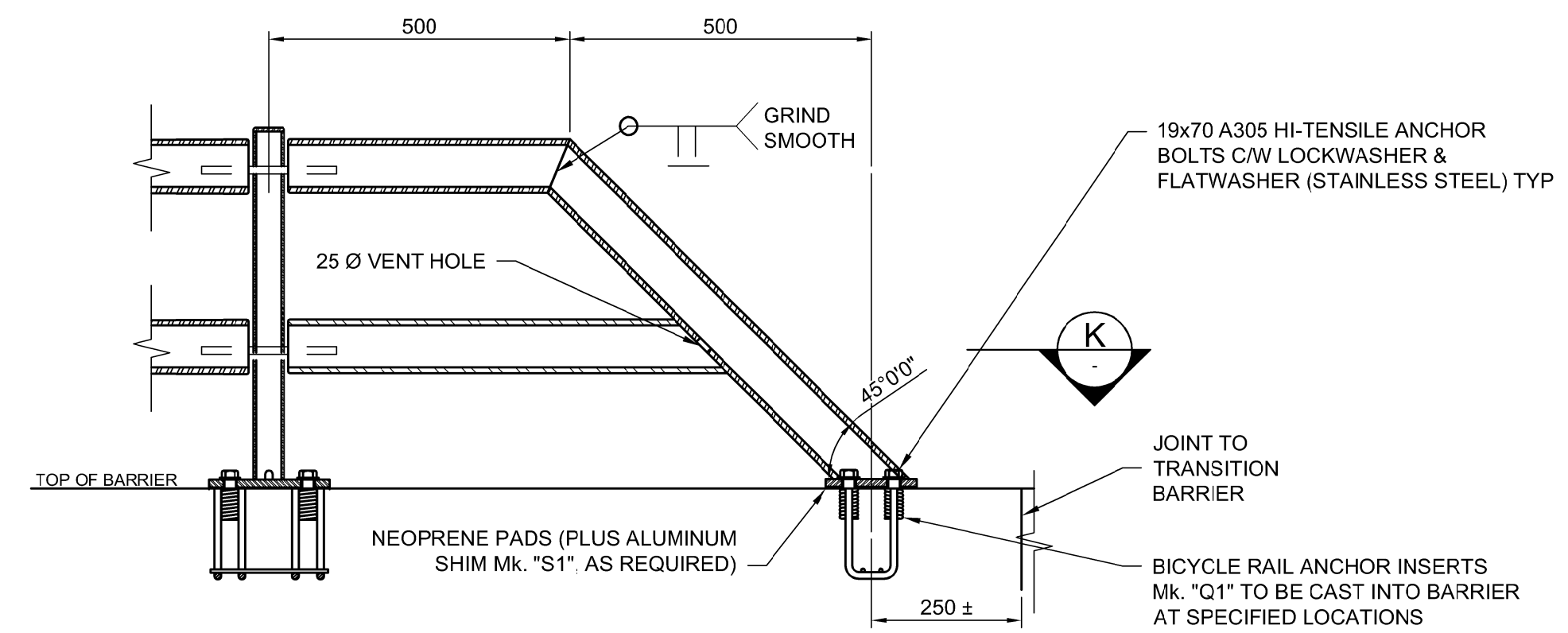


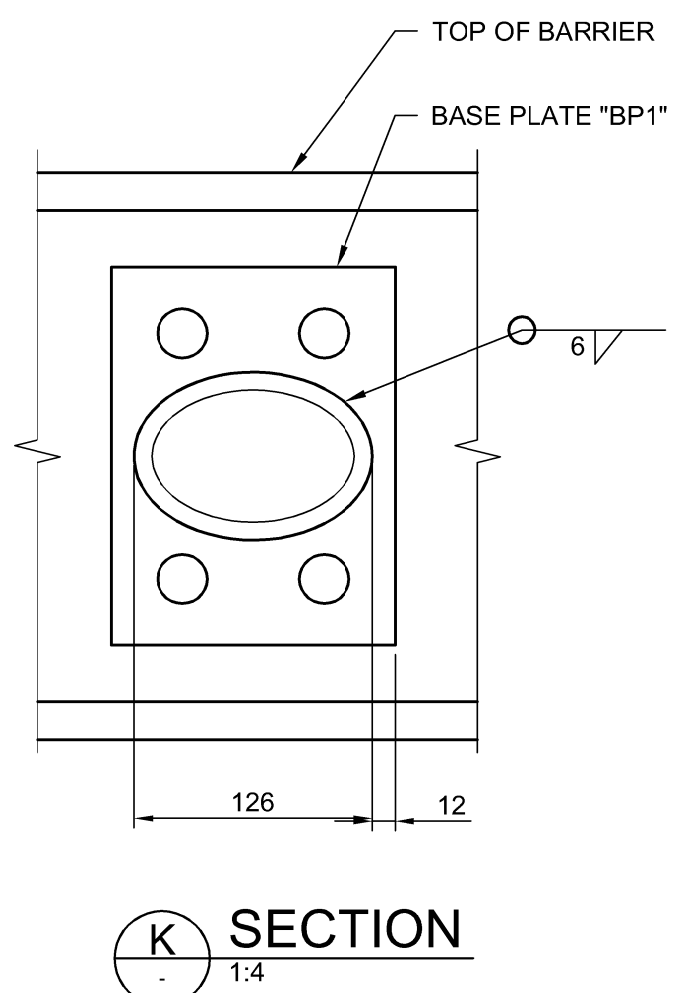
**DETAIL OF POST Mk. "P5"**  
1:4

**DETAIL OF POST Mk. "P4"**  
1:4

TYPICAL AT END OF EXISTING RETAINING WALL TO NEW BARRIER WALL BICYCLE RAIL  
MAY HAVE OPPOSITE ORIENTATION AT SOME LOCATIONS



**END UNIT**  
1:10



**SECTION K**  
1:4

**APCGM**  
Certificate of Authorization  
Dillon Consulting Limited (MB)  
No. 1789 Date: 18/03/16

UNDERGROUND STRUCTURES  SUPPLY U/G STRUCTURES DATE	B.M. ELEV.	DESIGNED BY	DRA		ENGINEER'S SEAL 		<b>THE CITY OF WINNIPEG</b> PUBLIC WORKS DEPARTMENT			
		DRAWN BY	DJB							
LOCATION OF UNDERGROUND STRUCTURES AS SHOWN ARE BASED ON THE BEST INFORMATION AVAILABLE. BUT NO GUARANTEE IS GIVEN THAT ALL EXISTING UTILITIES ARE SHOWN OR THAT THE GIVEN LOCATIONS ARE EXACT. CONFIRMATION OF EXISTENCE AND EXACT LOCATION OF ALL SERVICES MUST BE OBTAINED FROM THE INDIVIDUAL UTILITIES BEFORE PROCEEDING WITH CONSTRUCTION.	NO. REVISIONS	CHECKED BY	DRA	RELEASED FOR CONSTRUCTION DATE	CONSULTANT PROJECT NUMBER 17-6152	2018 REGIONAL STREET RENEWAL PROJECT McPHILLIPS STREET RECONSTRUCTION AND UNDERPASS STRUCTURAL IMPROVEMENTS LOGAN AVENUE TO JARVIS AVENUE	CITY DRAWING NUMBER	U212-18-CS-023-R0		
		APPROVED BY	TJP				SHEET	023 OF 026		
		ISSUED FOR TENDER	18/03/16				DATE	18/03/16	CONSULTANT DRAWING NUMBER	CS-023
									ALUMINUM PEDESTRIAN HANDRAIL DETAILS (3 OF 5)	

G:\CAD\176152\Drawings\Structural\Contract\176152-COM-CS-PED-HANDRAIL-DETAILS\_3.dwg