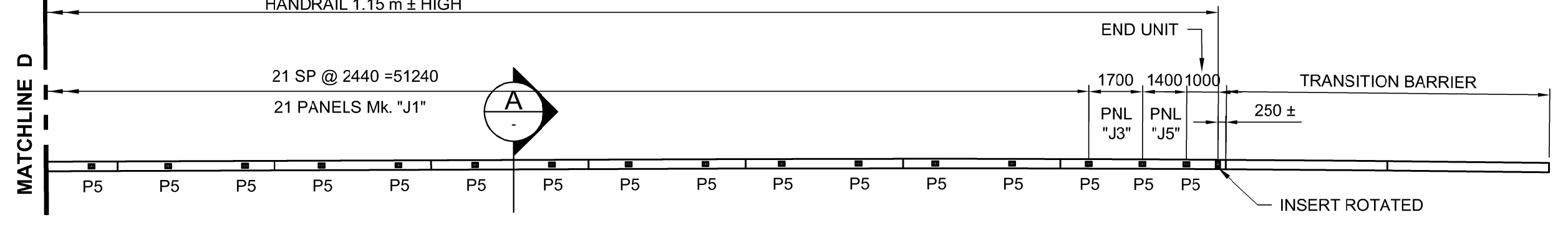
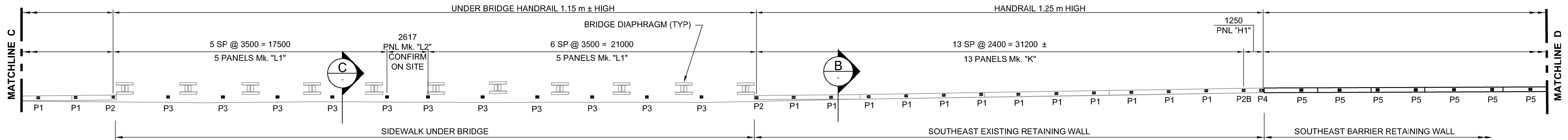
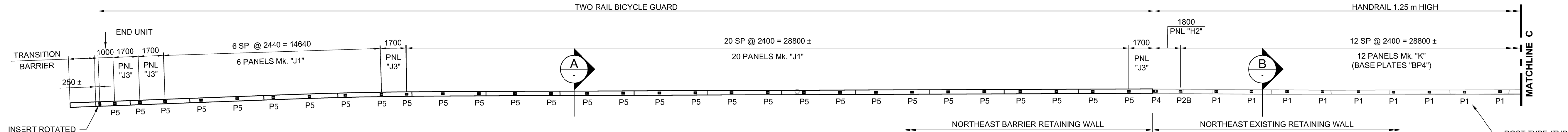
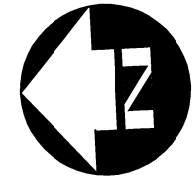


WEST PEDESTRIAN HANDRAIL PLAN
1:150
STAGE 1

POST CONNECTION		
POST TYPE	BASE PLATE	ANCHORAGE
P1	BP3/BP4	EXISTING INSERTS
P2/P2B	BP3	
P3	BP1	CONCRETE ANCHORS
P4	BP2	
P5	BP1	INSERT Mk. "Q1"



EAST PEDESTRIAN HANDRAIL PLAN
1:150
STAGE 2

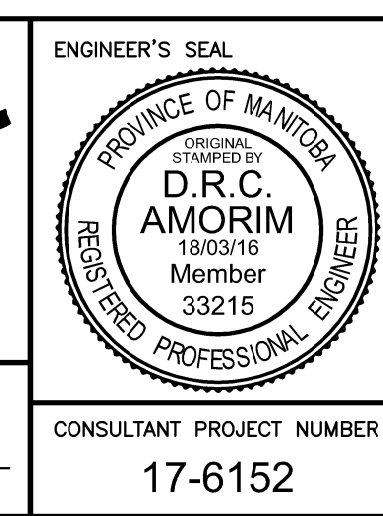
G:\CAD\176152\Drawings\Structural\Contract\176152-COIN-CS-PED-HANDRAIL_LAYOUT.dwg



UNDERGROUND STRUCTURES	B.M. ELEV.	DESIGNED BY	DATE
SUPV. U/G STRUCTURES		DRA	

NO.	REVISIONS	DATE	BY	DATE
0	ISSUED FOR TENDER	18/03/16	TJP	

DESIGNED BY	DRA
DRAWN BY	DJB
CHECKED BY	DRA
APPROVED BY	TJP
HOR. SCALE	-
VERTICAL	-



THE CITY OF WINNIPEG
PUBLIC WORKS DEPARTMENT

2018 REGIONAL STREET RENEWAL PROJECT
McPHILLIPS STREET RECONSTRUCTION AND UNDERPASS
STRUCTURAL IMPROVEMENTS
LOGAN AVENUE TO JARVIS AVENUE

ALUMINUM PEDESTRIAN HANDRAIL LAYOUT

CITY DRAWING NUMBER: U212-18CS-020 -R0
SHEET 020 OF 026
CONSULTANT DRAWING NUMBER: CS-020

CONSULTANT PROJECT NUMBER: 17-6152