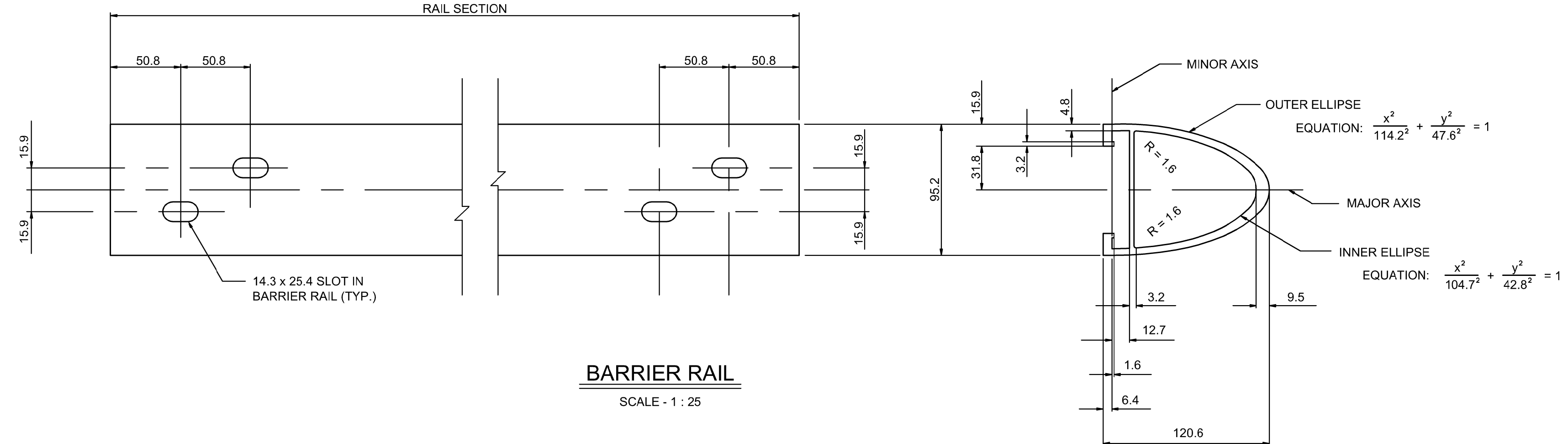


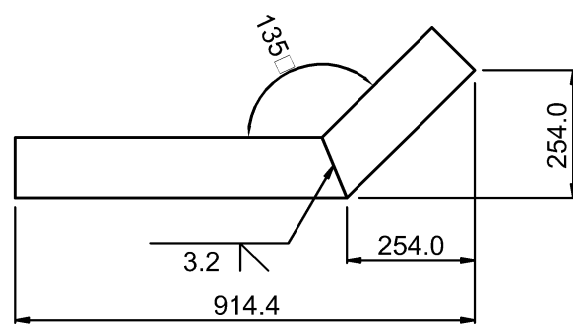
RAIL CLAMP BAR

SCALE - 1 : 25



BARRIER RAIL

SCALE - 1 : 25

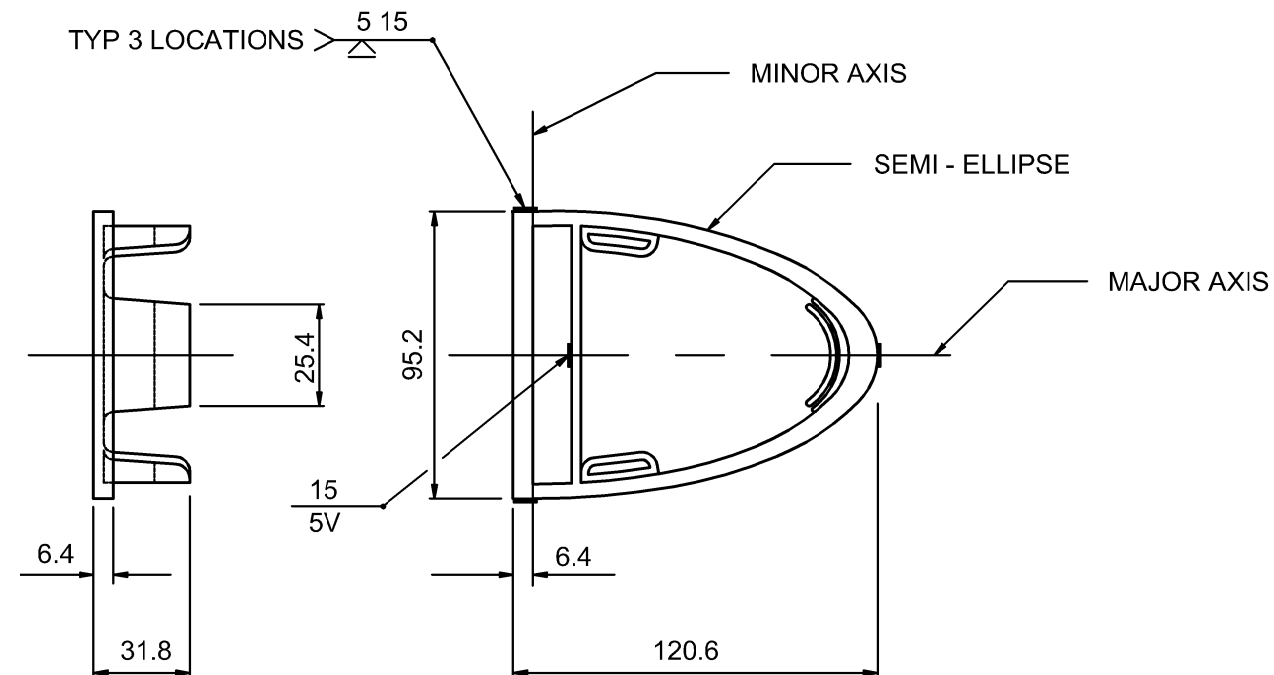


PLAN

FRONT ELEVATION

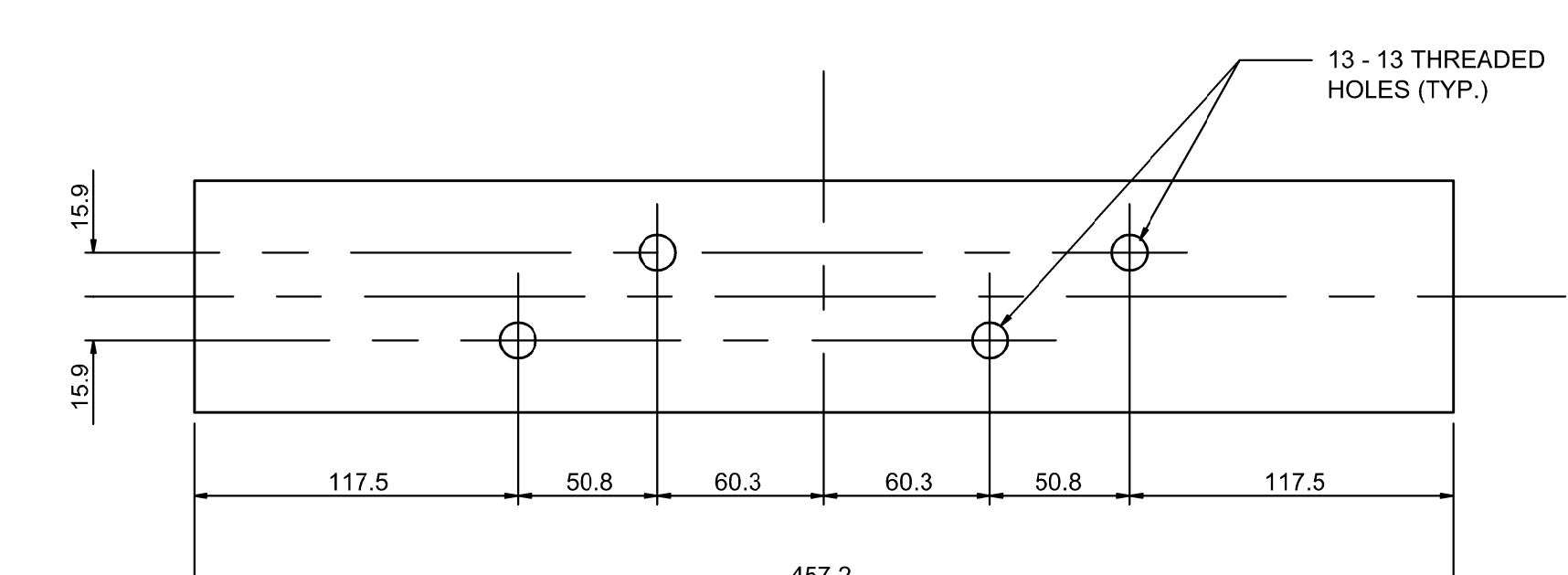
TERMINAL END

(FABRICATED FROM BARRIER RAIL)
SCALE - 1 : 150



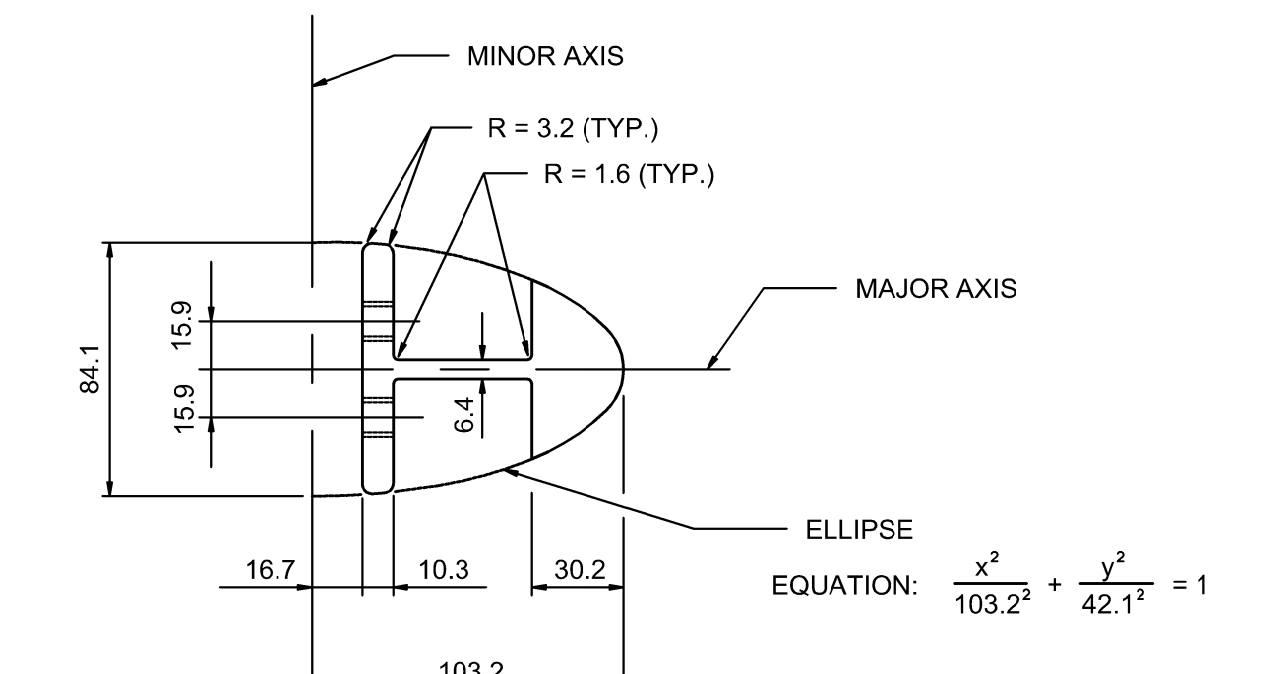
RAIL END CAP

SCALE - 1 : 25



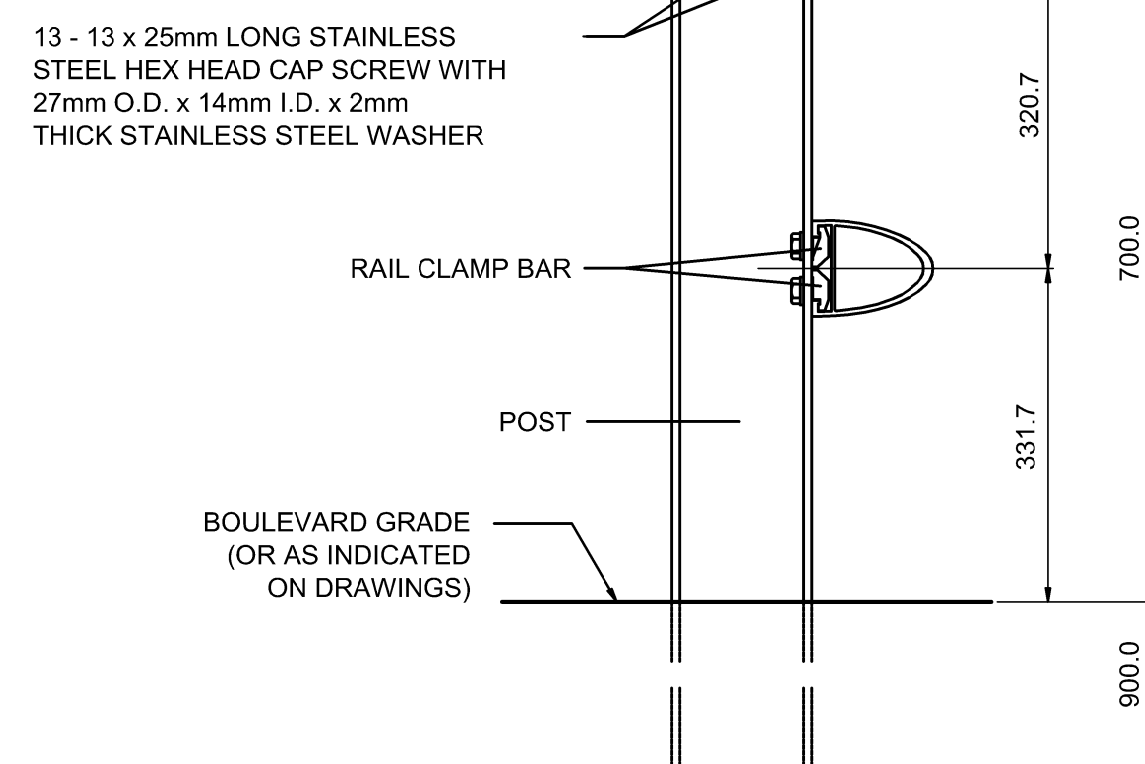
SPLICE BAR

SCALE - 1 : 25



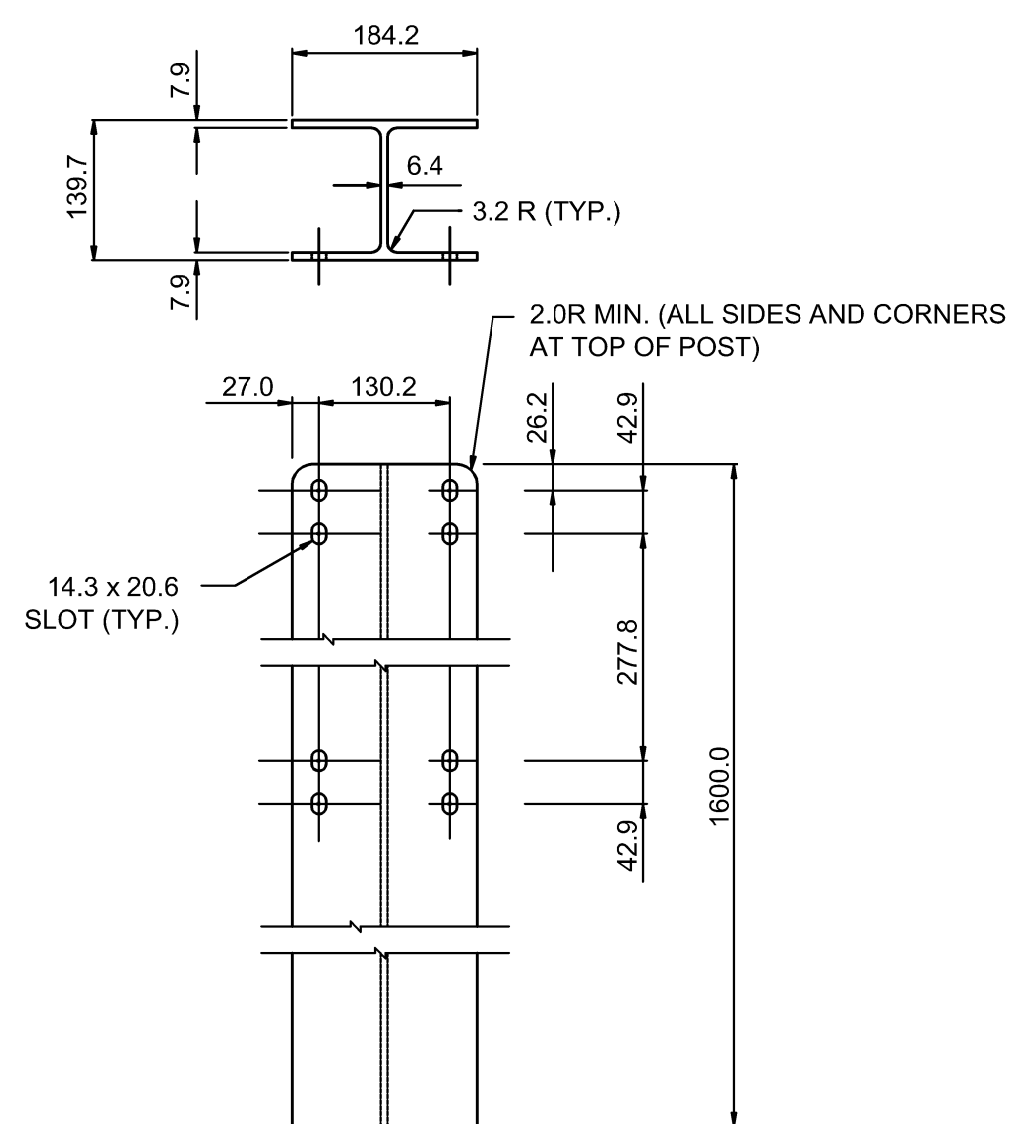
SPLICE BAR TO RAIL ASSEMBLY DETAIL

SCALE - 1 : 25



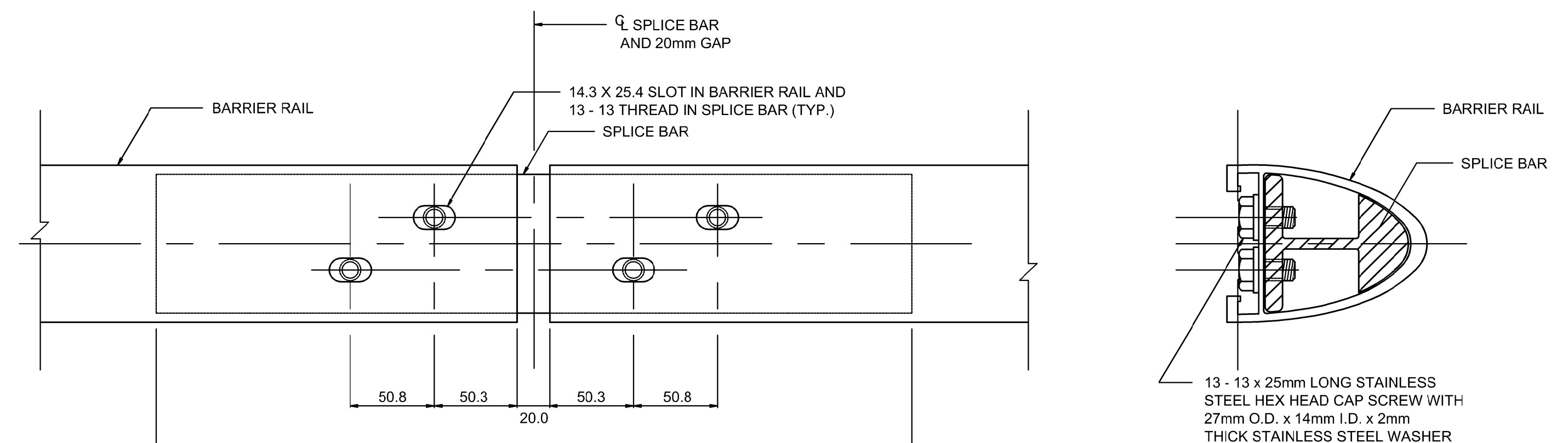
RAIL TO POST ASSEMBLY DETAIL

SCALE - 1 : 75



1.600m POST

(0.800m POST SIMILAR EXCEPT WITH
FOUR SLOTS AT TOP OF POST)
SCALE - 1 : 75



13 - 13 x 25mm LONG STAINLESS
STEEL HEX HEAD CAP SCREW WITH
27mm O.D. x 14mm I.D. x 2mm
THICK STAINLESS STEEL WASHER

MATERIAL SPECIFICATION

- ALUMINUM RAILS, POSTS, SPLICE BARS, AND RAIL END CAPS SHALL CONFORM TO ASTM B221, ALLOY 6061 - T6, OR ALLOY 6351 - T6.
- TYPE 316. STAINLESS STEEL WASHERS SHALL CONFORM TO ASTM A296, TYPE 316.
- CAP SCREWS SHALL CONFORM TO ASTM A276, TYPE 316 STAINLESS STEEL.
- ANTI-SEIZE COATING TO BE APPLIED TO ALL THREADED COMPONENTS WHEN BEING ASSEMBLED (i.e. LPS-3-MANUFACTURED BY HOLT LLOYD (CANADA) LTD., MARKHAM, ONTARIO L3R 2Z3)
- TWO COATS, EACH 1mm IN THICKNESS OF ALKALI-RESISTANT BITUMINOUS PAINT SHALL BE APPLIED ON THE SURFACES OF POSTS AND RAILS THAT ARE TO BE IN CONTACT WITH THE GROUND.

METRIC

ALL DIMENSIONS SHOWN ARE IN MILLIMETRES



G:\CAD\176152\Drawings\Structural\Contract\176152-COM-CS-ALUMINUM-BARRIER-DETAILS.dwg

| | | | | | |
|-------------------------------------------------------------------------------------------------------------------------------------------------------------------------------------------------------------------------------------------------------------------------------------------------------------------------------------------------------------------------------------------------------------------------------------|------------|--------------------|--|----------------------------------------------------------------------------------------------------------------------------------------------------|--------------------------------------------------------------------|
| UNDERGROUND STRUCTURES SUPV. U/G STRUCTURES DATE <small>LOCATION OF UNDERGROUND STRUCTURES AS SHOWN ARE BASED ON THE BEST INFORMATION AVAILABLE, BUT NO GUARANTEE IS GIVEN THAT ALL EXISTING UTILITIES ARE SHOWN OR THAT THE GIVEN LOCATIONS ARE EXACT. CONFIRMATION OF EXISTENCE AND EXACT LOCATION OF ALL SERVICES MUST BE OBTAINED FROM THE INDIVIDUAL UTILITIES BEFORE PROCEEDING WITH CONSTRUCTION.</small> | B.M. ELEV. | DESIGNED BY DRA | | ENGINEER'S SEAL | THE CITY OF WINNIPEG PUBLIC WORKS DEPARTMENT |
| | | DRAWN BY NBG | | RELEASED FOR CONSTRUCTION DATE | |
| | | CHECKED BY DRA | | 2018 REGIONAL STREET RENEWAL PROJECT McPHILLIPS STREET RECONSTRUCTION AND UNDERPASS STRUCTURAL IMPROVEMENTS LOGAN AVENUE TO JARVIS AVENUE | CITY DRAWING NUMBER U212-18CS-019 -R0 SHEET OF 019 OF 026 |
| | | APPROVED BY TJP | | UNDERPASS-MEDIAN ALUMINUM BARRIER STANDARD DETAILS | CONSULTANT DRAWING NUMBER CS-019 |
| | | HOR. SCALE - | | | |
| | | VERTICAL - | | | |
| | | NO. REVISIONS | | | |
| | | DATE | | | |
| | | BY | | | |
| | | DATE | | | |