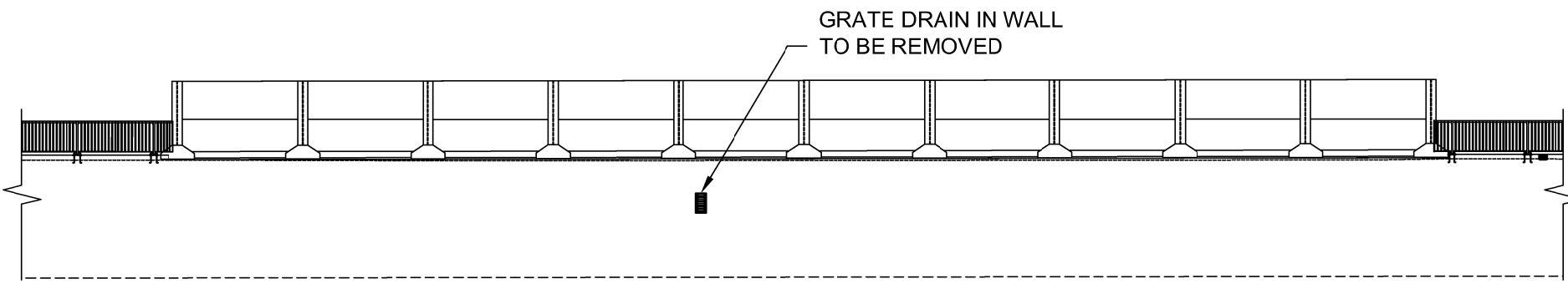
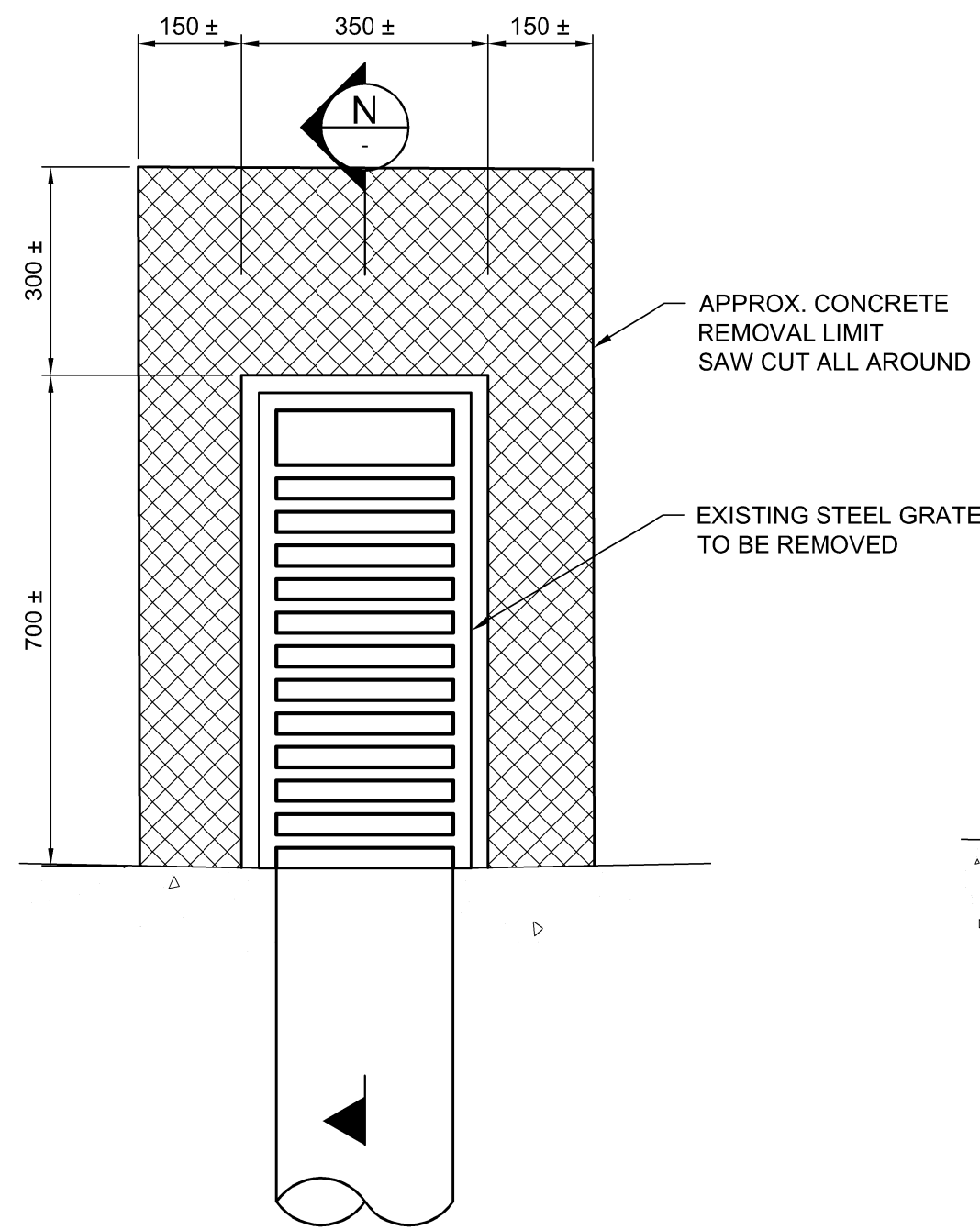


EAST WALL ELEVATION



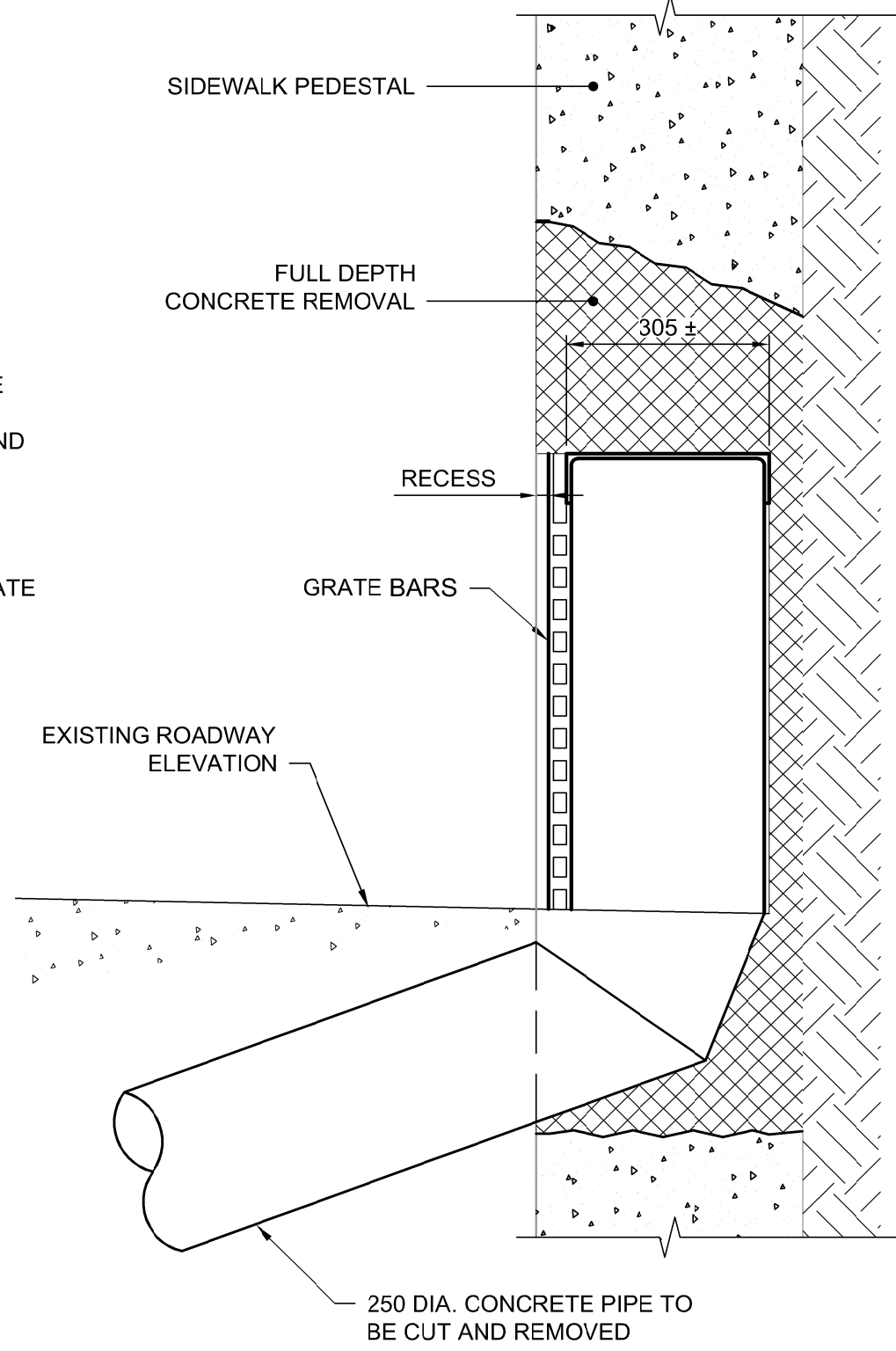
WEST WALL ELEVATION

WALL ELEVATIONS
N.T.S.

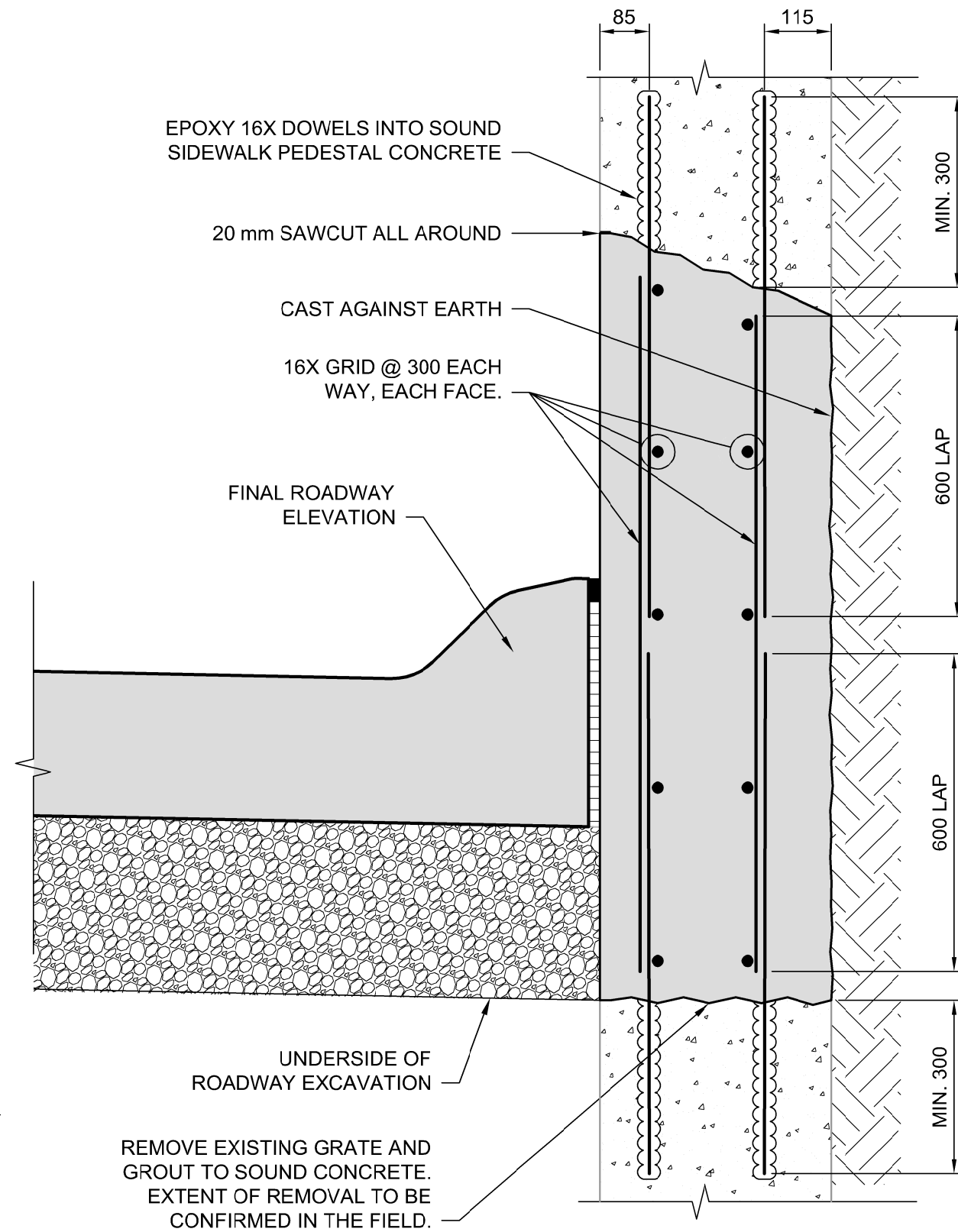


EXISTING SIDEWALK PEDESTAL STEEL DRAINAGE GRATE

1:10

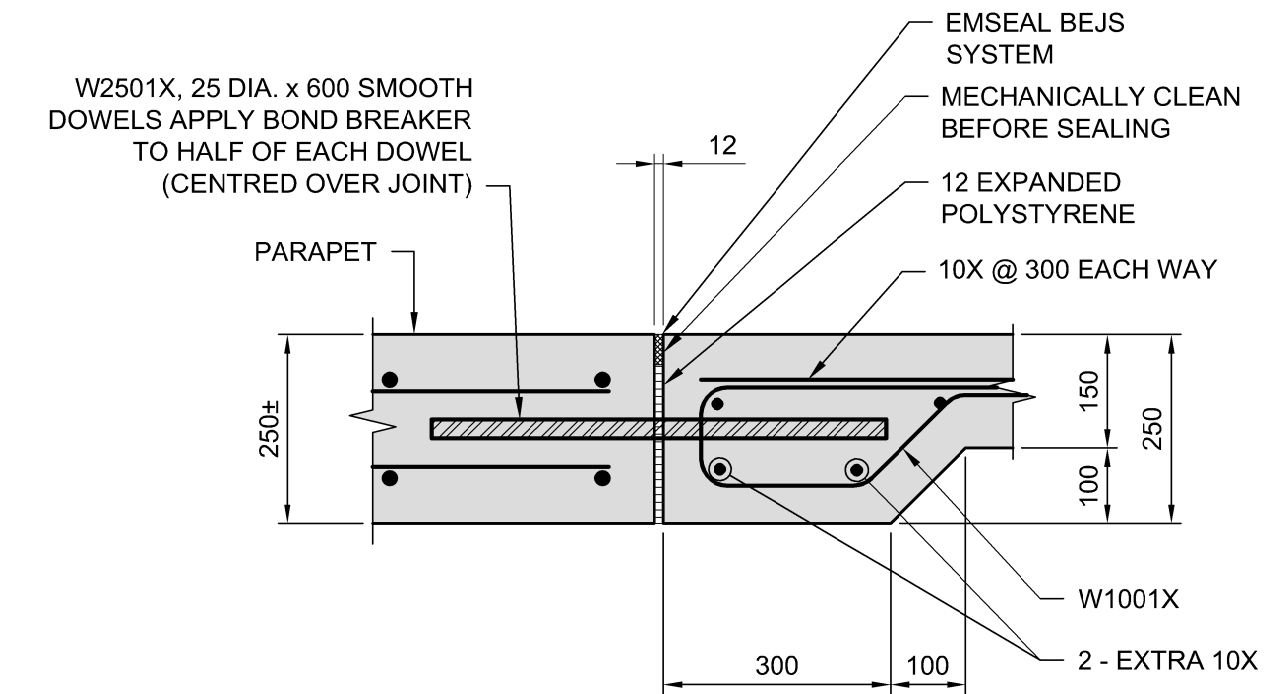


EXISTING SECTION
1:10



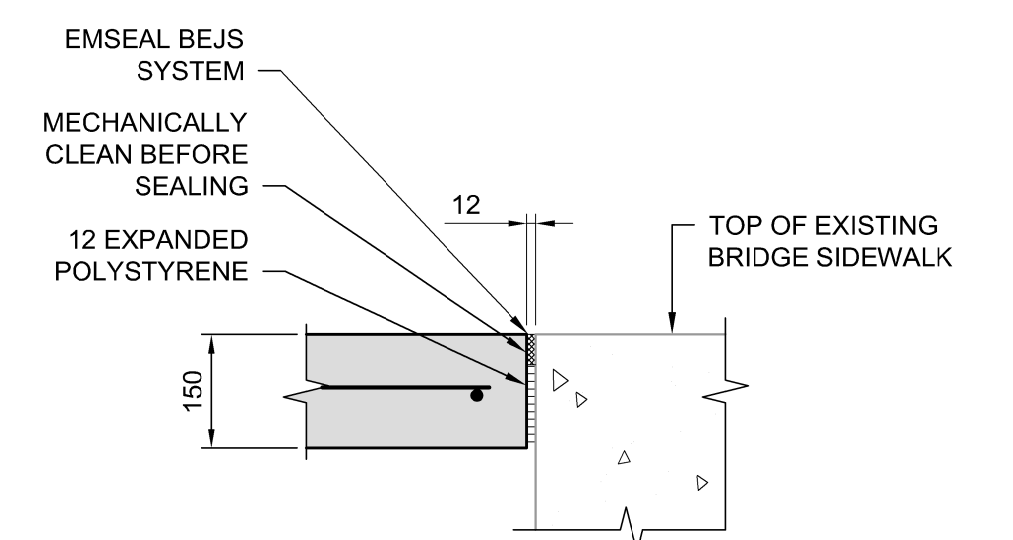
PROPOSED SECTION
1:10

NOTE: THIS DETAIL IS SCHEMATIC IN NATURE. ALL DIMENSIONS TO BE FIELD VERIFIED.



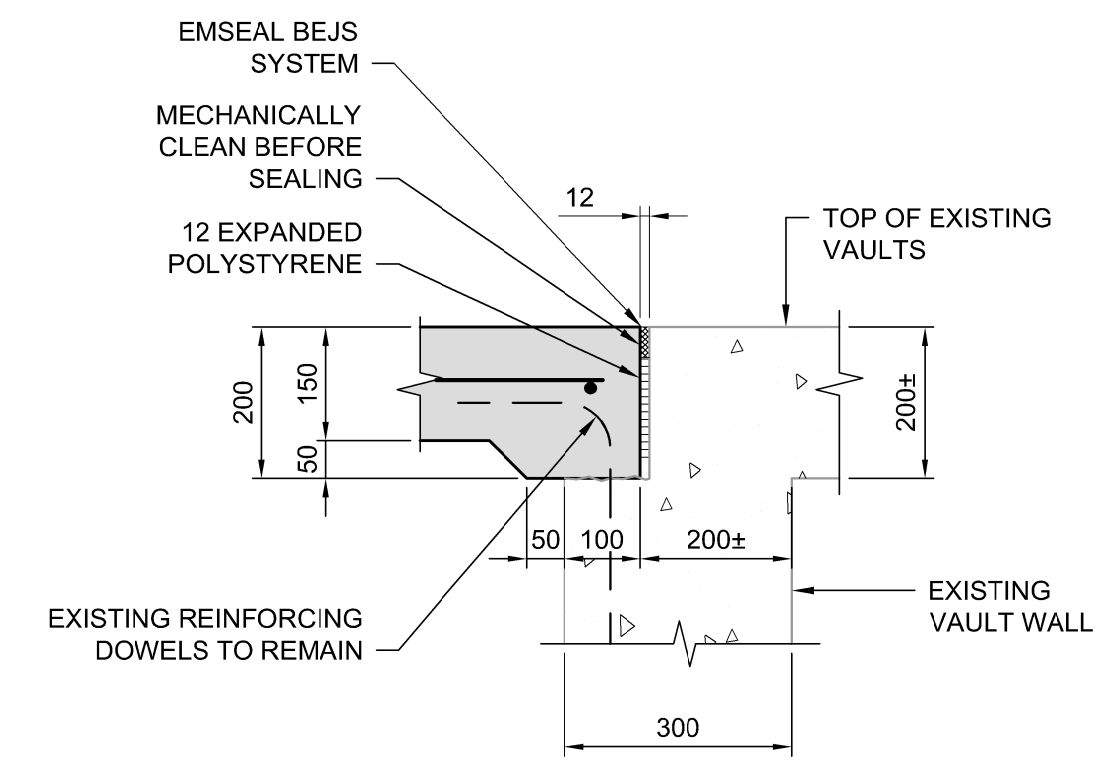
SECTION P
1:10

CS-009
CS-010
CS-011



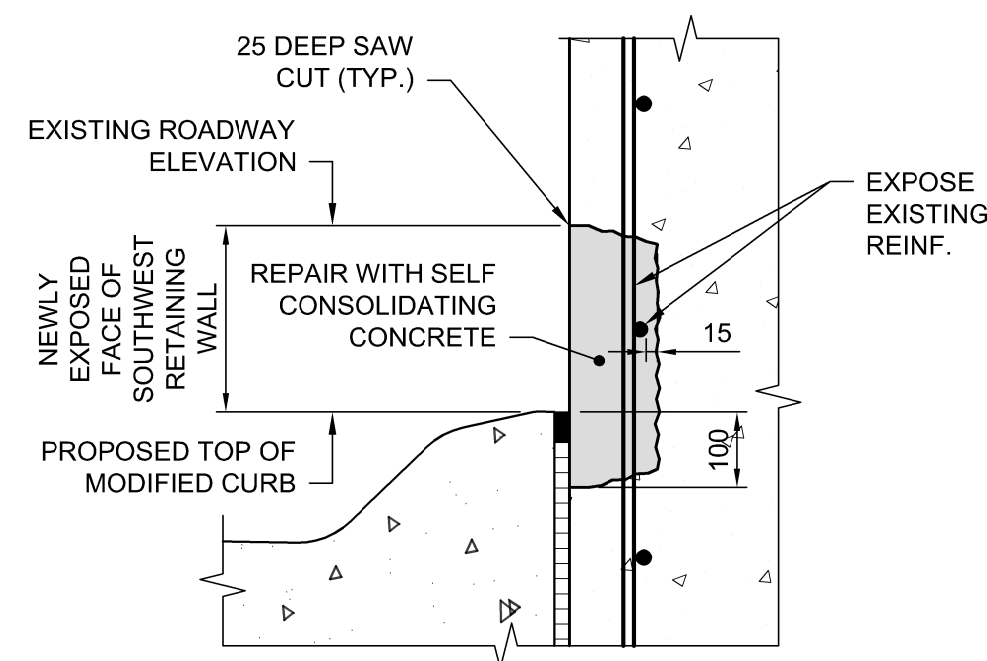
SECTION Q
1:10

CS-009
CS-010
CS-011



SECTION R
1:10

CS-009



SOUTHWEST RETAINING WALL PARTIAL DEPTH REPAIRS

AS LAYED OUT IN THE FIELD BY THE CONTRACT ADMINISTRATOR

DETAIL 7
1:10

CS-012

APEGM
Certificate of Authorization
Dillon Consulting Limited (MB)
No. 1789 Date: 18/03/16

UNDERGROUND STRUCTURES SUPV. U/G STRUCTURES DATE <small>LOCATION OF UNDERGROUND STRUCTURES AS SHOWN ARE BASED ON THE BEST INFORMATION AVAILABLE. BUT NO GUARANTEE IS GIVEN THAT ALL EXISTING UTILITIES ARE SHOWN OR THAT THE GIVEN LOCATIONS ARE EXACT. CONFIRMATION OF EXISTENCE AND EXACT LOCATION OF ALL SERVICES MUST BE OBTAINED FROM THE INDIVIDUAL UTILITIES BEFORE PROCEEDING WITH CONSTRUCTION.</small>	B.M. ELEV.	DESIGNED BY DRA		ENGINEER'S SEAL 	 THE CITY OF WINNIPEG PUBLIC WORKS DEPARTMENT 2018 REGIONAL STREET RENEWAL PROJECT McPHILLIPS STREET RECONSTRUCTION AND UNDERPASS STRUCTURAL IMPROVEMENTS LOGAN AVENUE TO JARVIS AVENUE	CITY DRAWING NUMBER U212-18-CS-014-R0
		DRAWN BY KNL/CGC		 RELEASED FOR CONSTRUCTION DATE		CONSULTANT PROJECT NUMBER 17-6152
		CHECKED BY DRA			SIDEWALK RETAINING WALL SECTIONS AND DETAILS	CONSULTANT DRAWING NUMBER CS-014
		APPROVED BY TJP				
		HOR. SCALE -				
		VERTICAL -				
	0 ISSUED FOR TENDER	18/03/16	TJP			
	NO. REVISIONS	DATE	BY	DATE		

G:\CAD\176152\Drawings\Structural\Contract\176152-CO-N-CS-DETAILS.dwg