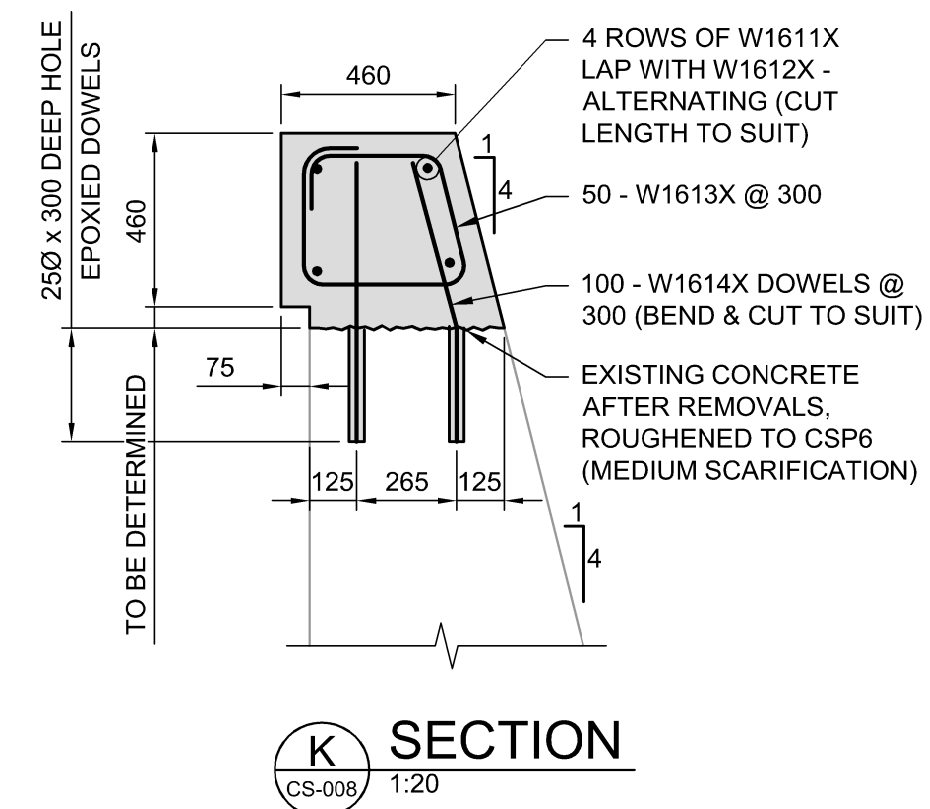
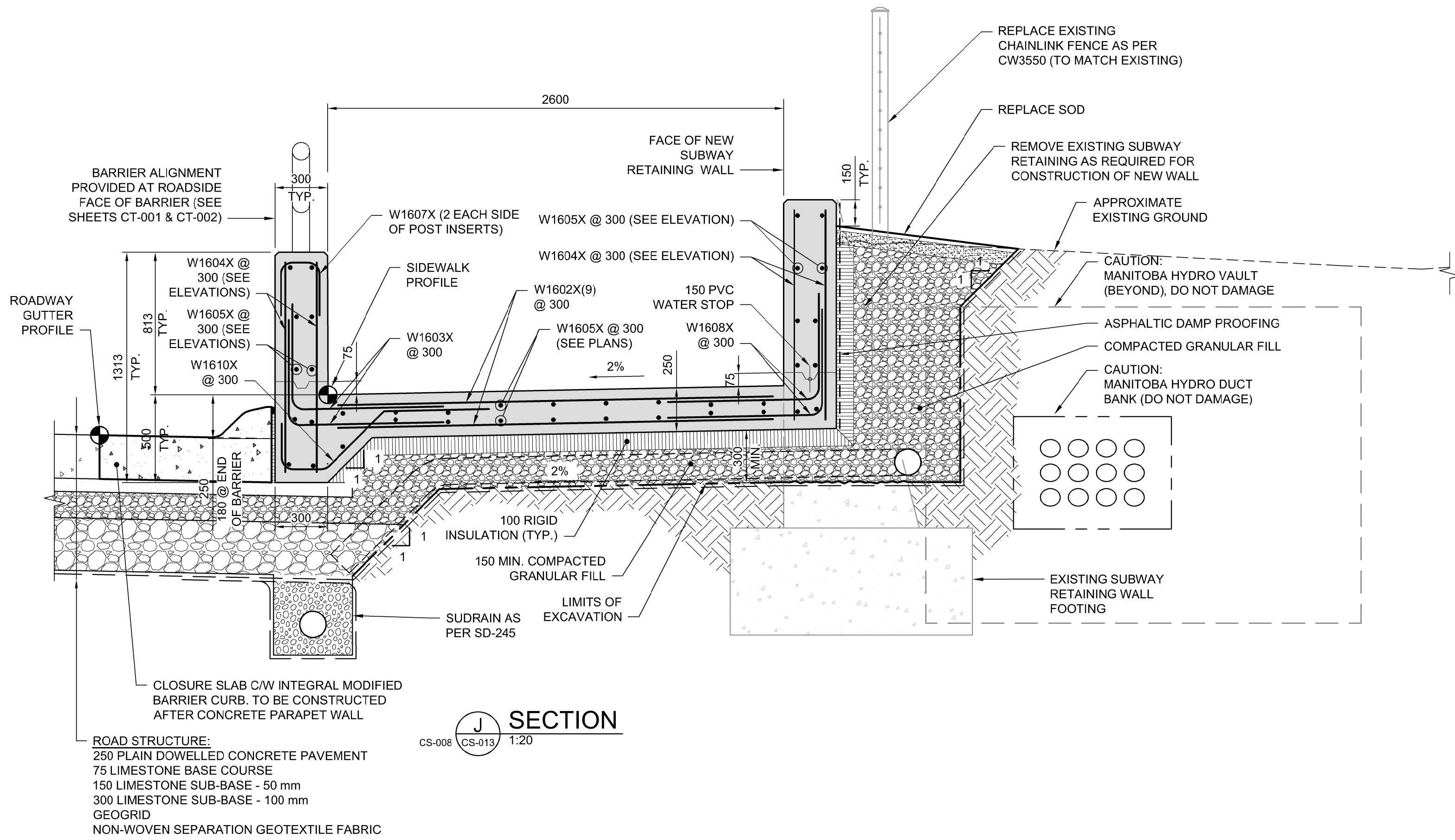


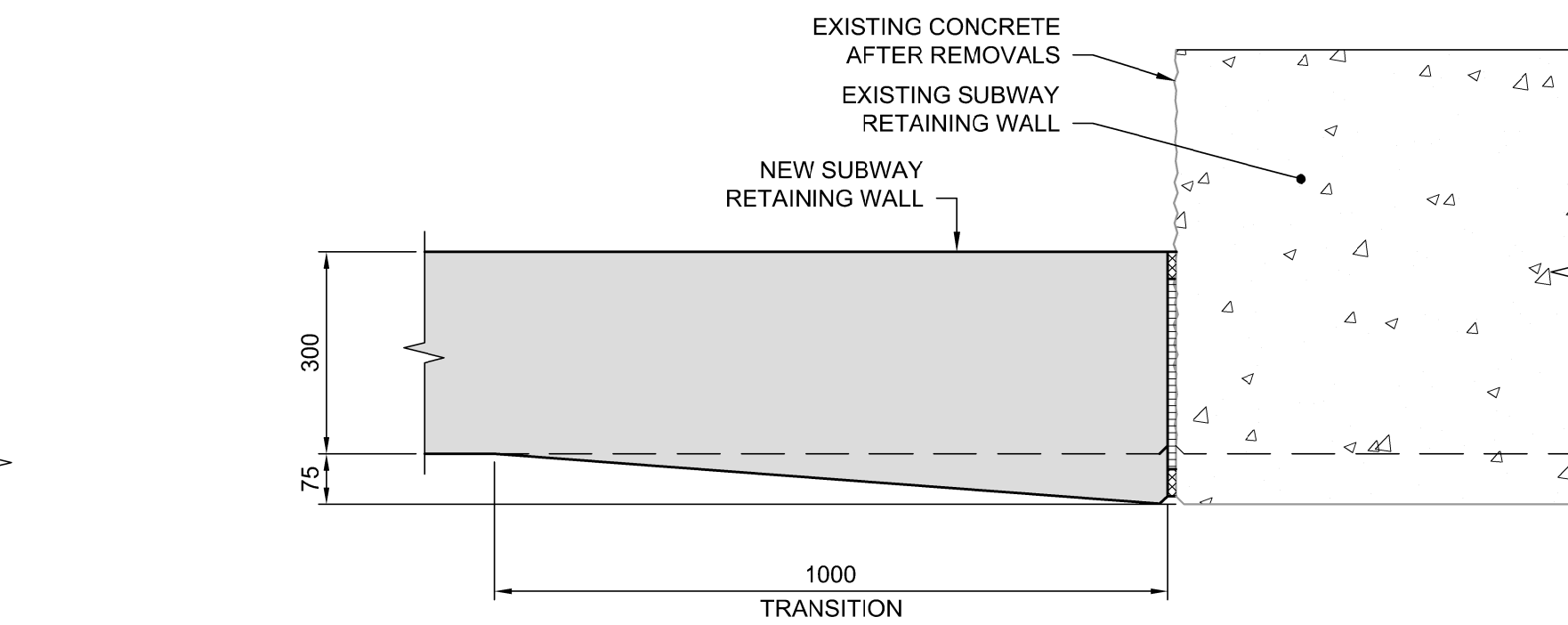
**H** SOUTHWEST SUBWAY WALL RECONSTRUCTION - ELEVATION  
CS-008 1:50



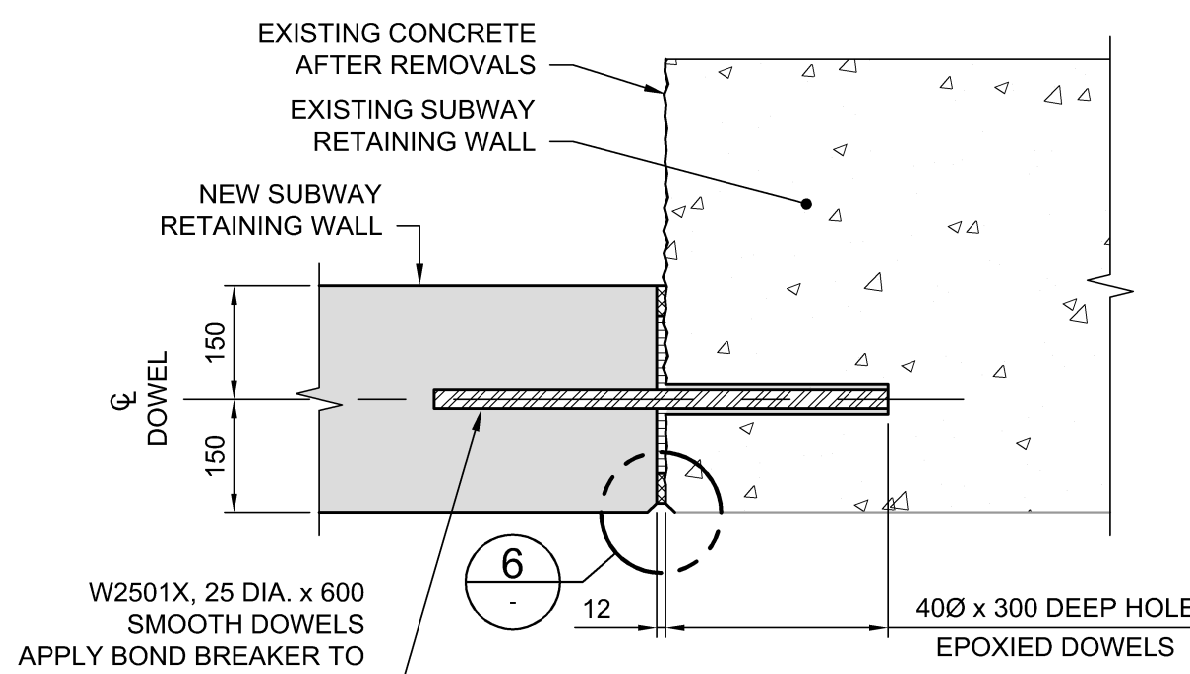
**K** SECTION  
CS-008 1:20



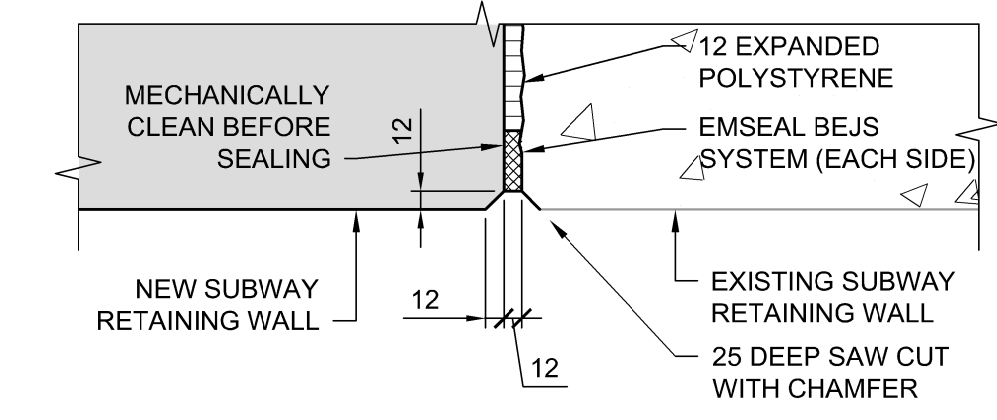
**J** SECTION  
CS-008 CS-013 1:20



**L** SECTION  
1:10



**M** SECTION  
1:10



**6** DETAIL  
1:5

G:\CAD\176152\Drawings\Structural\Contract\176152-CON-CS-CP WALL REPAIRS.dwg

ROAD STRUCTURE:  
250 PLAIN DOWELLED CONCRETE PAVEMENT  
75 LIMESTONE BASE COURSE  
150 LIMESTONE SUB-BASE - 50 mm  
300 LIMESTONE SUB-BASE - 100 mm  
GEOGRID  
NON-WOVEN SEPARATION GEOTEXTILE FABRIC

**APCGM**  
Certificate of Authorization  
Dillon Consulting Limited (MB)  
No. 1789 Date: 18/03/16

UNDERGROUND STRUCTURES	B.M. ELEV.	DESIGNED BY	DRA	ENGINEER'S SEAL				<b>2018 REGIONAL STREET RENEWAL PROJECT</b> McPHILLIPS STREET RECONSTRUCTION AND UNDERPASS STRUCTURAL IMPROVEMENTS LOGAN AVENUE TO JARVIS AVENUE	CITY DRAWING NUMBER
SUPV. U/G STRUCTURES	DATE	DRAWN BY	CGC	17-6152					RELEASED FOR CONSTRUCTION
LOCATION OF UNDERGROUND STRUCTURES AS SHOWN ARE BASED ON THE BEST INFORMATION AVAILABLE. BUT NO GUARANTEE IS GIVEN THAT ALL EXISTING UTILITIES ARE SHOWN OR THAT THE GIVEN LOCATIONS ARE EXACT. CONFIRMATION OF EXISTENCE AND EXACT LOCATION OF ALL SERVICES MUST BE OBTAINED FROM THE INDIVIDUAL UTILITIES BEFORE PROCEEDING WITH CONSTRUCTION.		CHECKED BY	DRA					SHEET 013 OF 026	
0 ISSUED FOR TENDER 18/03/16 TJP		APPROVED BY	TJP					CONSULTANT DRAWING NUMBER CS-013	
NO. REVISIONS		DATE	BY	DATE					