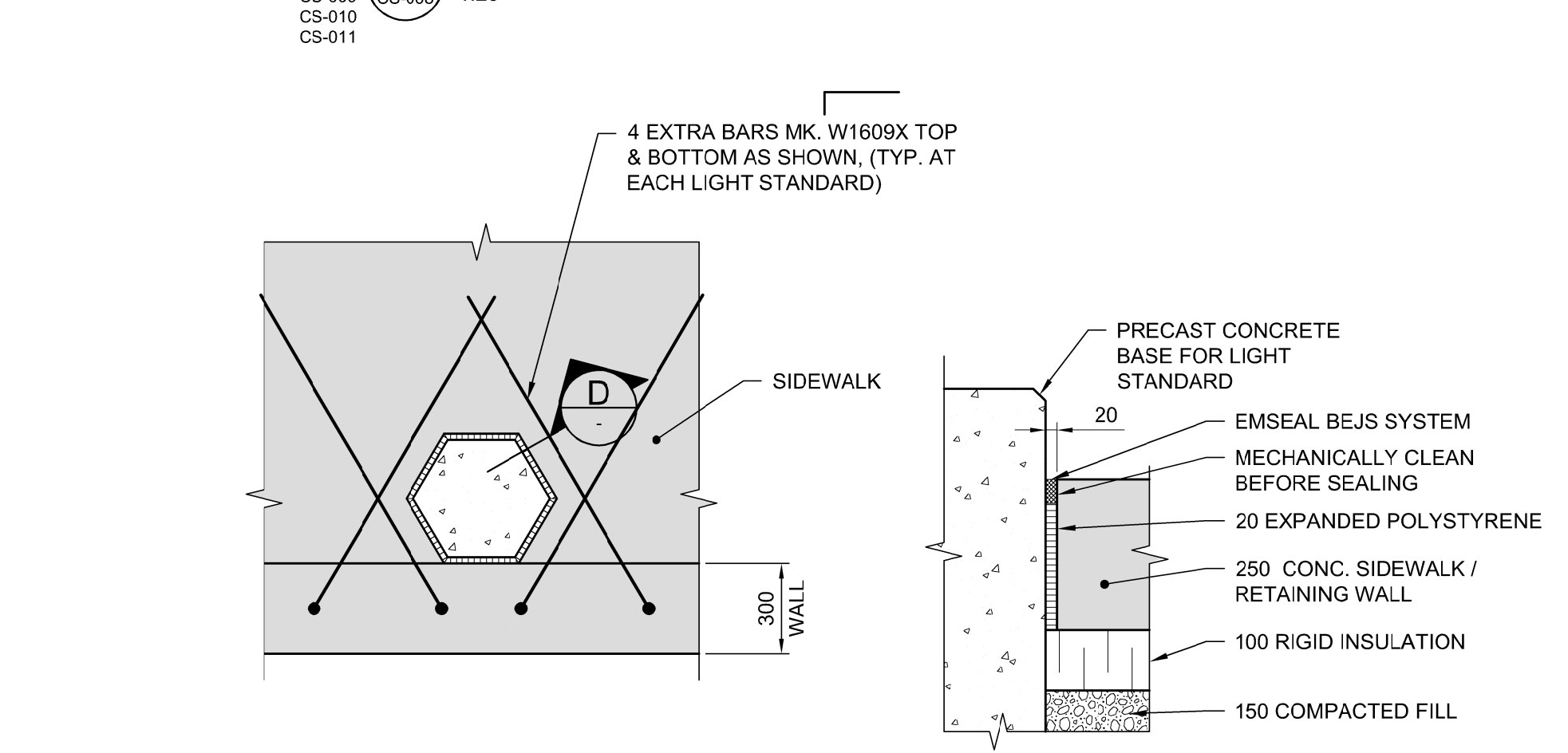


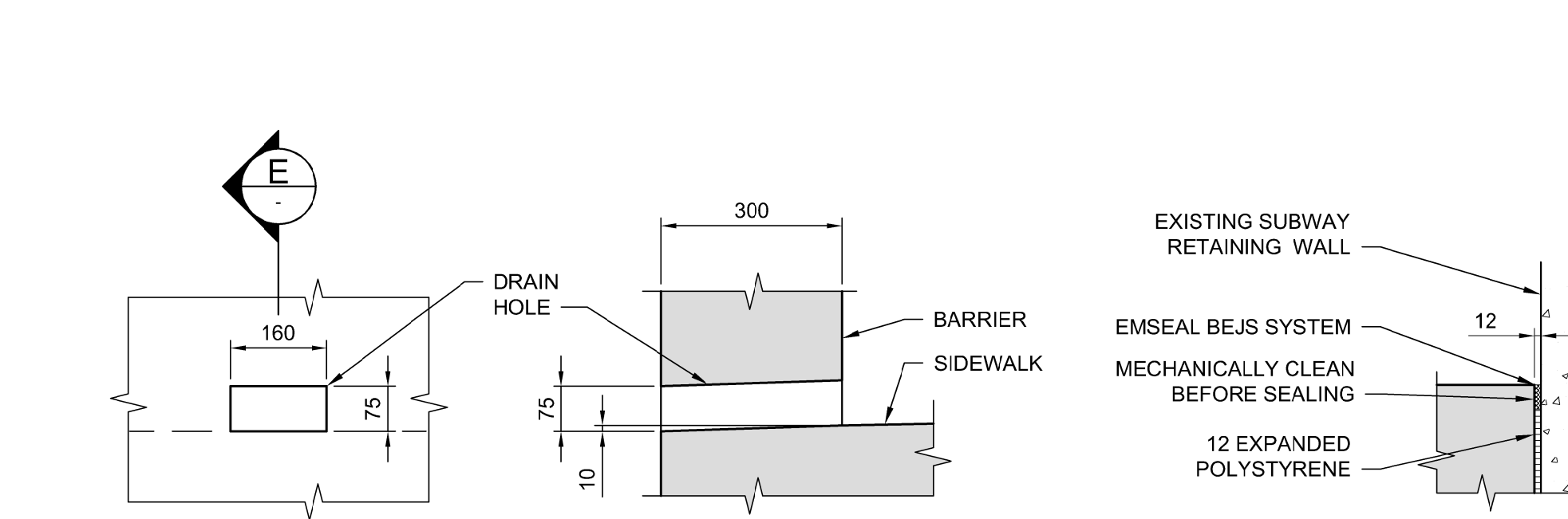
A PROPOSED SIDEWALK SECTION
CS-009 CS-010 CS-011



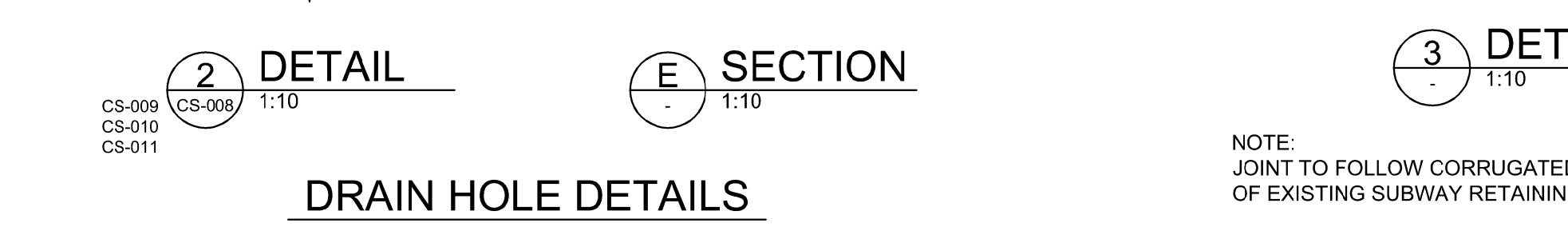
TYPICAL CONSTRUCTION JOINT DETAIL FOR PARAPET WALL / SIDEWALKS
1:20



1 DETAIL
CS-009 CS-010 CS-011



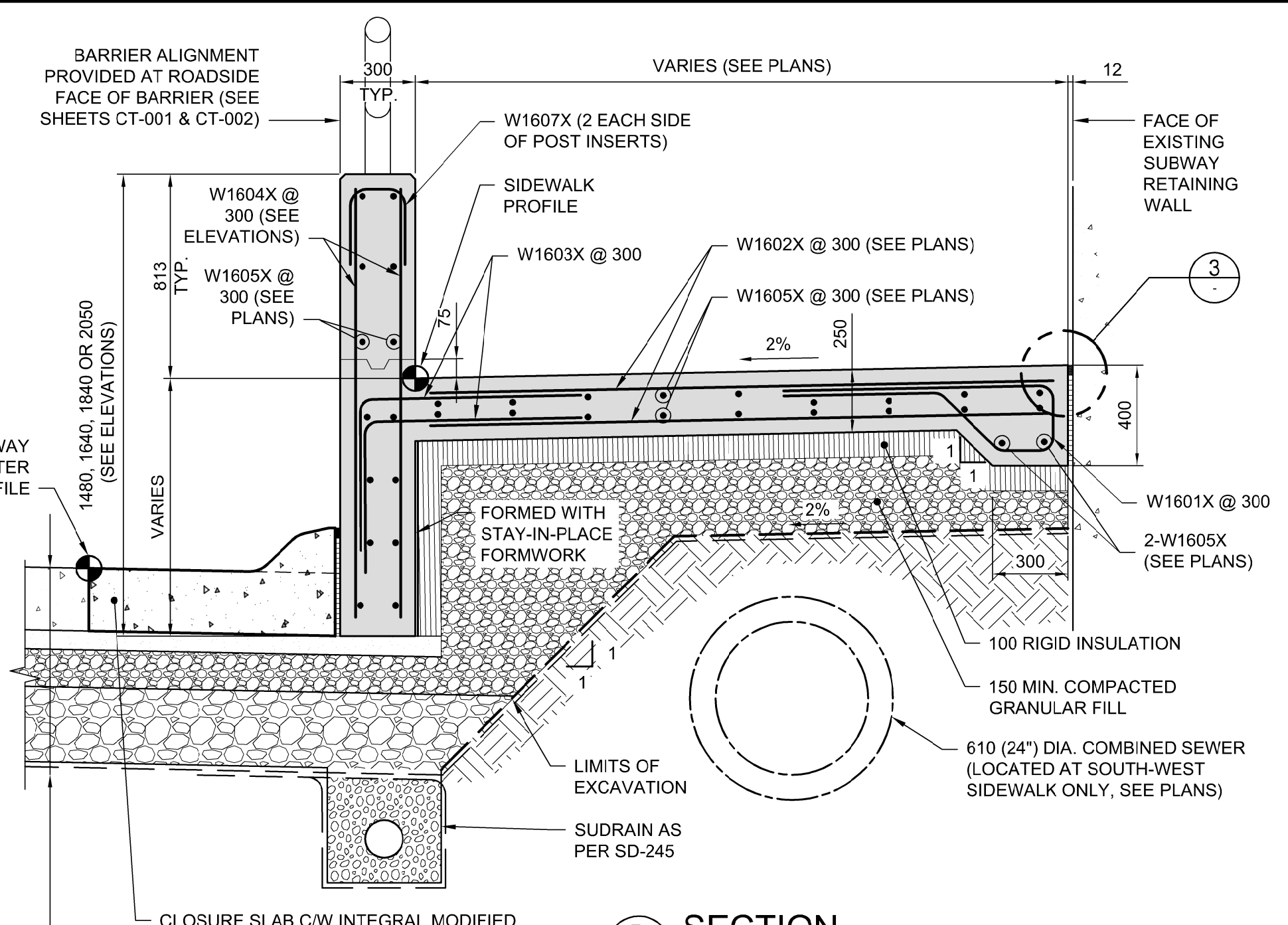
2 DETAIL
CS-009 CS-010 CS-011



3 DETAIL
1:10

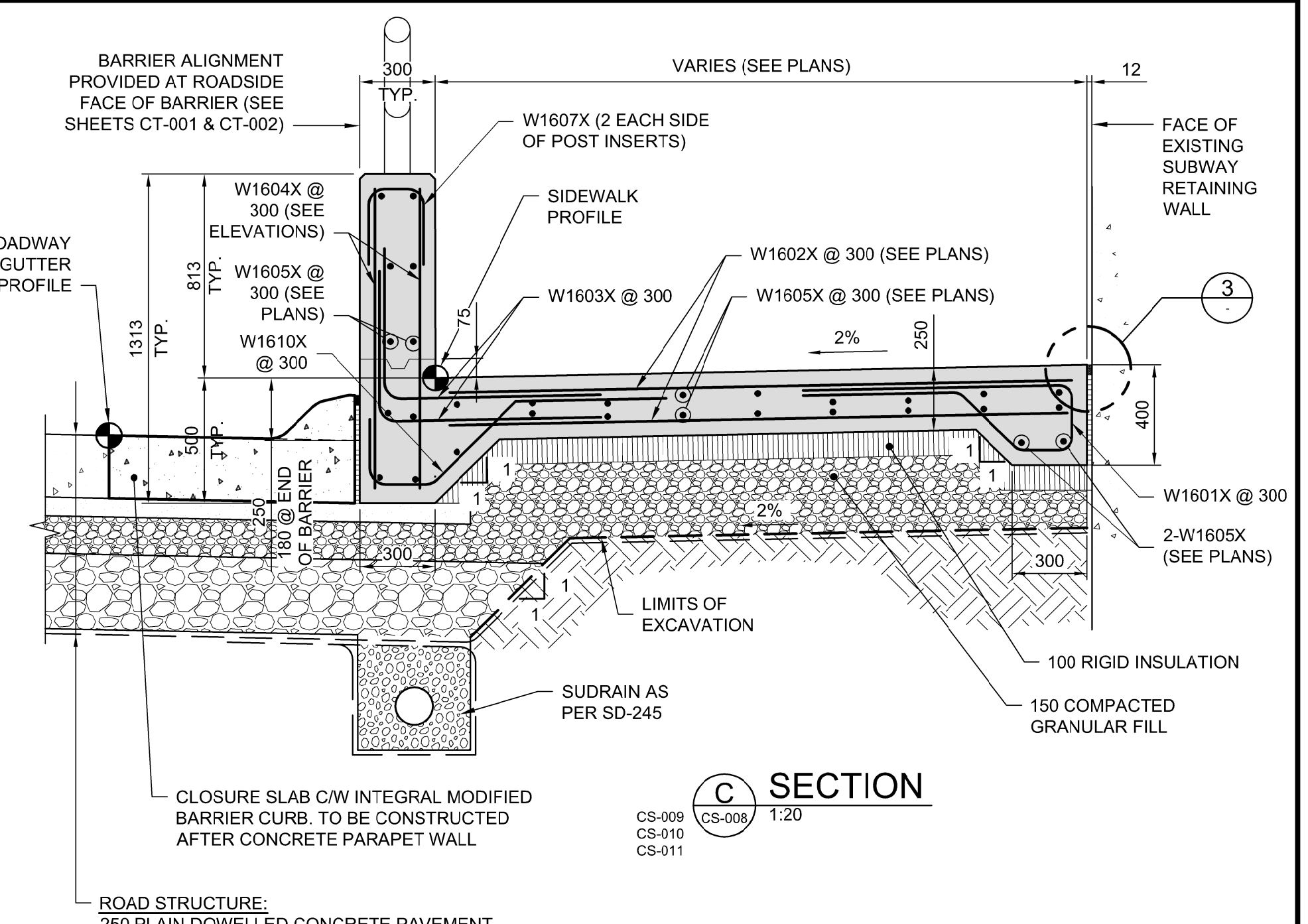
DRAIN HOLE DETAILS

NOTE: JOINT TO FOLLOW CORRUGATED FACE OF EXISTING SUBWAY RETAINING WALL.



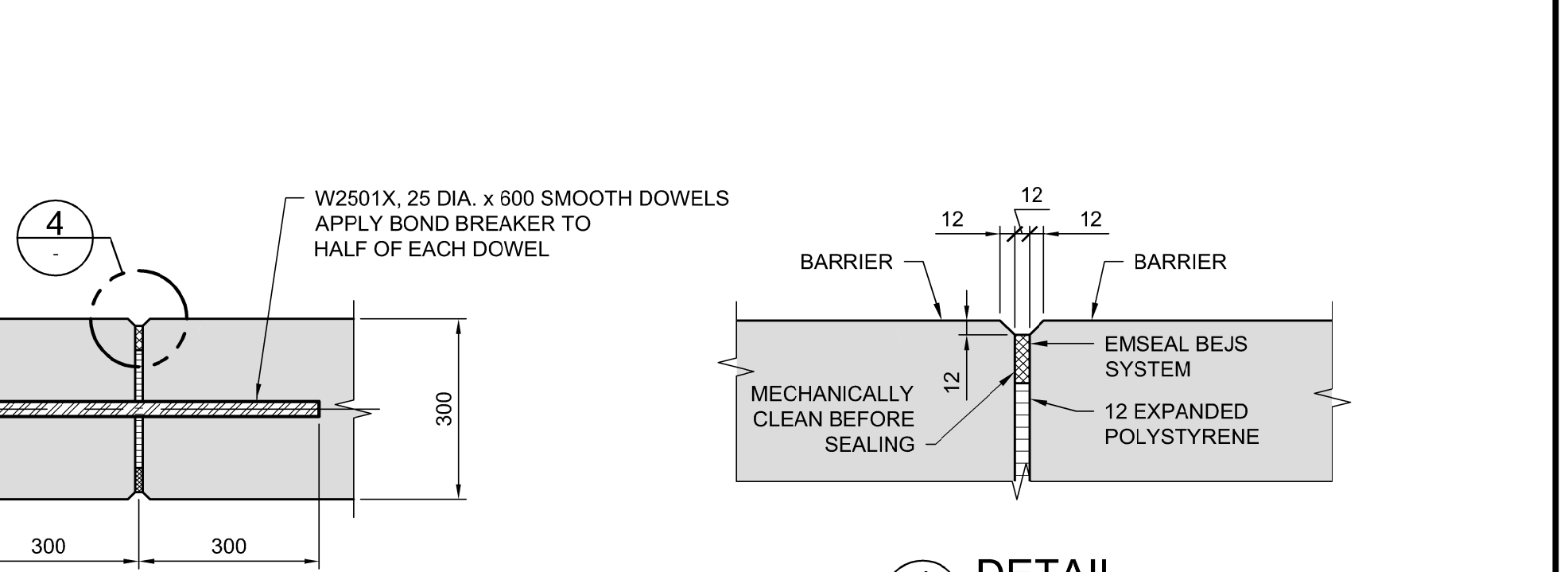
B SECTION
CS-009 CS-010 CS-011

ROAD STRUCTURE:
250 PLAIN DOWELLED CONCRETE PAVEMENT
75 LIMESTONE BASE COURSE
150 LIMESTONE SUB-BASE - 50 mm
300 LIMESTONE SUB-BASE - 100 mm
GEOGRID
NON-WOVEN SEPARATION GEOTEXTILE FABRIC

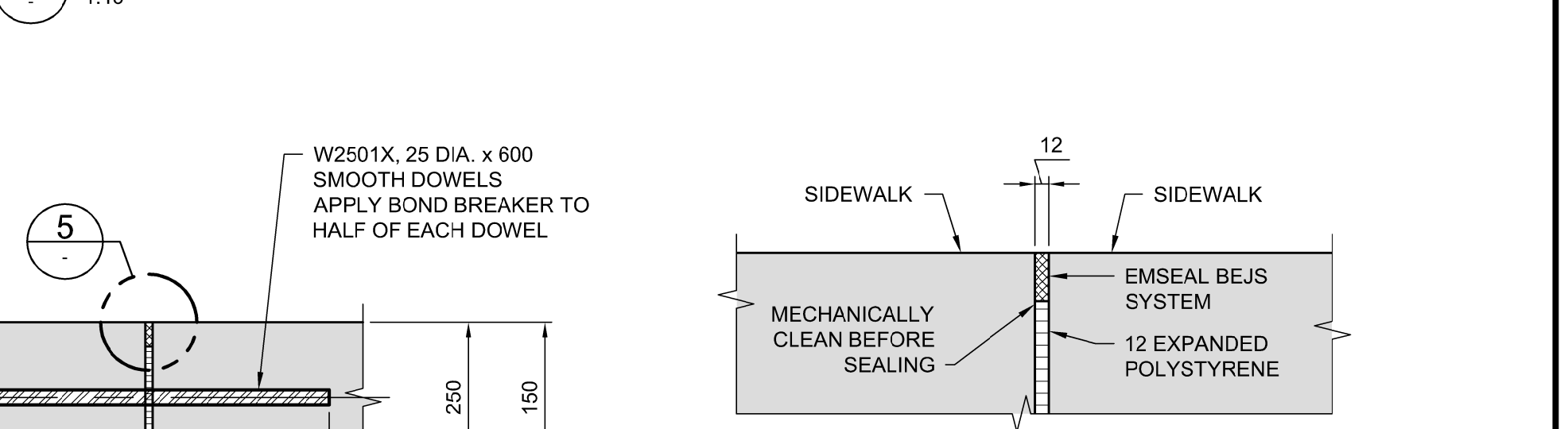


C SECTION
CS-009 CS-010 CS-011

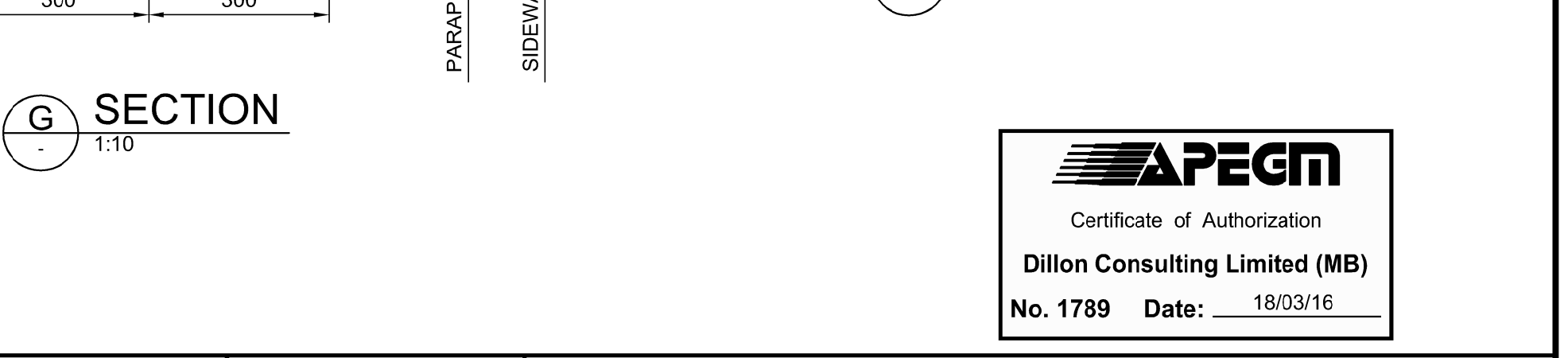
ROAD STRUCTURE:
250 PLAIN DOWELLED CONCRETE PAVEMENT
75 LIMESTONE BASE COURSE
150 LIMESTONE SUB-BASE - 50 mm
300 LIMESTONE SUB-BASE - 100 mm
GEOGRID
NON-WOVEN SEPARATION GEOTEXTILE FABRIC



4 DETAIL
1:5



F SECTION
1:10



G SECTION
1:10



5 DETAIL
1:5



UNDERGROUND STRUCTURES	B.M. ELEV.	DESIGNED BY	DRA		ENGINEER'S SEAL			THE CITY OF WINNIPEG PUBLIC WORKS DEPARTMENT
	SUPV. U/G STRUCTURES	DATE	DRAWN BY		CGC			
LOCATION OF UNDERGROUND STRUCTURES AS SHOWN ARE BASED ON THE BEST INFORMATION AVAILABLE. BUT NO GUARANTEE IS GIVEN THAT ALL EXISTING UTILITIES ARE SHOWN OR THAT THE GIVEN LOCATIONS ARE EXACT. CONFIRMATION OF EXISTENCE AND EXACT LOCATION OF ALL SERVICES MUST BE OBTAINED FROM THE INDIVIDUAL UTILITIES BEFORE PROCEEDING WITH CONSTRUCTION.		0	ISSUED FOR TENDER	18/03/16	TJP	VERTICAL	SHEET 012 OF 026 CONSULTANT DRAWING NUMBER CS-012	
		NO.	REVISIONS	DATE	BY	DATE	RELEASED FOR CONSTRUCTION DATE	CONSULTANT PROJECT NUMBER 17-6152

G:\CAD\176152\Drawings\Structural\176152-CON-CS-PARAPET WALL REINFORCING DETAILS.dwg