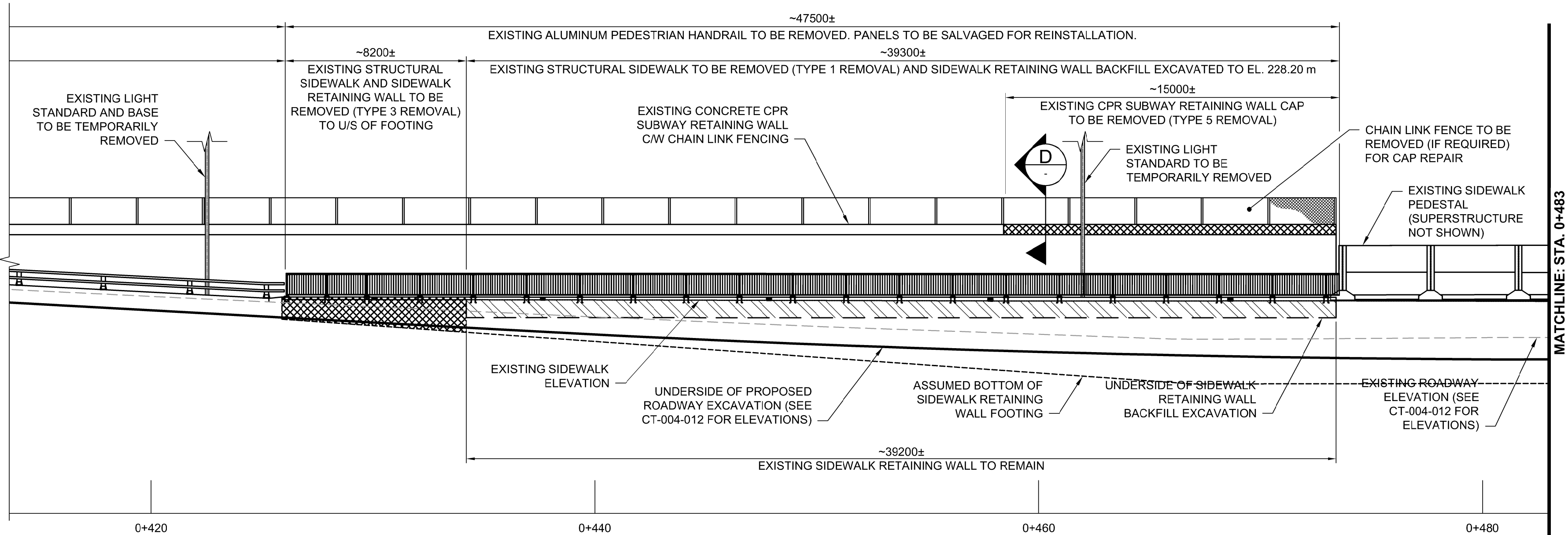
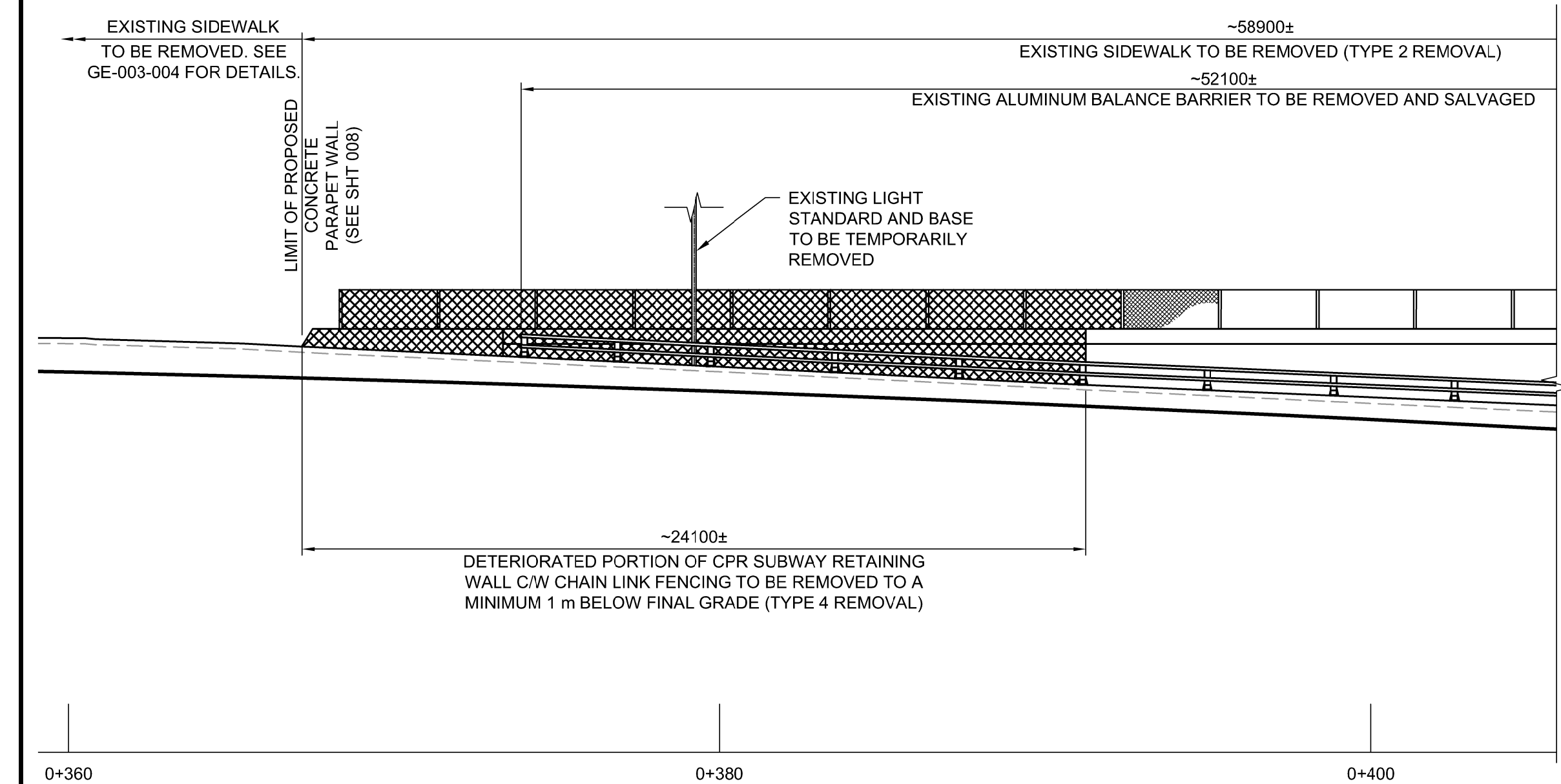
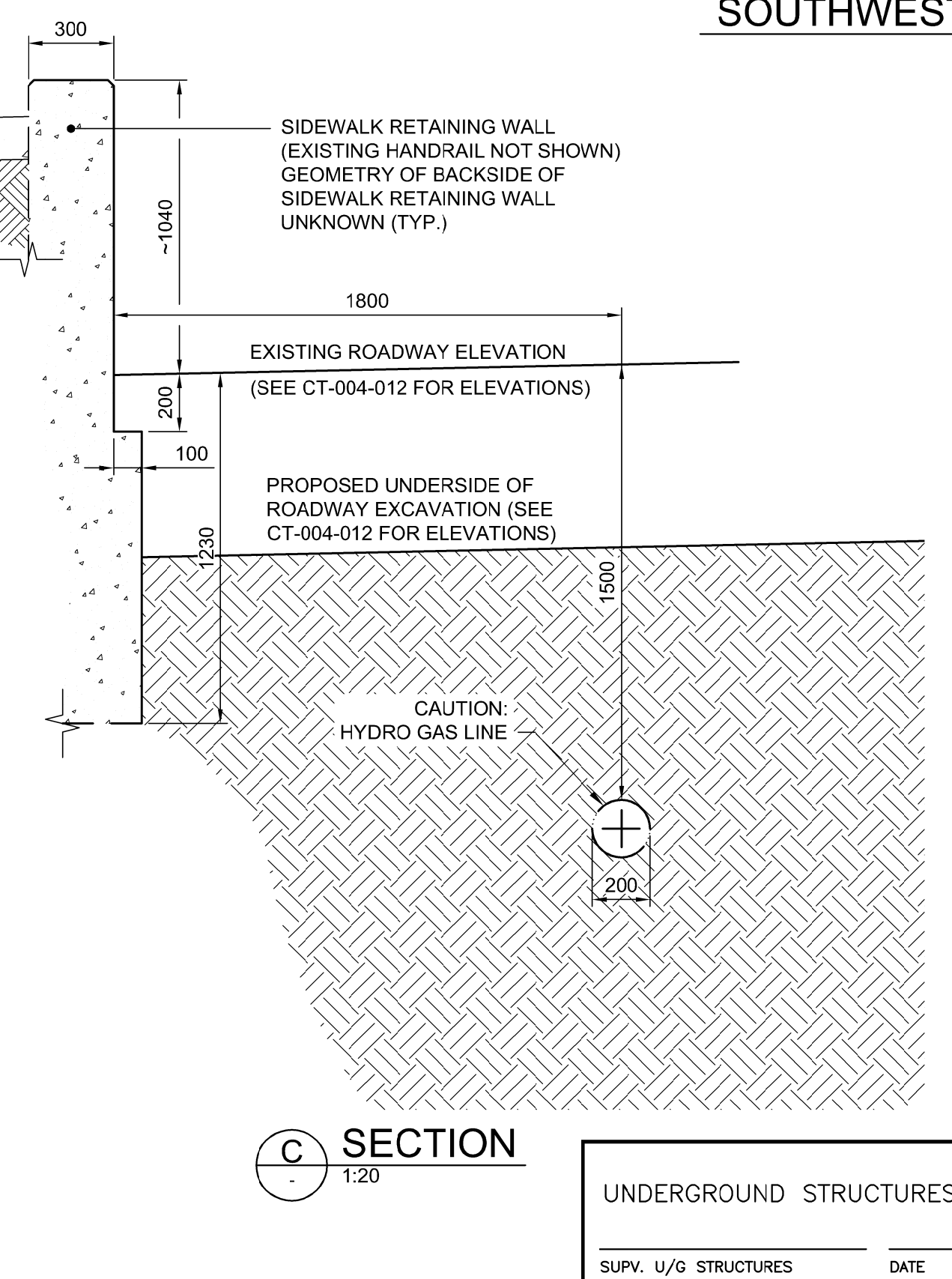
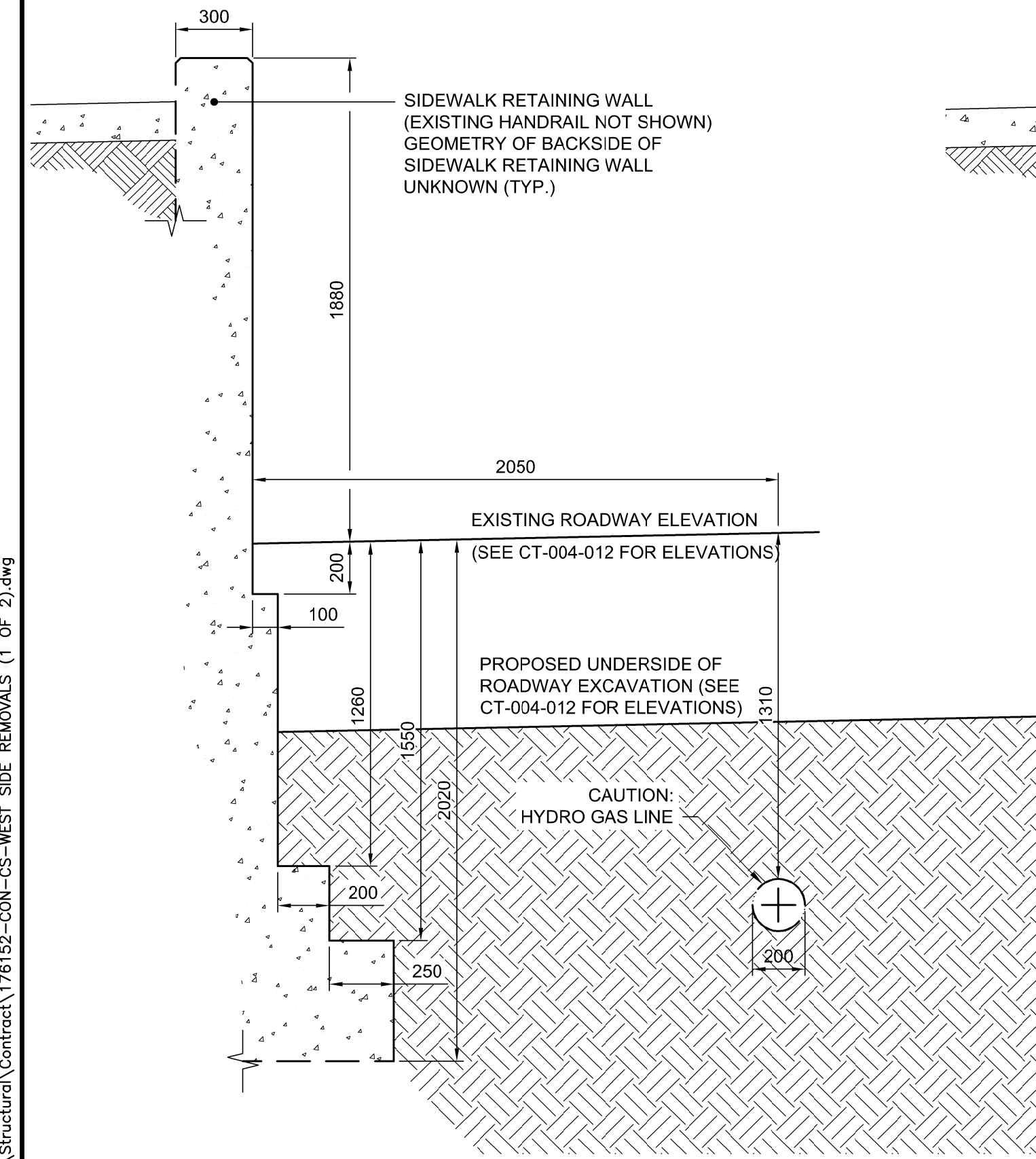


SOUTHWEST SIDEWALK REMOVALS - PLAN



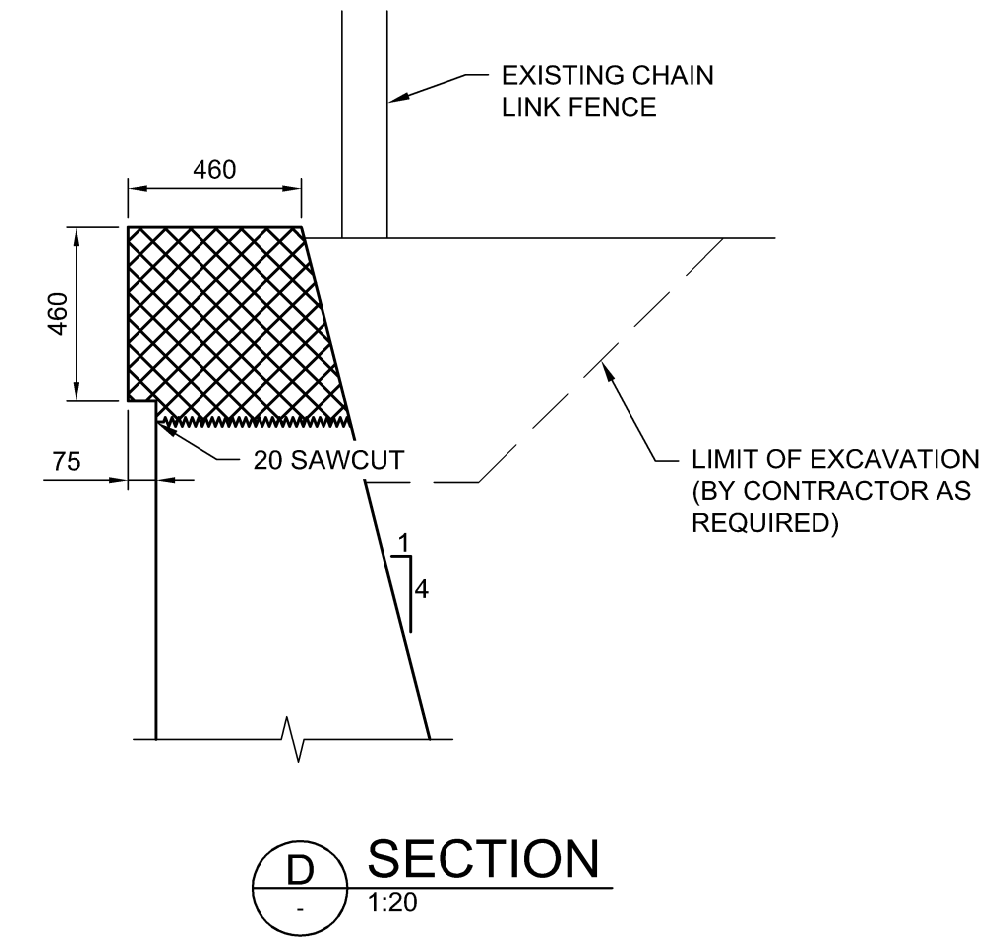
SOUTHWEST SIDEWALK REMOVALS - ELEVATION



SECTION B
1:20

SECTION C
1:20

RESULTS OF EXPLORATORY SOFT DIGGING



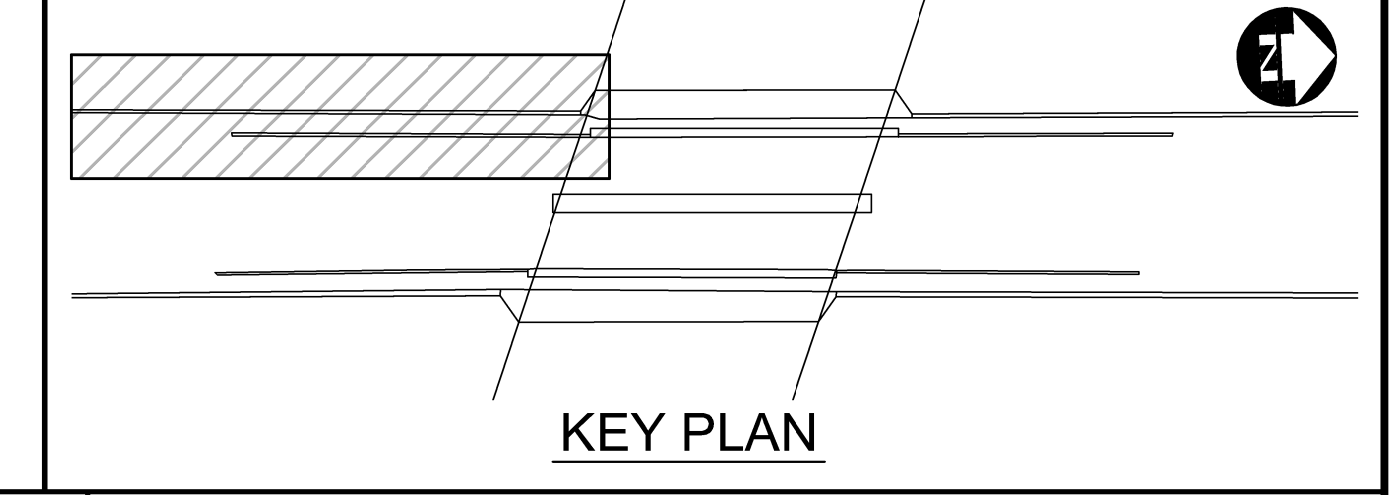
SECTION D
1:20

SCHEDULE OF SOUTHWEST REMOVALS

REMOVAL TYPE	UNIT	APPROX. QUANTITY
1	m ²	105
2	m ²	165
3	L.S.	1'
4	L.S.	1''
5	m	15
6	L.S.	N/A
7	m	4''

* INCLUDES ~8 m OF SIDEWALK RETAINING WALL AND ~22 m² OF STRUCTURAL SIDEWALK.
 ** INCLUDES ~24 m OF UNREINFORCED CONCRETE SUBWAY WALL C/W CHAIN LINK FENCE.
 *** SEE SHT 007 FOR DESCRIPTION OF REMOVAL.

NOTES:
 1. EXISTING RECORD DRAWINGS DO NOT PROVIDE DETAILED INFORMATION ON THE DEPTH OR WIDTHS OF THE SIDEWALK RETAINING WALL FOOTINGS. THE FRONT (ROADWAY) SIDE OF THE SIDEWALK RETAINING WALLS WERE SOFT DUG IN 6 LOCATIONS IN THE FALL OF 2017. THE GEOMETRY OF THE FRONT OF THE WALL DOWN TO THE U/S OF FOOTING AT EACH OF THESE LOCATIONS IS PROVIDED ON CS-003-006. THE CONTRACTOR IS ADVISED THAT THIS INFORMATION IS FOR REFERENCE ONLY AND IS ONLY REPRESENTATIVE OF THE WALL AT THE SPECIFIC LOCATION SOFT DUG.



KEY PLAN

APEGM
 Certificate of Authorization
 Dillon Consulting Limited (MB)
 No. 1789 Date: 18/03/16

PROVINCE OF MANITOBA
 ORIGINAL REGISTRATION
D.R.C. AMORIM
 18/03/16
 Member 33215
 REGISTERED PROFESSIONAL ENGINEER

THE CITY OF WINNIPEG
 PUBLIC WORKS DEPARTMENT
 2018 REGIONAL STREET RENEWAL PROJECT
 McPHILLIPS STREET RECONSTRUCTION AND UNDERPASS
 STRUCTURAL IMPROVEMENTS
 LOGAN AVENUE TO JARVIS AVENUE

DESIGNED BY	DRA		
DRAWN BY	KNL		
CHECKED BY	DRA		
APPROVED BY	TJP		
HOR. SCALE	AS SHOWN		
VERTICAL	AS SHOWN		
0	ISSUED FOR TENDER	18/03/16	TJP
NO.	REVISIONS	DATE	BY

DILLON CONSULTING
 RELEASED FOR CONSTRUCTION
 DATE

CONSULTANT PROJECT NUMBER
 17-6152

CITY DRAWING NUMBER
 U212-18CS-003-R0
 SHEET 003 OF 026
 CONSULTANT DRAWING NUMBER
 CS-003

G:\CAD\176152\Drawings\Structural\Contract\176152-COIN-CS-WEST_SIDE_REMOVALS (1 OF 2).dwg