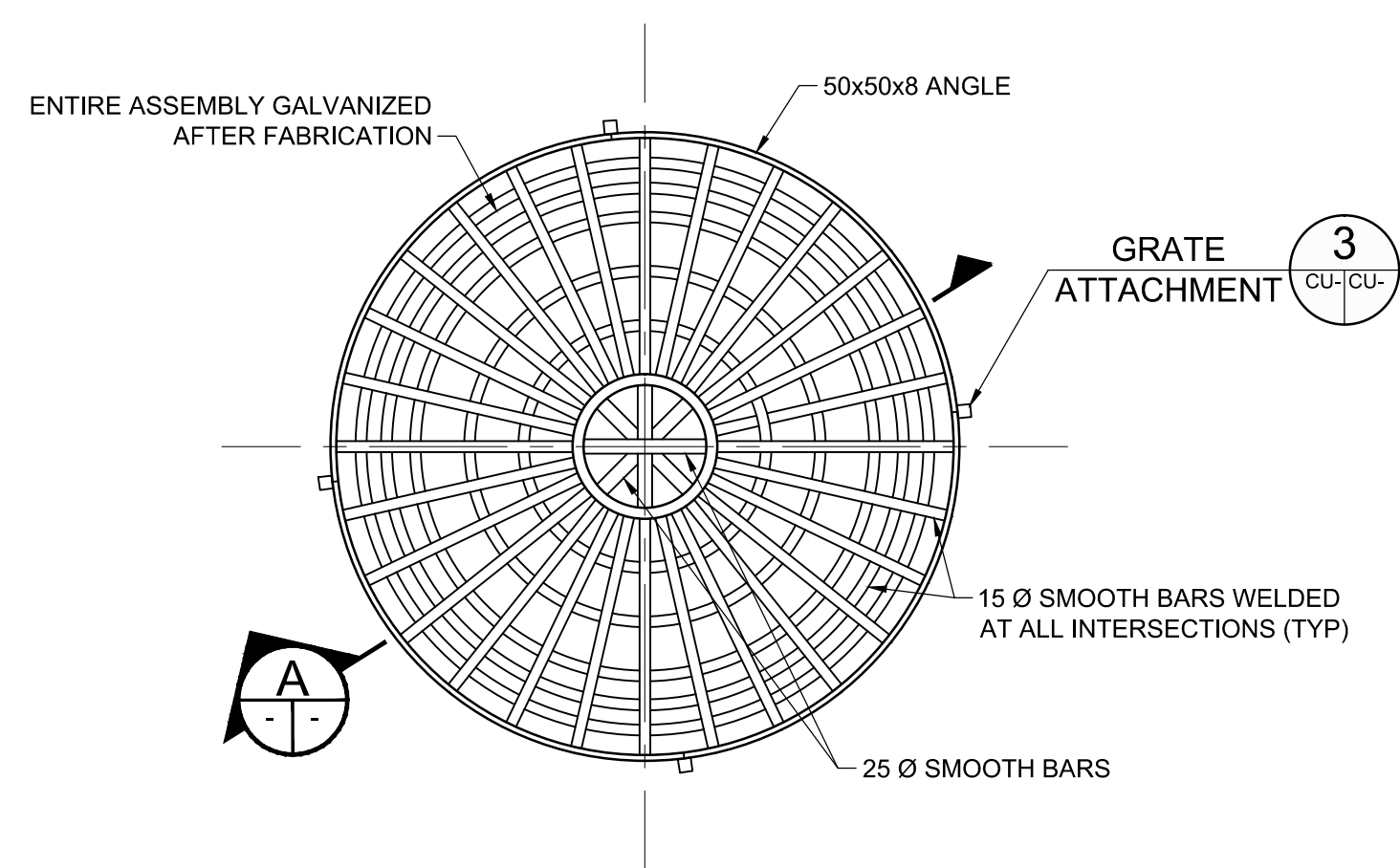
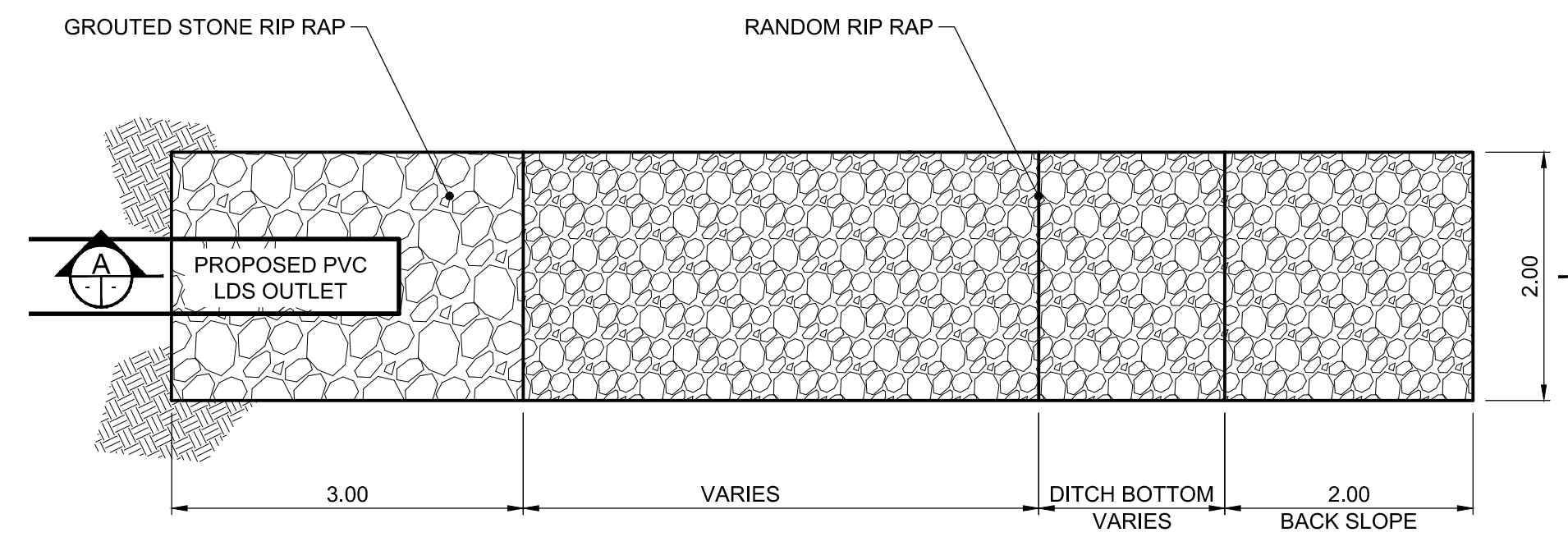


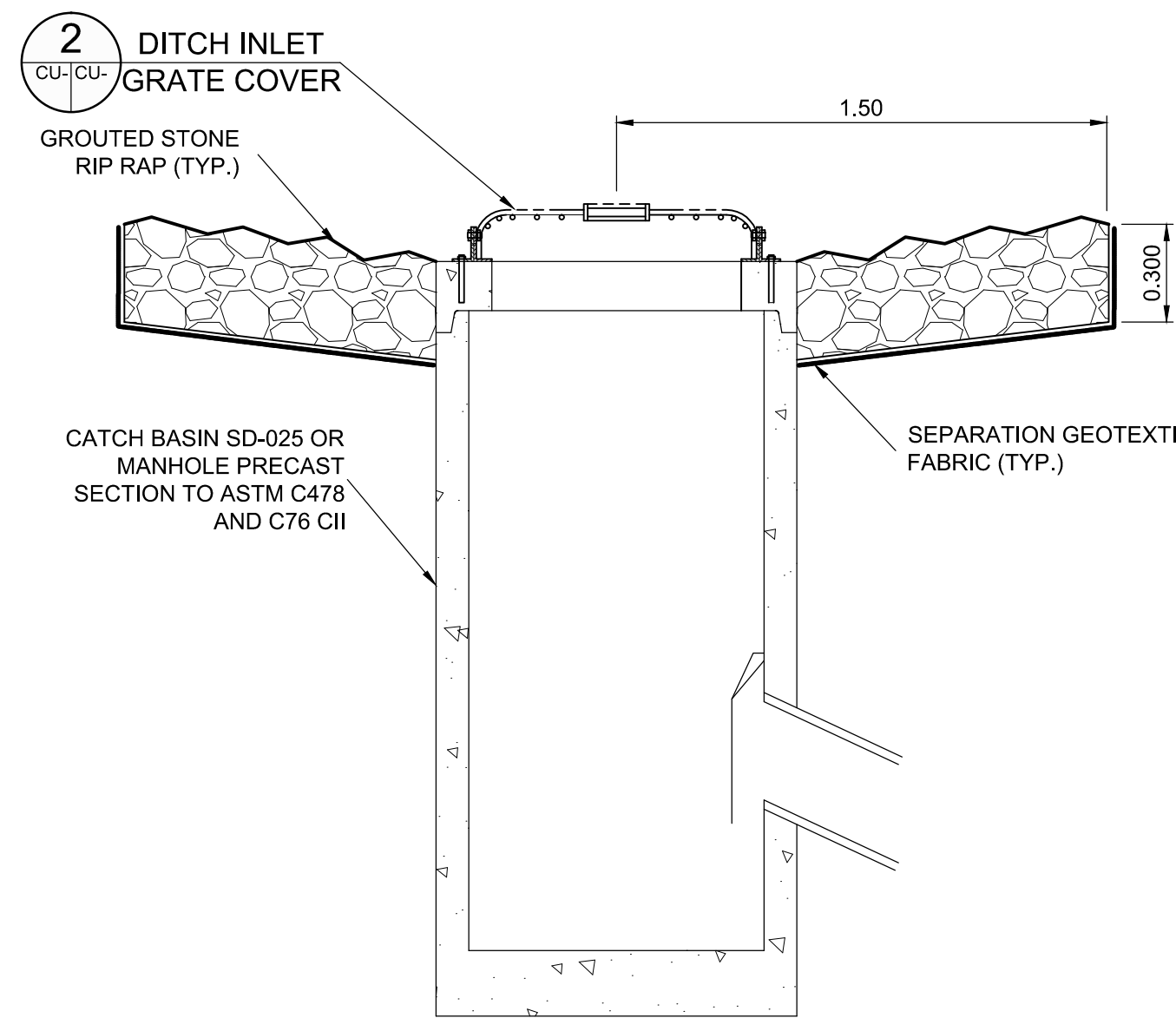
1 GROUTED STONE RIP RAP AT CATCH BASIN  
SCALE 1:50



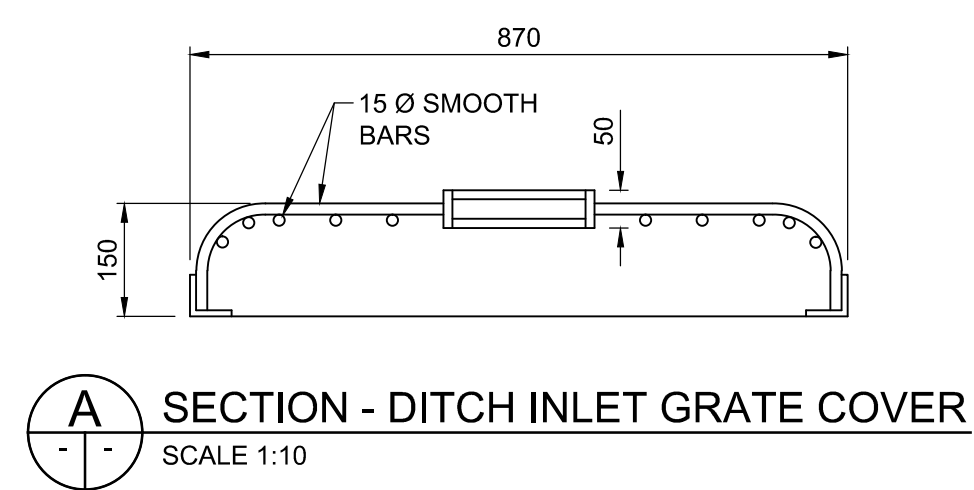
2 DITCH INLET GRATE COVER  
SCALE 1:10



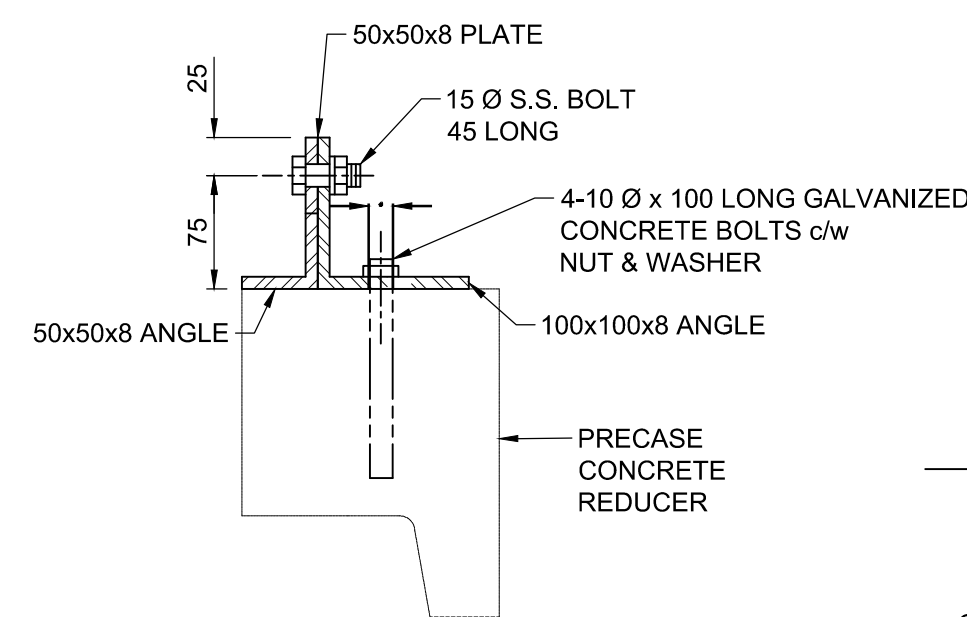
5 GROUTED PVC OUTLET TO SLOPE  
SCALE 1:50



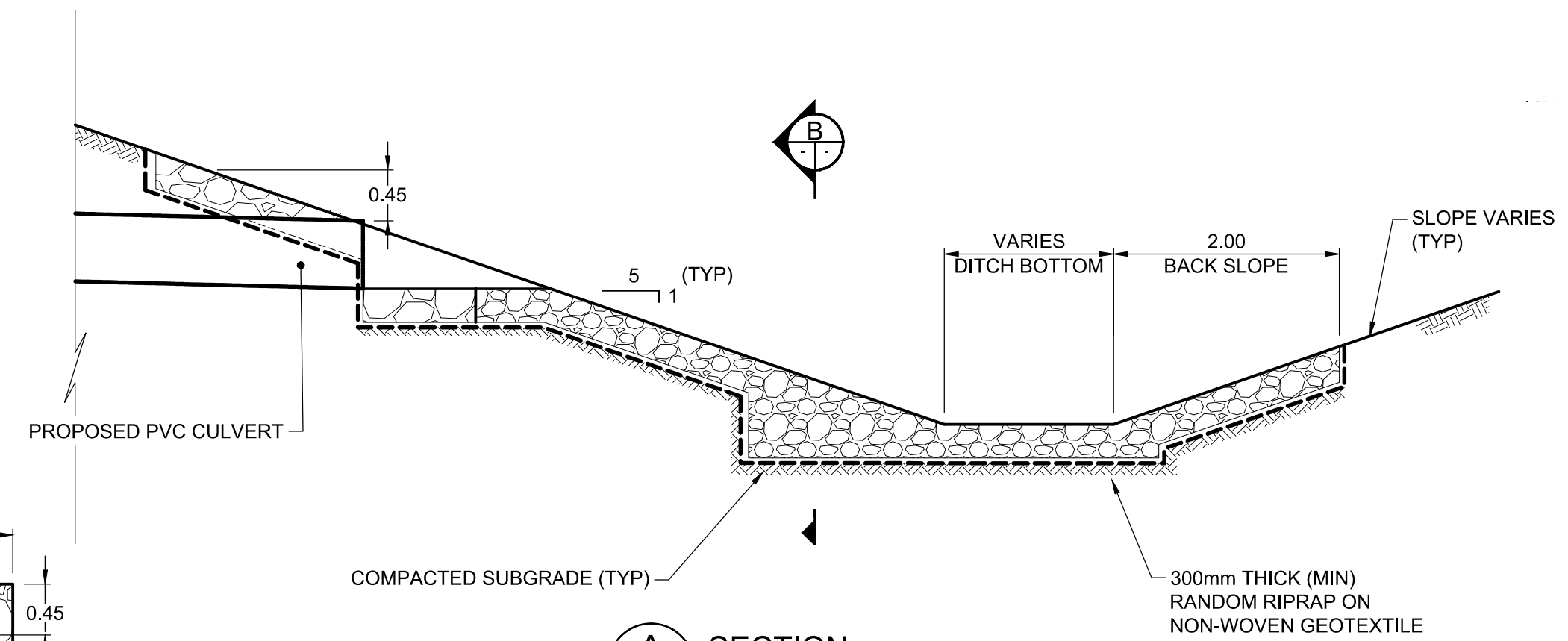
B SECTION  
SCALE 1:20



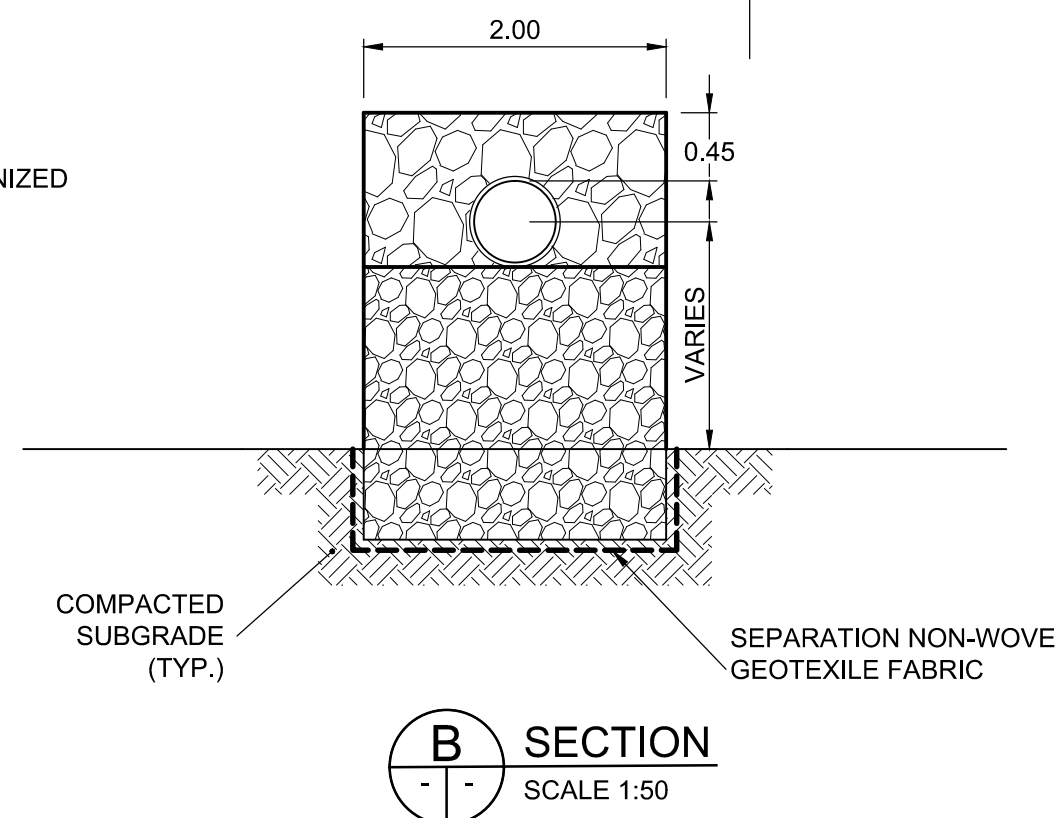
A SECTION - DITCH INLET GRATE COVER  
SCALE 1:10



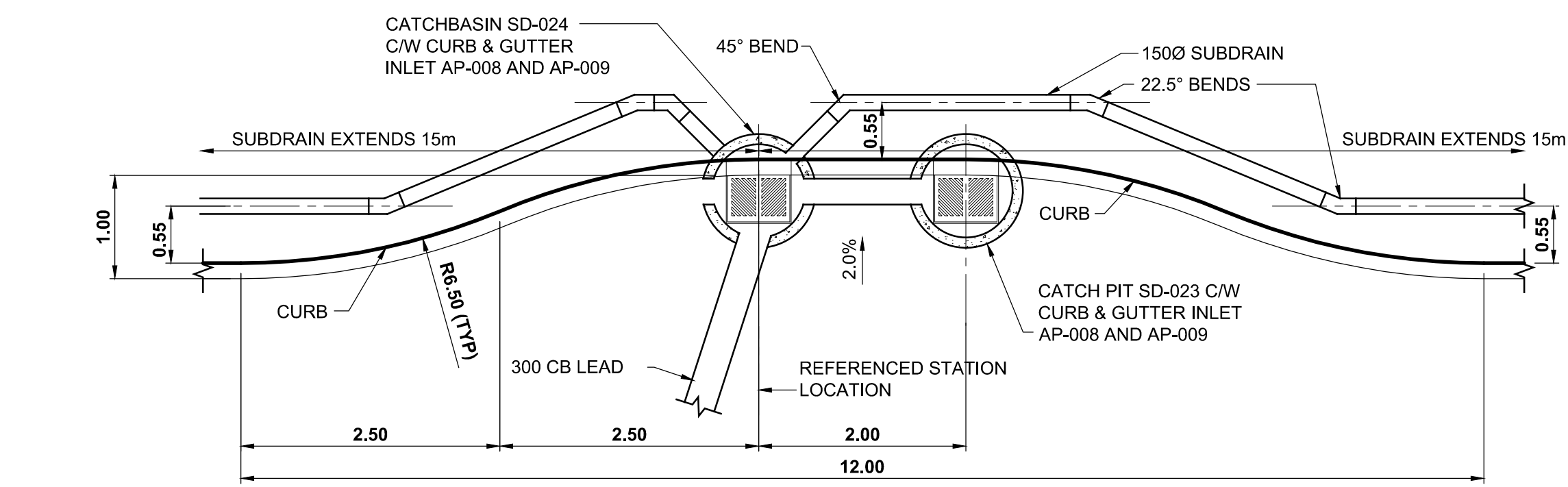
3 GRATE ATTACHMENT  
SCALE 1:5



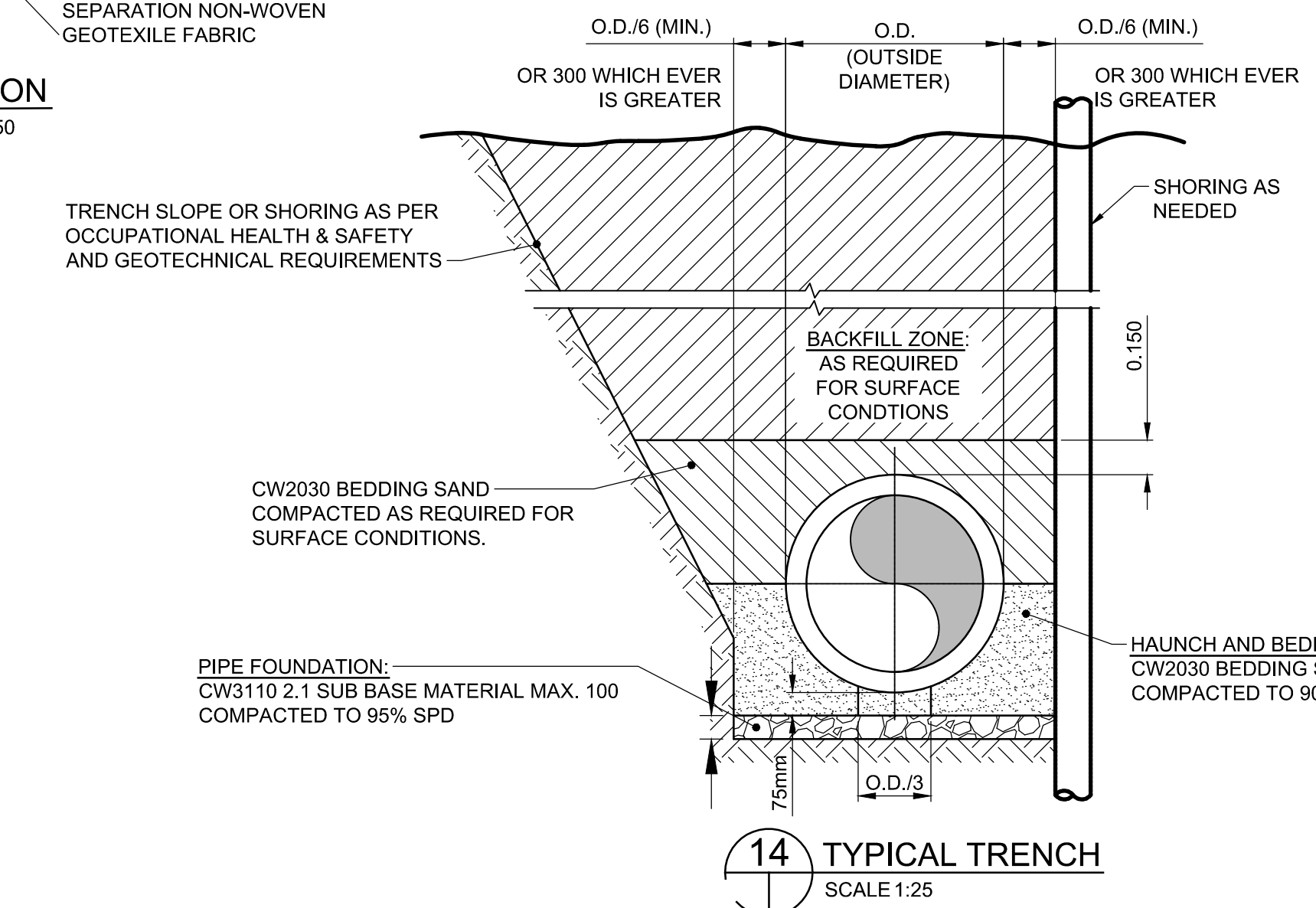
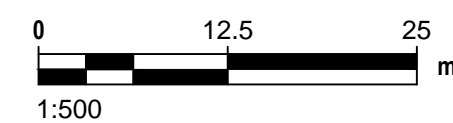
A SECTION  
SCALE 1:50



B SECTION  
SCALE 1:50



4 DOUBLE INLETS WITH LEADS  
SCALE 1:50



14 TYPICAL TRENCH  
SCALE 1:25

METRIC

WHOLE NUMBERS INDICATE MILLIMETRES  
DECIMALIZED NUMBERS INDICATE METRES

WARNING

IF POWER EQUIPMENT OR EXPLOSIVES ARE TO BE USED FOR EXCAVATION ON THIS PROJECT THE CONTRACTOR MUST:

1. NOTIFY THE GAS COMPANY OF THE PROPOSED LOCATION OF EXCAVATION.
2. TAKE PRECAUTION TO AVOID DAMAGE TO GAS COMPANY INSTALLATIONS SEE PROVINCIAL REGULATION 210/72 FOR DETAILS.
3. OBTAIN EXCAVATION PERMITS PRIOR TO CONSTRUCTION.

**APEGM**  
Certificate of Authorization  
**Dillon Consulting Limited (MB)**  
No. 1789 Date: 18/02/01

G:\CAD\175932\Drawings\Utilities\Contract\175932-COON-CU-LDS-DETAILS-FERMOR.dwg

EXISTING	LEGEND-PLAN	PROPOSED	EXISTING	LEGEND-PLAN	PROPOSED	EXISTING	LEGEND-PROFILE	PROPOSED
150 WM	WATERMAIN	150 WM	CONCRETE	CONCRETE	150 WM	WATERMAIN	150 WM	WATERMAIN
300 LDS	HYDRANT	300 LDS	ASPHALT	ASPHALT	300 LDS	LAND DRAINAGE SEWER	300 LDS	LAND DRAINAGE SEWER
250 WWS	VALVE	250 WWS	PLANING	PLANING	250 WWS	WASTE WATER SEWER	250 WWS	WASTE WATER SEWER
HYDRD	MANHOLE	HYDRD	SIDEWALK	SIDEWALK	+	HYDRANT	+	HYDRANT
M.T.S.	CATCH BASIN	M.T.S.	PAVING STONES	PAVING STONES	+	VALVE	+	VALVE
100 GAS	CURB INLET	100 GAS	PARTIAL DEPTH REPAIR	PARTIAL DEPTH REPAIR	+	Q PROFILE	+	Q PROFILE
	LAND DRAINAGE SEWER	300 LDS	PROPERTY LINE	PROPERTY LINE	+	NORTH/WEST GUTTER	---	NORTH/WEST GUTTER
	WASTE WATER SEWER	250 WWS	DRAINAGE ARROW	DRAINAGE ARROW	---	SOUTH/EAST GUTTER	---	SOUTH/EAST GUTTER
	HYDRO	HYDRD	CURB RAMP (SD-229C)	CURB RAMP (SD-229C)	---	NORTH/WEST DITCH	---	NORTH/WEST DITCH
	M.T.S.	M.T.S.	DETECTABLE WARNING SURFACE TILE (SD-229AA)	DETECTABLE WARNING SURFACE TILE (SD-229AA)	---	SOUTH/EAST DITCH	---	SOUTH/EAST DITCH
	GAS	100 GAS						

UNDERGROUND STRUCTURES	B.M. ELEV.
SUPV. U/G STRUCTURES	DATE
LOCATION OF UNDERGROUND STRUCTURES AS SHOWN ARE BASED ON THE BEST INFORMATION AVAILABLE, BUT NO GUARANTEE IS GIVEN THAT ALL EXISTING UTILITIES ARE SHOWN OR THAT THE GIVEN LOCATIONS ARE EXACT. CONFIRMATION OF EXISTENCE AND EXACT LOCATION OF ALL SERVICES MUST BE OBTAINED FROM THE INDIVIDUAL UTILITIES BEFORE PROCEEDING WITH CONSTRUCTION.	

DESIGNED BY	DRAWN BY	CHECKED BY	APPROVED BY	HOR. SCALE	VERTICAL SCALE
				1:500	1:50
0	ISSUED FOR TENDER	18/02/09	WPN		
NO.	REVISIONS	DATE	BY	DATE	

**DILLON CONSULTING**

ENGINEER'S SEAL  
PROVINCE OF MANITOBA  
**W.P. NAIRN**  
REGISTERED PROFESSIONAL ENGINEER

RELEASED FOR CONSTRUCTION  
CONSULTANT PROJECT NUMBER  
**17-5932**

**THE CITY OF WINNIPEG**  
PUBLIC WORKS DEPARTMENT  
**FERMOR AVENUE BRIDGE OVER SEINE RIVER**  
BRIDGE REHABILITATION, PEDESTRIAN-CYCLIST UNDERPASS STRUCTURE AND ROADWORKS FROM ST. ANNE'S ROAD TO ARCHIBALD STREET  
CITY DRAWING NUMBER  
P-3489-2017-CU-009  
SHEET **009** OF **11**  
CONSULTANT DRAWING NUMBER  
**CU-009**  
**LDs STANDARD DETAILS 1**