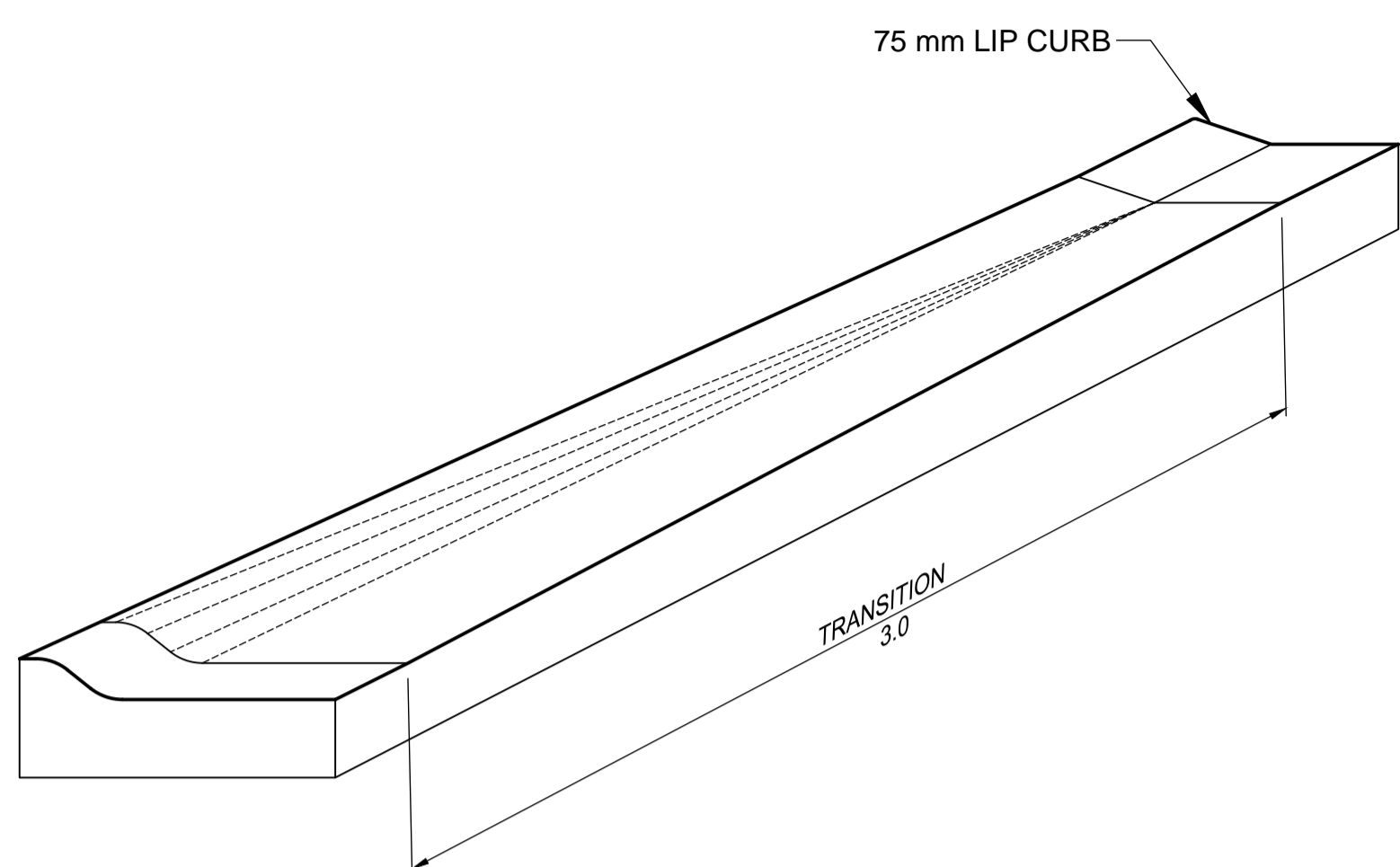
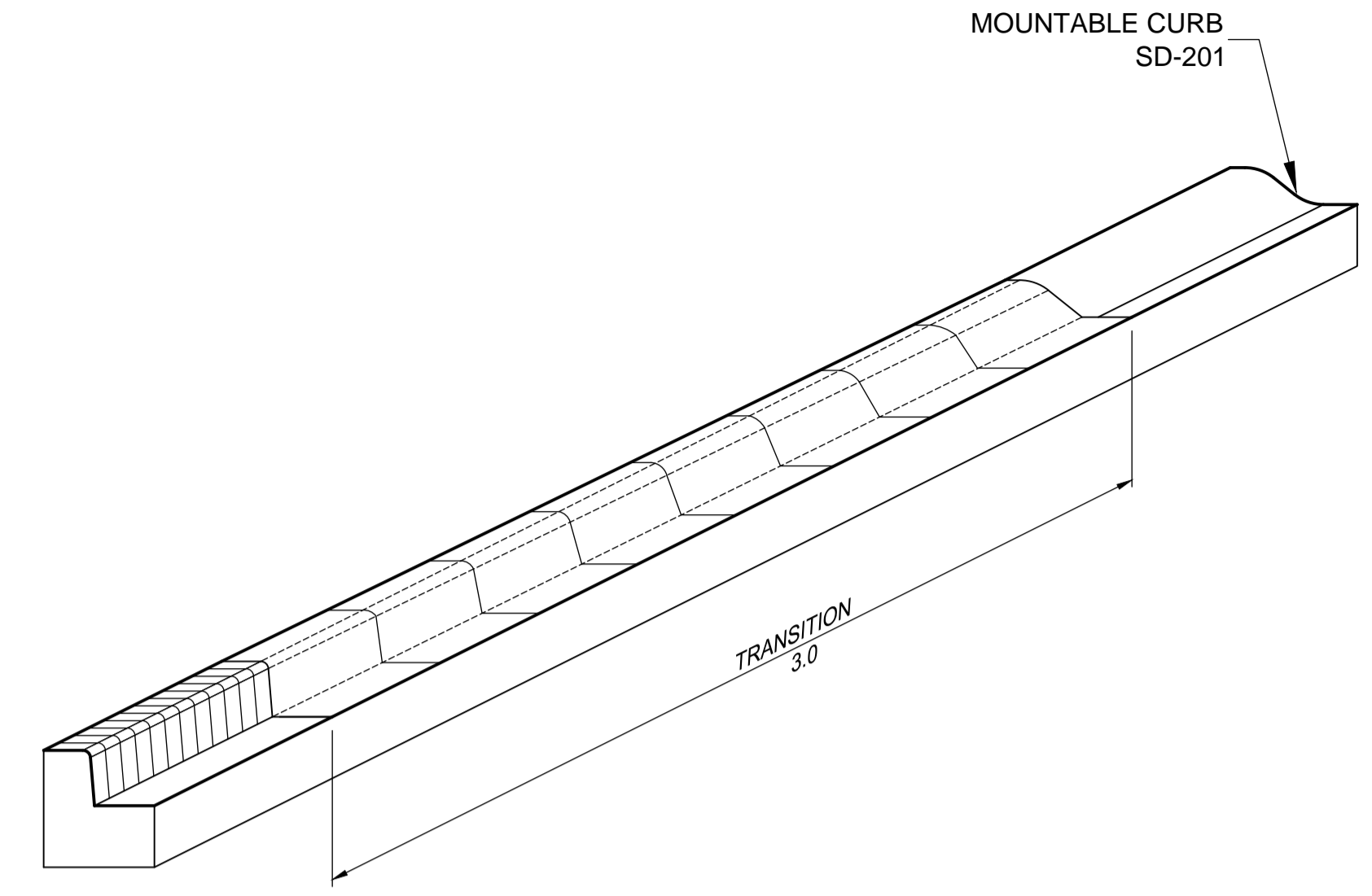


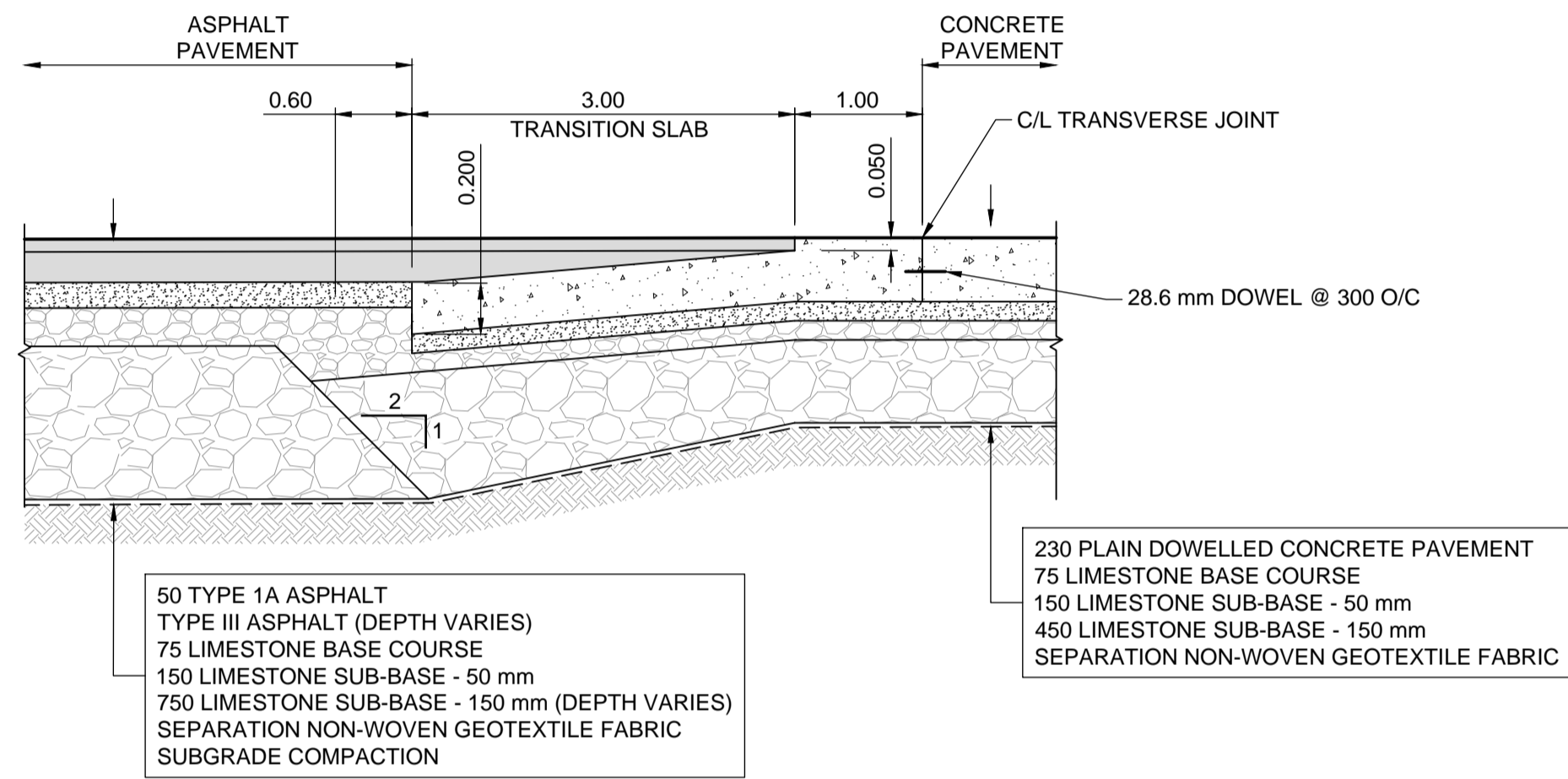
1 TRANSITION SLAB - ASPHALT TO CONCRETE W/OVERLAY
 CT-CT-013,028,038,058 SCALE: H-1:50 V-1:25



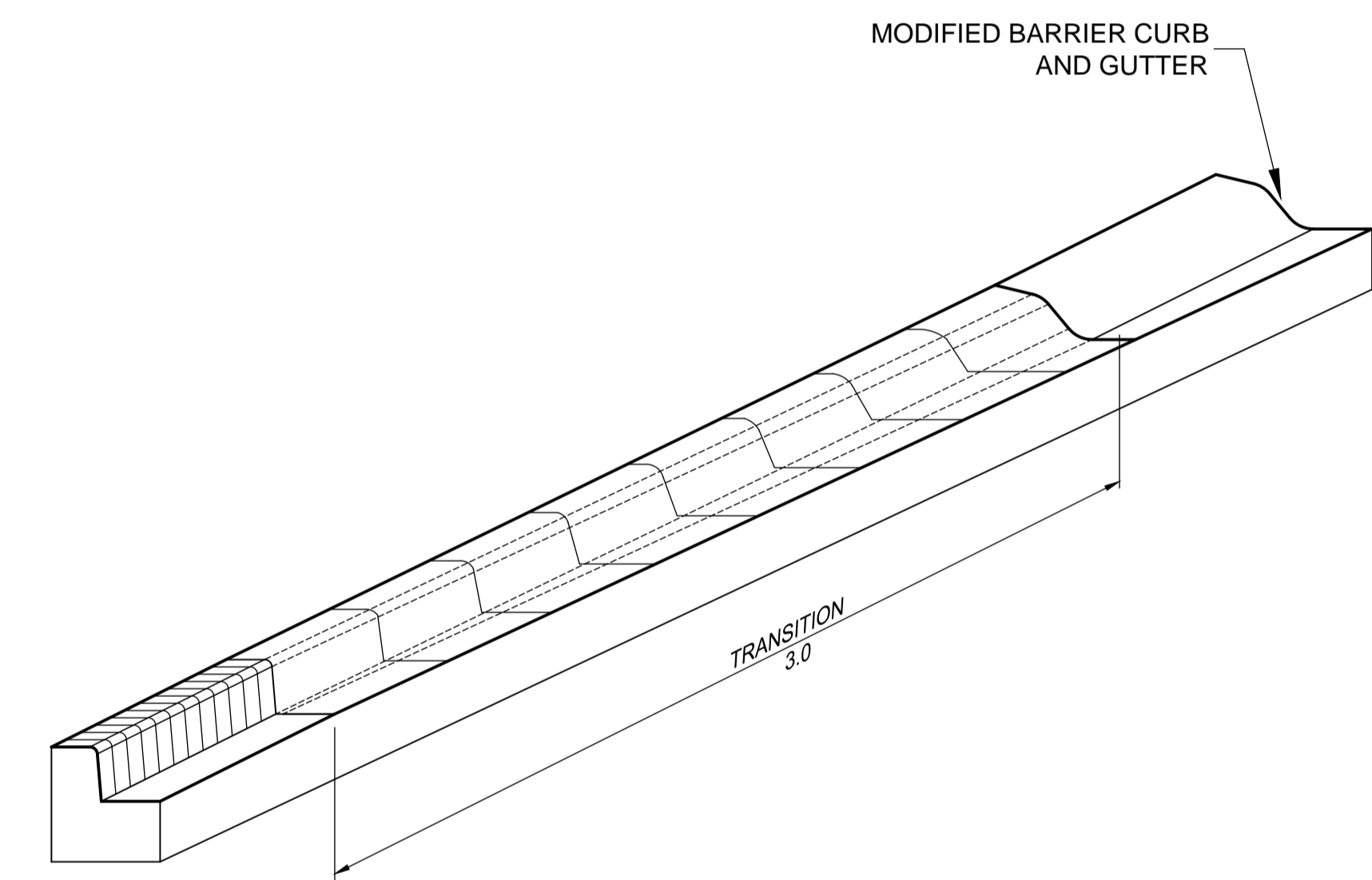
5 TRANSITION - MOUNTABLE CURB TO 75 LIP CURB AND GUTTER
 CT-CT-011,013,058 SCALE: 1:20



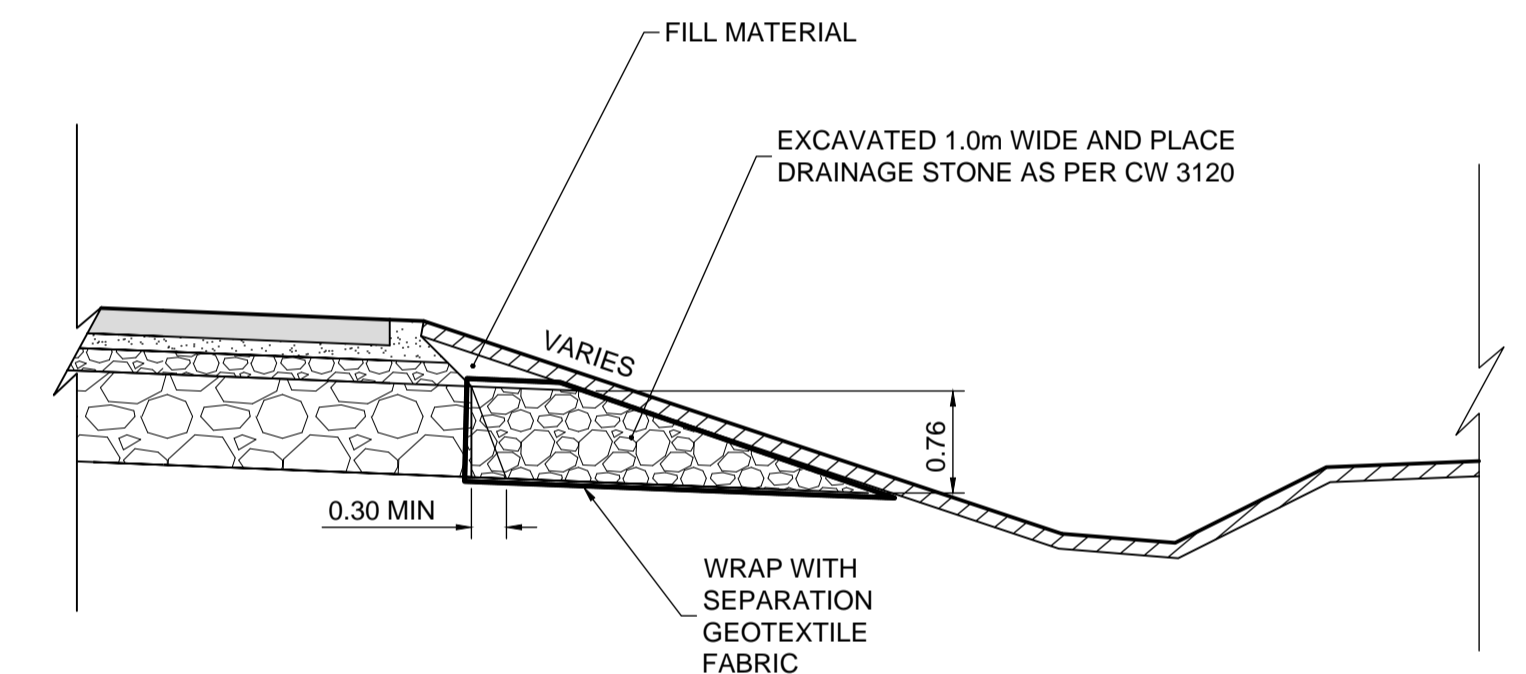
6 TRANSITION - BARRIER CURB AND GUTTER TO MOUNTABLE
 (ISOMETRIC VIEW)
 CT-CT-013,058 SCALE: 1:20



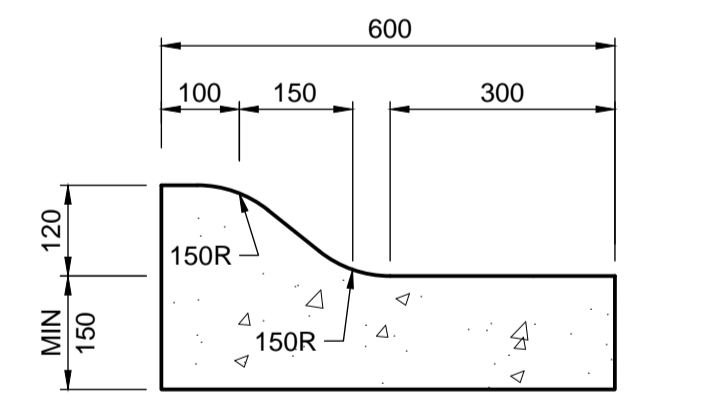
2 TRANSITION SLAB - ASPHALT TO CONCRETE
 CT-CT-011,013,058 SCALE: H-1:50 V-1:25



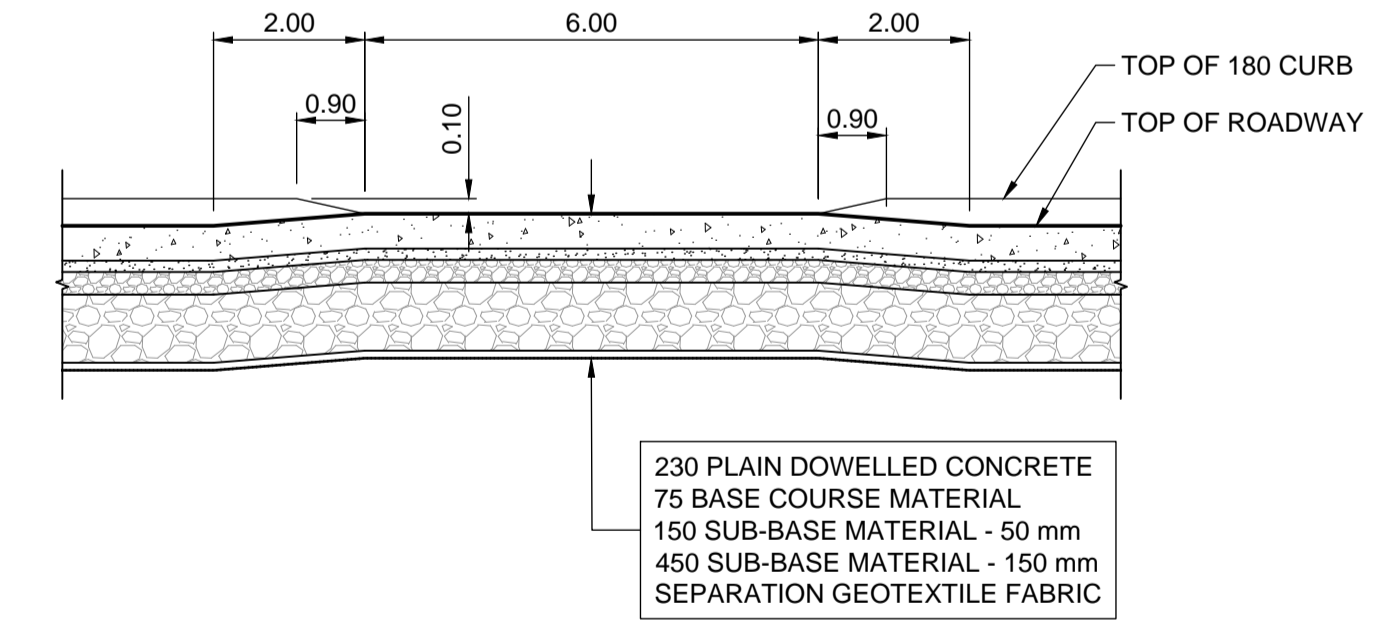
7 TRANSITION - BARRIER CURB AND GUTTER TO MODIFIED BARRIER
 (ISOMETRIC VIEW)
 CT-CT-011,013,058 SCALE: 1:20



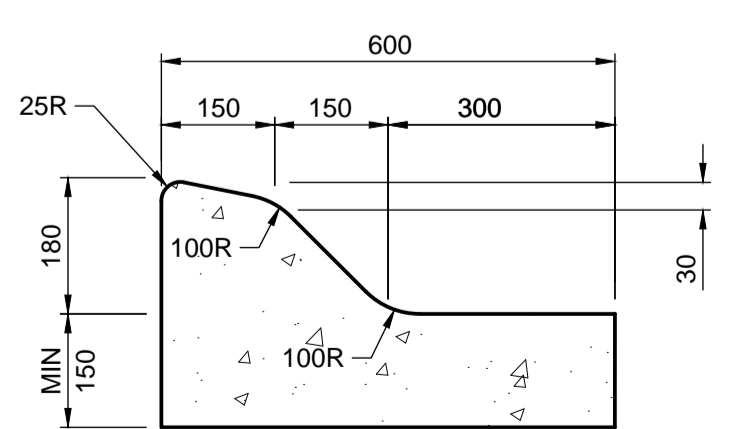
8 FRENCH DRAIN
 CT-CT-013,016,026,028,032,058 SCALE: H-1:100 V-1:50



3 MOUNTABLE CURB & GUTTER
 CT-CT-011,013,016,019,028,029,058 SCALE: 1:10



A SECTION
 CT-CT SCALE: HORZ. 1:100 VERT. 1:50



4 MODIFIED BARRIER CURB & GUTTER
 CT-CT-011,019,058 SCALE: 1:10



THE CITY OF WINNIPEG
 PUBLIC WORKS DEPARTMENT

Winnipeg

FERMOR AVENUE BRIDGE OVER SEINE RIVER
 BRIDGE REHABILITATION, PEDESTRIAN-CYCLIST UNDERPASS STRUCTURE
 AND ROADWORKS FROM ST. ANNE'S ROAD TO ARCHIBALD STREET

CITY DRAWING NUMBER: P-3489-2017-CT-058
 SHEET: 058 OF 067
 CONSULTANT DRAWING NUMBER: CT-058

DETAILS (1 OF 2)

DESIGNED BY: JAT		ENGINEER'S SEAL: J.N. CRANG
DRAWN BY: PMW		CONSULTANT PROJECT NUMBER: 17-5932
CHECKED BY: JNC		RELEASED FOR CONSTRUCTION: _____
APPROVED BY: JNC		DATE: _____
HOR. SCALE: 1:250	VERTICAL: 1:10	
0 ISSUED FOR TENDER 18/02/09 JNC NO. REVISIONS DATE BY DATE		

UNDERGROUND STRUCTURES	B.M. ELEV.	SEE SHEET CT-001 FOR CONTROL POINT INFORMATION
SUPV. U/G STRUCTURES	DATE	
LOCATION OF UNDERGROUND STRUCTURES AS SHOWN ARE BASED ON THE BEST INFORMATION AVAILABLE. BUT NO GUARANTEE IS GIVEN THAT ALL EXISTING UTILITIES ARE SHOWN OR THAT THE GIVEN LOCATIONS ARE EXACT. CONFIRMATION OF EXISTENCE AND EXACT LOCATION OF ALL SERVICES MUST BE OBTAINED FROM THE INDIVIDUAL UTILITIES BEFORE PROCEEDING WITH CONSTRUCTION.		

G:\CAD\175932\Drawings\Roadworks\Contract\175932-COON-CT-DETAILS.dwg