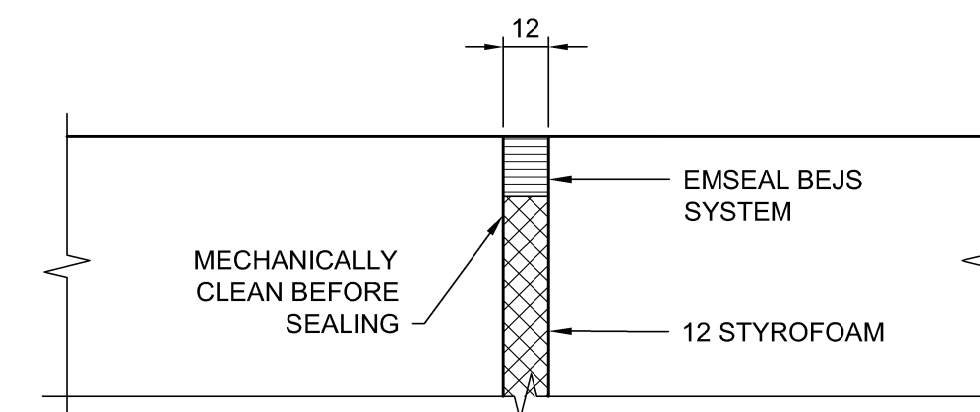
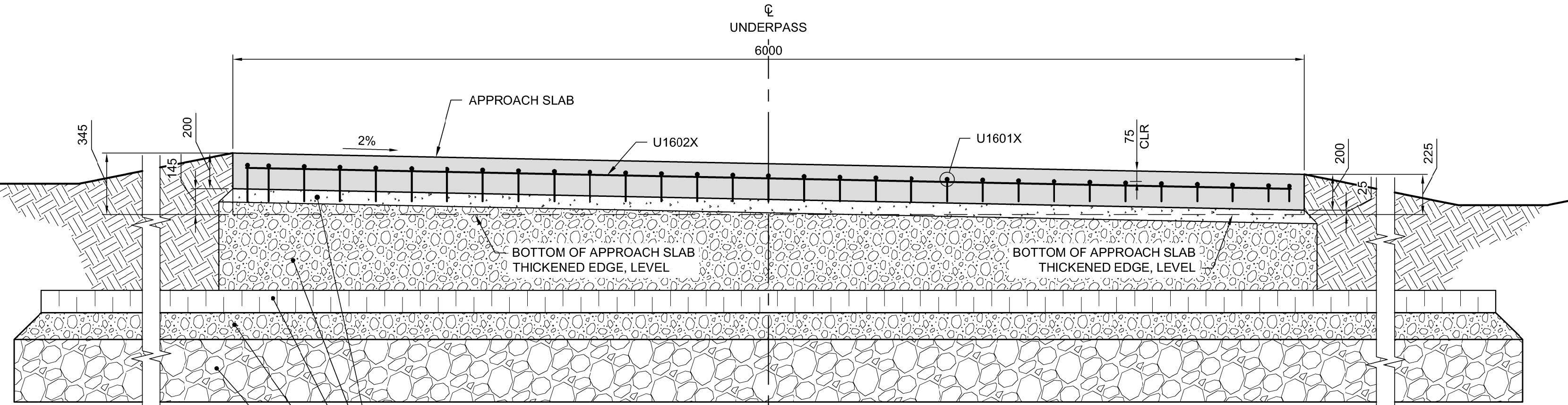


**APPROACH SLAB CONCRETE AND REINFORCING PLAN**

1:25  
TOP AND BOTTOM REINFORCING

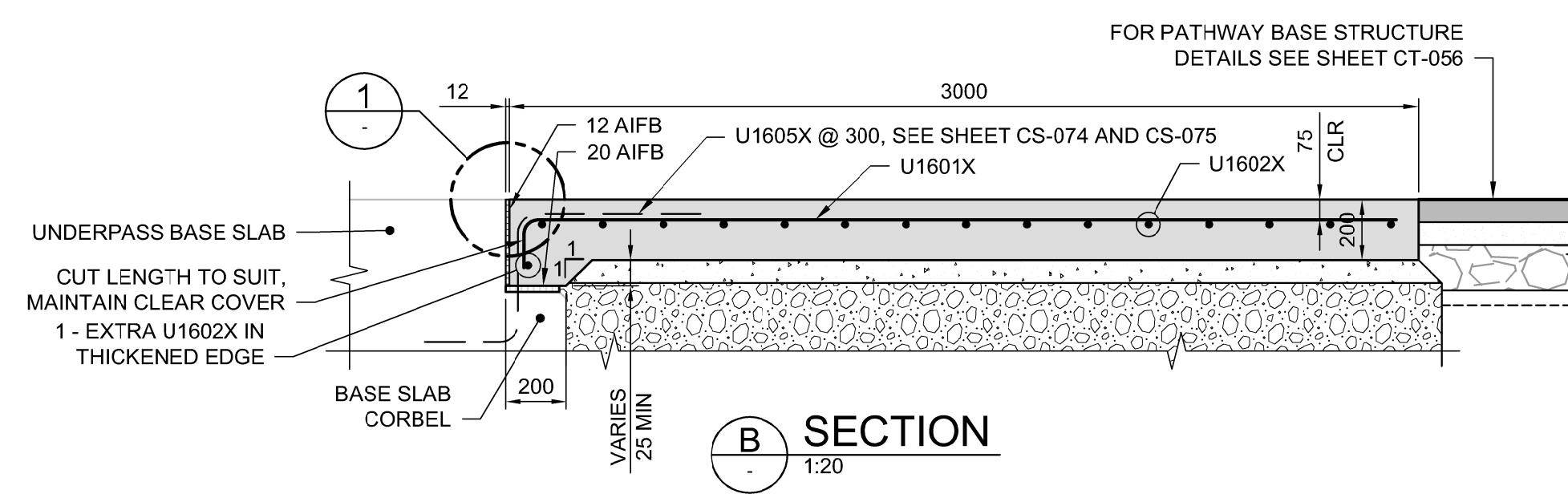


**1** DETAIL  
1:2



**A** SECTION  
1:20

- 75 WORKING BASE
- GRANULAR BASE
- 125 RIGID POLYSTYRENE
- 150 BASE
- 350 SUBBASE
- CLASS 1 (HEAVY DUTY WOVEN GEOTEXTILE)



**B** SECTION  
1:20



NO.	REVISIONS	DATE	BY
0	ISSUED FOR TENDER	18/02/09	DRA

DESIGNED BY		CHECKED BY	
DRA		SSR	
DRAWN BY		APPROVED BY	
MG		MBL	
HOR. SCALE		RELEASED FOR CONSTRUCTION	
AS SHOWN			
VERTICAL SCALE		DATE	
AS SHOWN		2018/02/09	

ENGINEER'S SEAL  
  
 CONSULTANT PROJECT NUMBER  
**17-5932**

**THE CITY OF WINNIPEG**  
 PUBLIC WORKS DEPARTMENT  
  
**FERMOR AVENUE BRIDGE OVER SEINE RIVER**  
 BRIDGE RE-HABILITATION, PEDESTRIAN-CYCLIST UNDERPASS STRUCTURE AND ROADWORKS FROM ST. ANNE'S ROAD TO ARCHIBALD STREET  
 PEDESTRIAN-CYCLIST UNDERPASS  
 APPROACH SLAB DETAILS  
 CITY DRAWING NUMBER  
 U-243-2017-CS-077  
 SHEET **077** OF **100**  
 CONSULTANT DRAWING NUMBER  
**CS-077**

G:\CAD\175932\Drawings\Structural\Underpass\CON-CS-REINF DETAILS 4.dwg