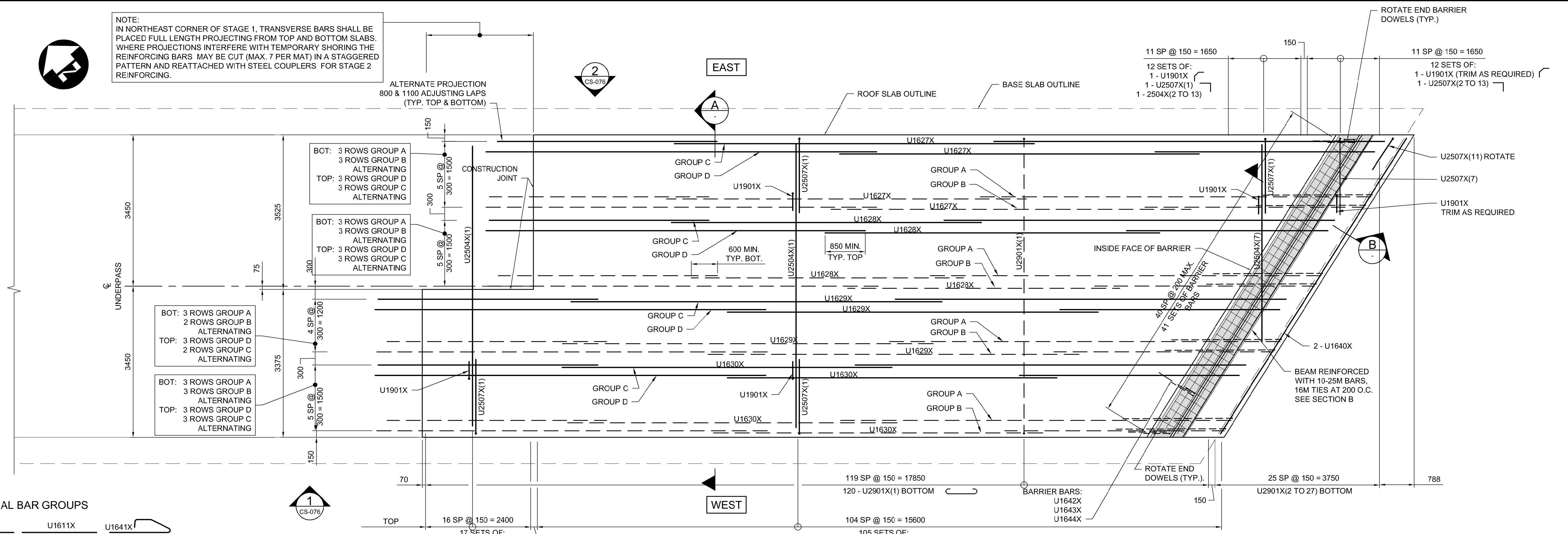
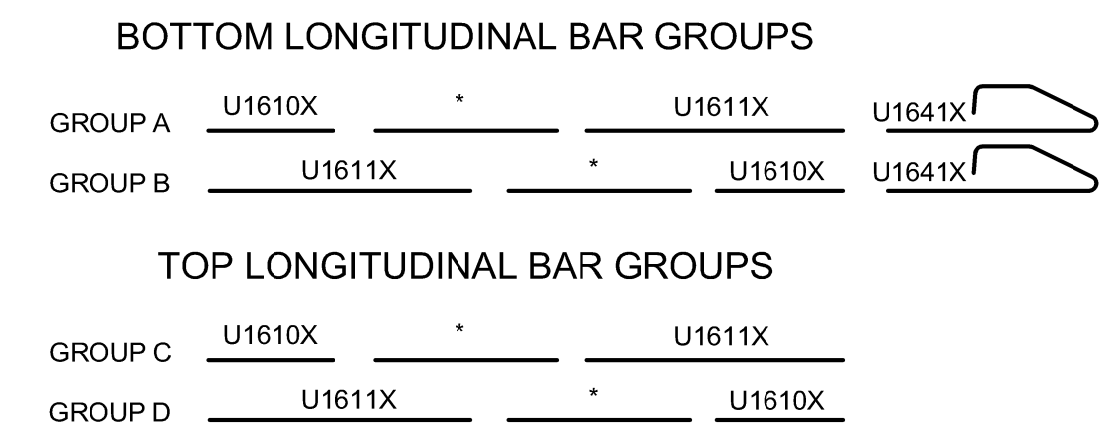


NOTE:
IN NORTHEAST CORNER OF STAGE 1, TRANSVERSE BARS SHALL BE PLACED FULL LENGTH PROJECTING FROM TOP AND BOTTOM SLABS. WHERE PROJECTIONS INTERFERE WITH TEMPORARY SHORING THE REINFORCING BARS MAY BE CUT (MAX. 7 PER MAT) IN A STAGGERED PATTERN AND REATTACHED WITH STEEL COUPLERS FOR STAGE 2 REINFORCING.

ALTERNATE PROJECTION
800 & 1100 ADJUSTING LAPS
(TYP. TOP & BOTTOM)

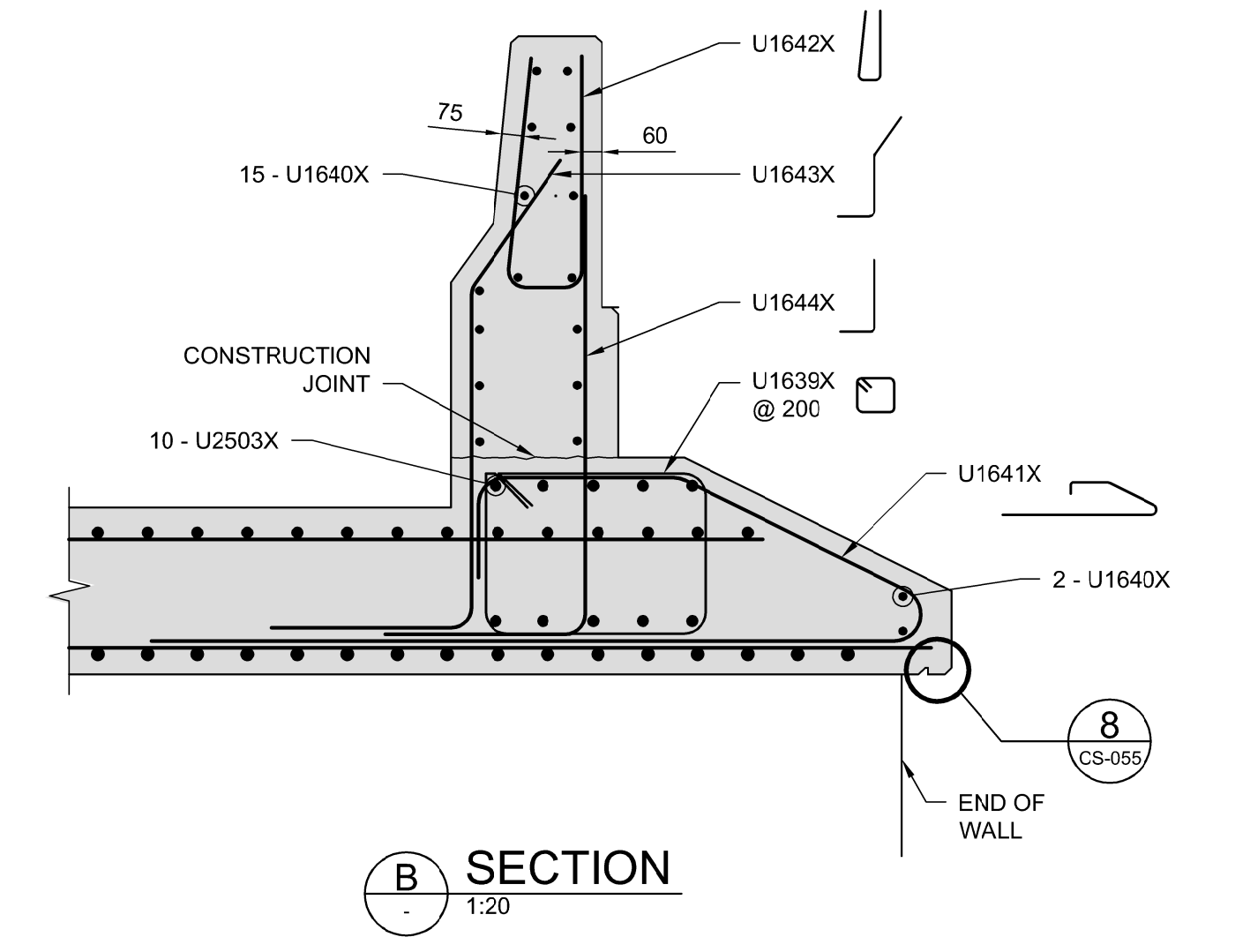
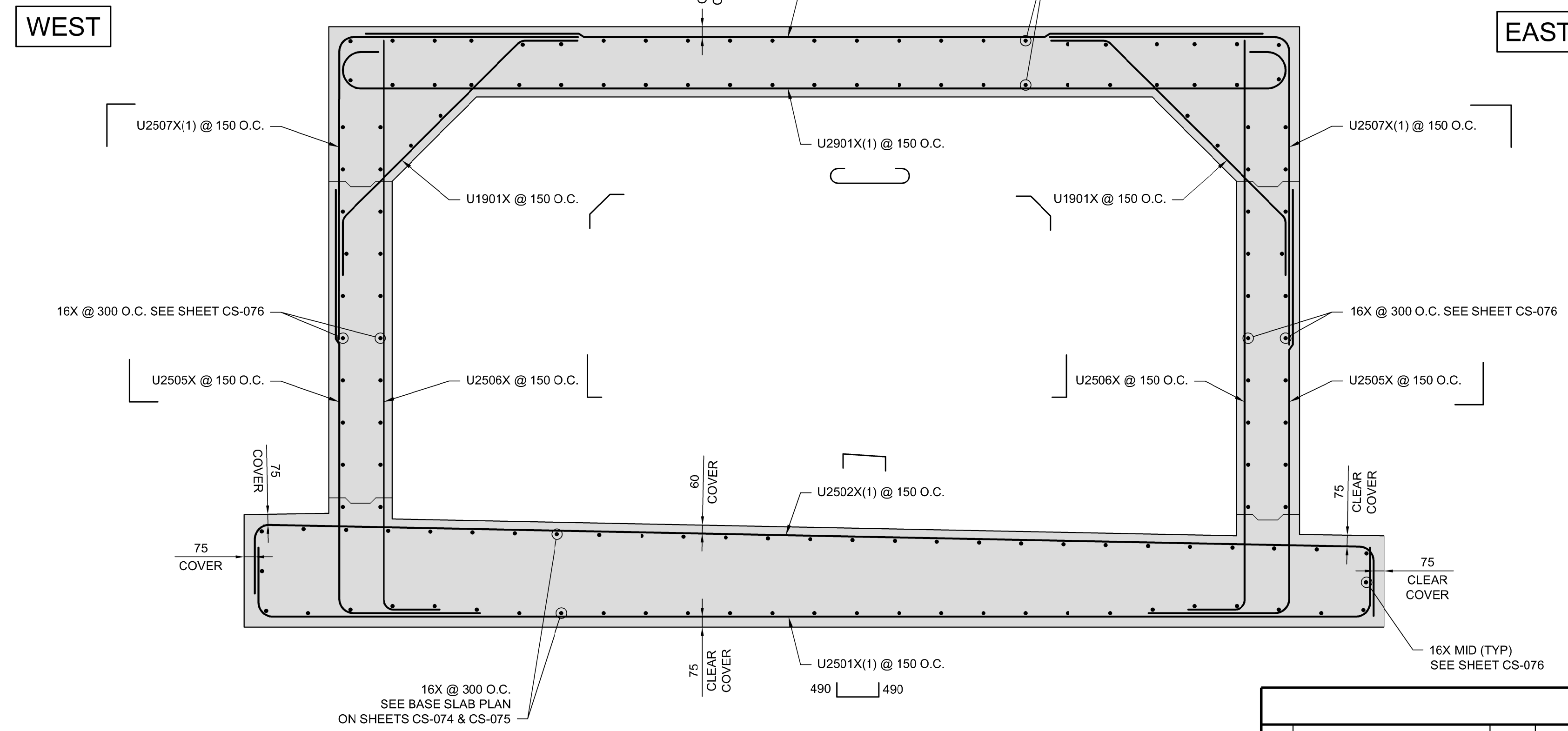


LEGEND
 — TOP BAR
 - - - BOTTOM BAR



ROOF SLAB REINFORCING PLAN - STAGE 1

1:50
TOP & BOTTOM REINFORCING
SOUTH SLAB (STAGE 1)



NOTES:
 1. CONCRETE COVER SHALL BE 60mm UNLESS NOTED OTHERWISE.

A SECTION
1:25

B SECTION
1:20



DESIGNED BY: DRA		CHECKED BY: SSR	
DRAWN BY: DB		APPROVED BY: MBL	
HOR. SCALE: AS SHOWN		RELEASED FOR CONSTRUCTION	
VERTICAL: AS SHOWN		DATE: 2018/02/09	
0	ISSUED FOR TENDER	18/02/09	DRA
NO.	REVISIONS	DATE	BY

ENGINEER'S SEAL
 PROVINCE OF MANITOBA
D.R.C. AMORIM
 Member 33215
 REGISTERED PROFESSIONAL ENGINEER
 CONSULTANT PROJECT NUMBER
 17-5932

THE CITY OF WINNIPEG
 PUBLIC WORKS DEPARTMENT

FERMOR AVENUE BRIDGE OVER SEINE RIVER
 BRIDGE RE-HABILITATION, PEDESTRIAN-CYCLIST UNDERPASS STRUCTURE AND ROADWORKS FROM ST. ANNE'S ROAD TO ARCHIBALD STREET

PEDESTRIAN-CYCLIST UNDERPASS
 REINFORCING DETAILS 1 OF 5

CITY DRAWING NUMBER: U-243-2017-CS-072
 SHEET 072 OF 100
 CONSULTANT DRAWING NUMBER: CS-072

G:\CAD\175932\Drawings\Structural\Underpass\175932-UNDERPASS-CON-CS-REINF DETAILS 1.dwg