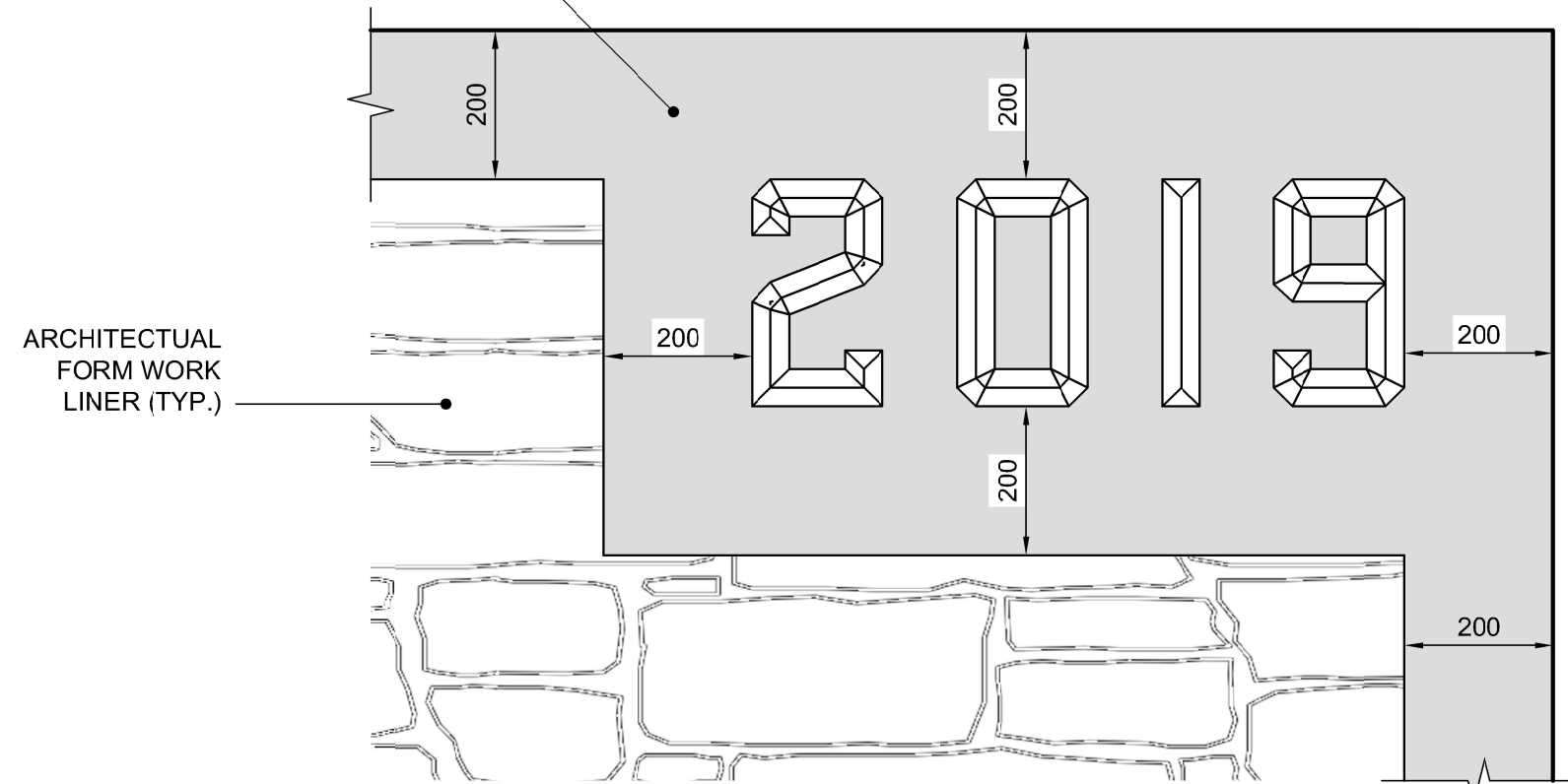
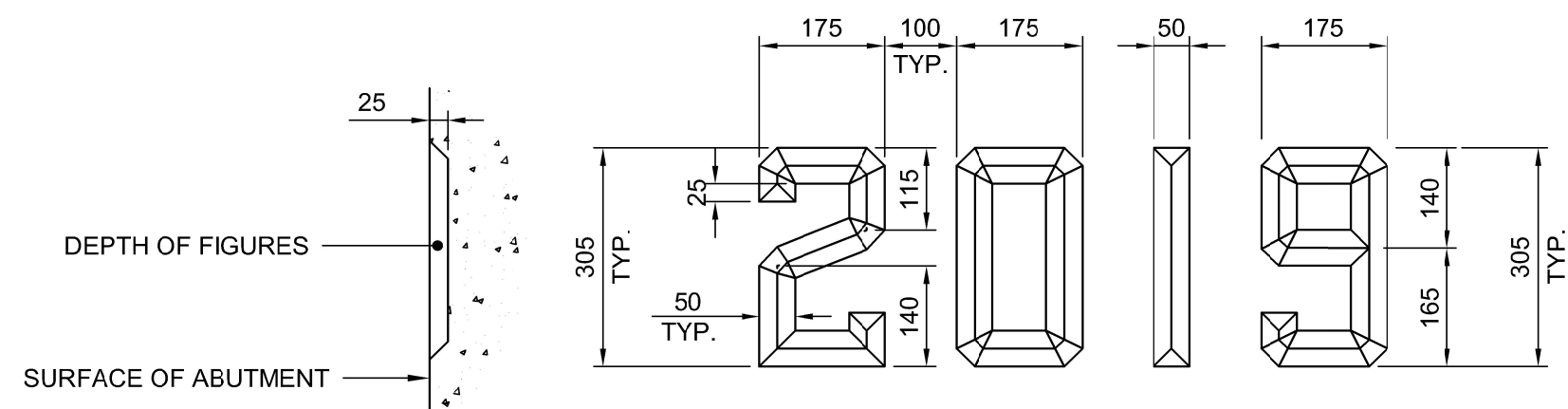


**A DRAINAGE PLAN AT UNDERPASS - SOUTH END**  
1:20

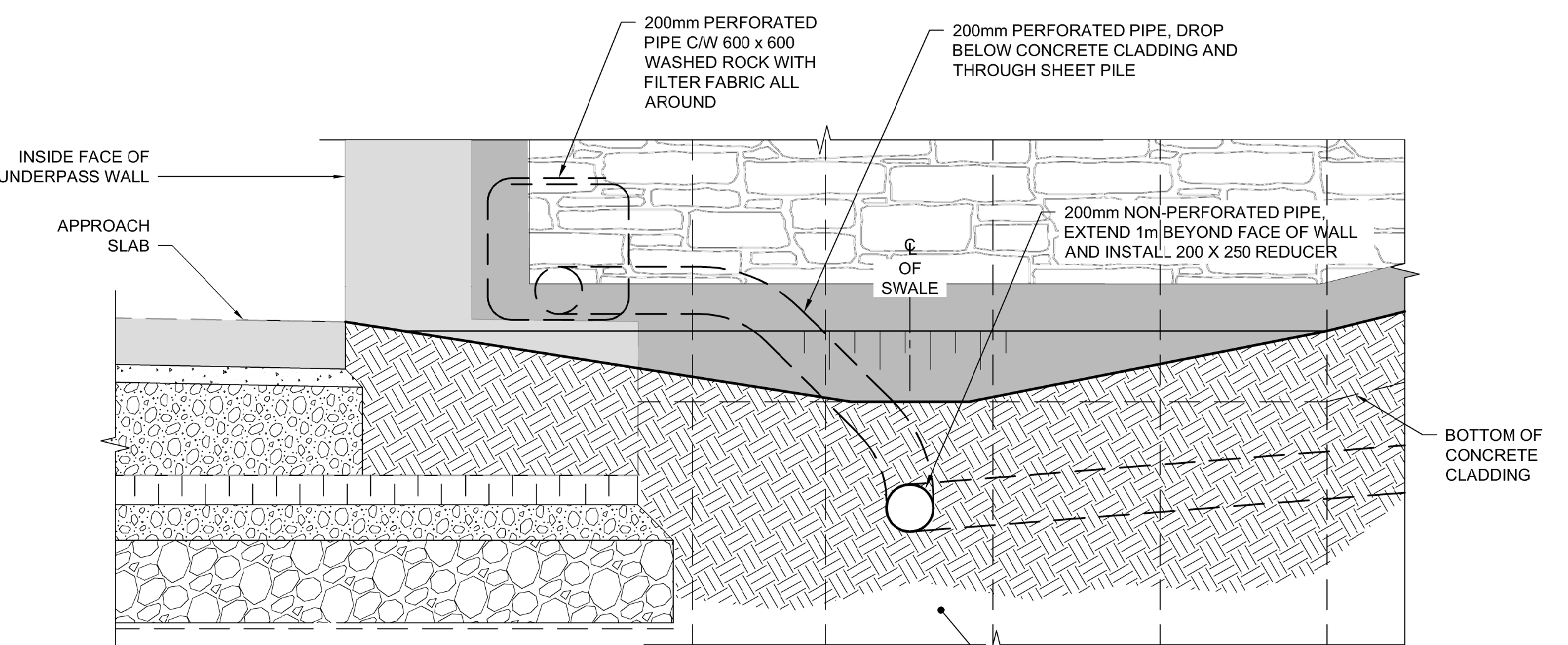
- LOCATION DESCRIPTION:**
- INSIDE FACE OF EAST PEDESTRIAN UNDERPASS WALL (TOP CORNER AT SOUTH END)
  - INSIDE FACE OF WEST PEDESTRIAN UNDERPASS WALL (TOP CORNER AT NORTH END)



**LOCATION OF DATE STAMP**  
1:10



**DETAILS OF DATE FIGURES**  
1:10



**1 ELEVATION**  
1:20



NO.	REVISIONS	DATE	BY	DATE
0	ISSUED FOR TENDER	18/02/09	DRA	

<b>DILLON CONSULTING</b>	
DESIGNED BY: DRA	CHECKED BY: SSR
DRAWN BY: CGC	APPROVED BY: MBL
HOR. SCALE: AS SHOWN	RELEASED FOR CONSTRUCTION
VERTICAL: AS SHOWN	
DATE: 2018/02/09	DATE:

ENGINEER'S SEAL  
PROVINCE OF MANITOBA  
**D.R.C. AMORIM**  
Member 33215  
REGISTERED PROFESSIONAL ENGINEER  
CONSULTANT PROJECT NUMBER  
**17-5932**

**THE CITY OF WINNIPEG**  
PUBLIC WORKS DEPARTMENT  
**Winnipeg**  
**FERMOR AVENUE BRIDGE OVER SEINE RIVER**  
BRIDGE RE-HABILITATION, PEDESTRIAN-CYCLIST UNDERPASS STRUCTURE AND ROADWORKS FROM ST. ANNE'S ROAD TO ARCHIBALD STREET  
CITY DRAWING NUMBER: U-243-2017-CS-071  
SHEET 071 OF 100  
CONSULTANT DRAWING NUMBER: CS-071  
**PEDESTRIAN-CYCLIST UNDERPASS**  
CONCRETE DETAILS 3 OF 3

G:\CAD\175932\Drawings\Structural\Underpass\CON-CS-CO-CONC-DETAILS\_3.dwg