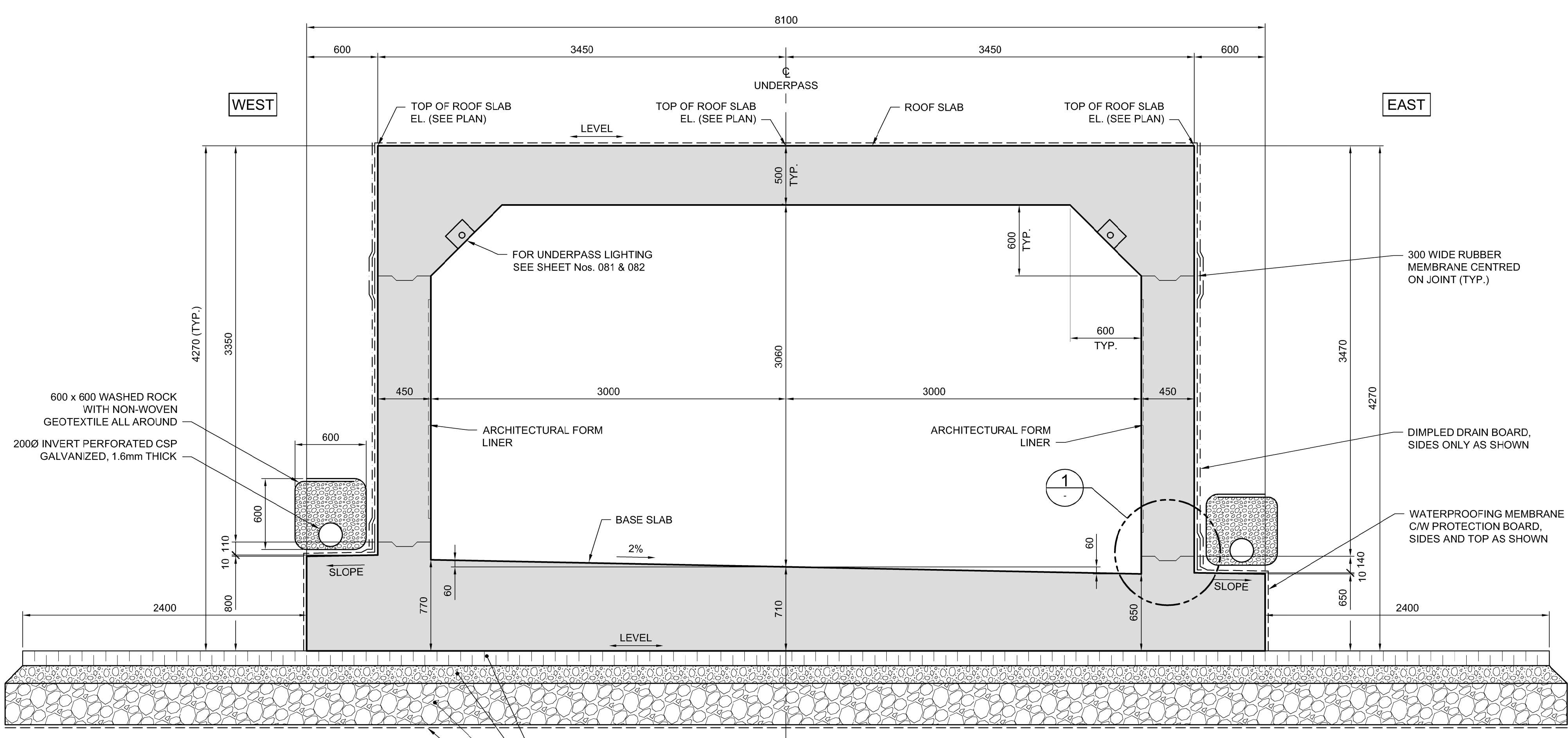
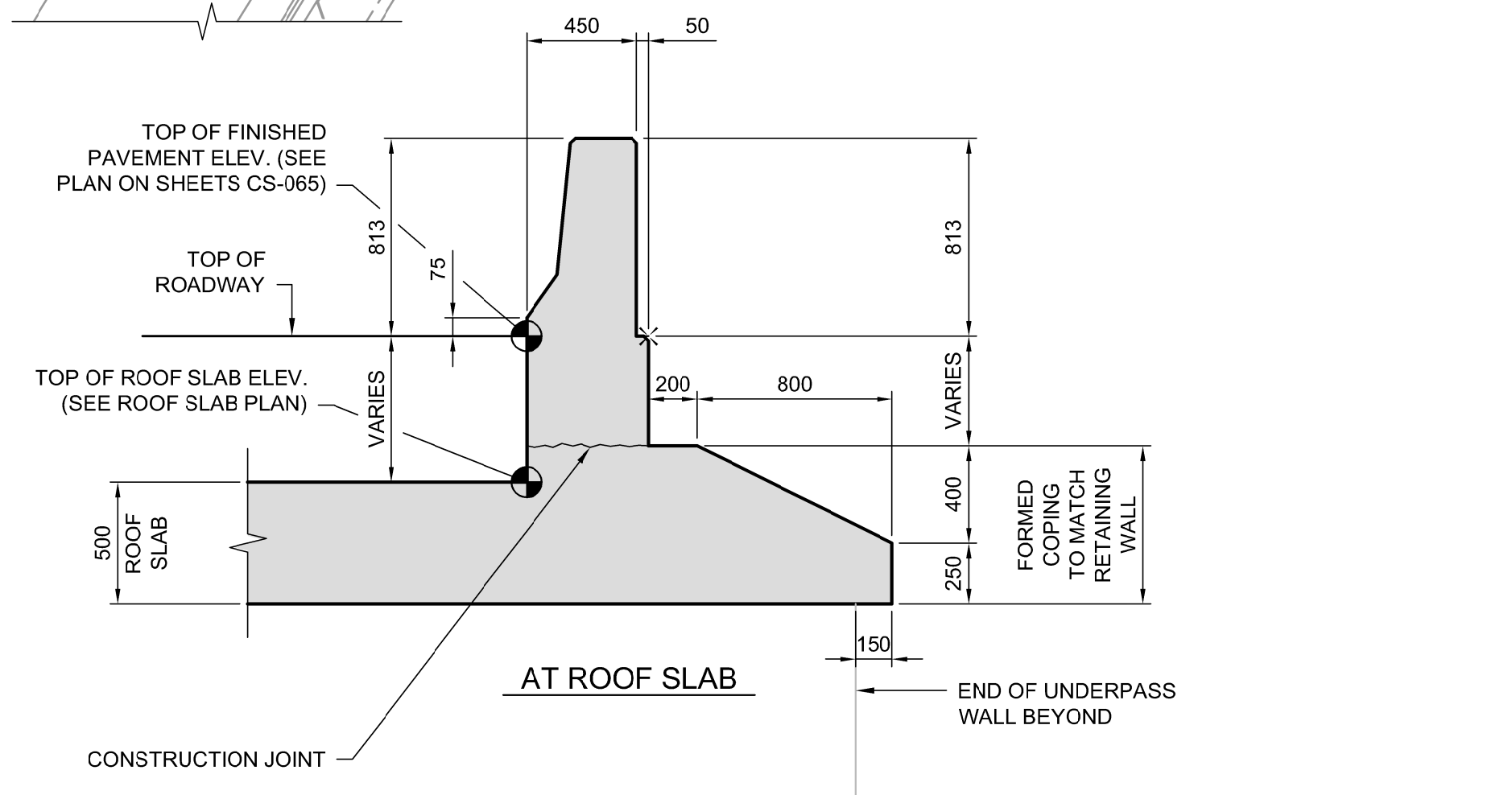


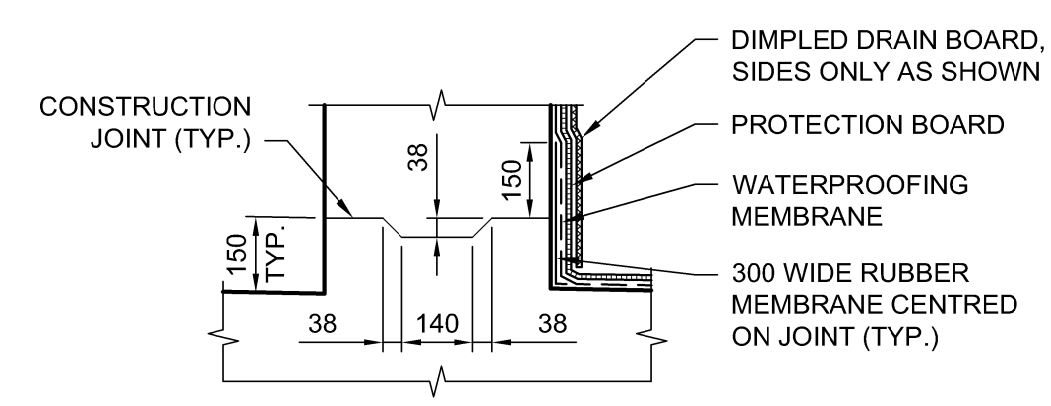
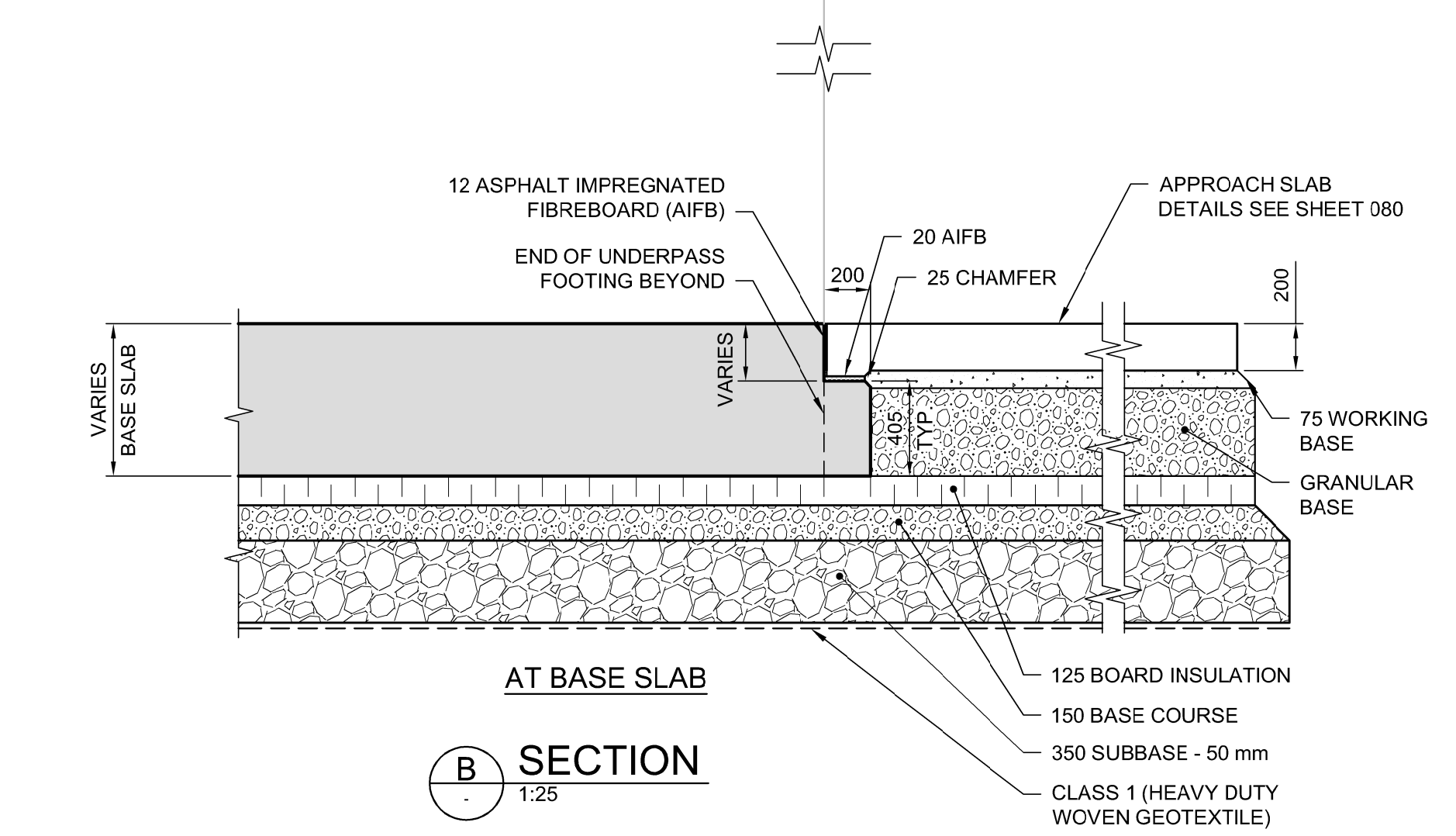
ROOF SLAB PLAN
1:75



A SECTION
1:25



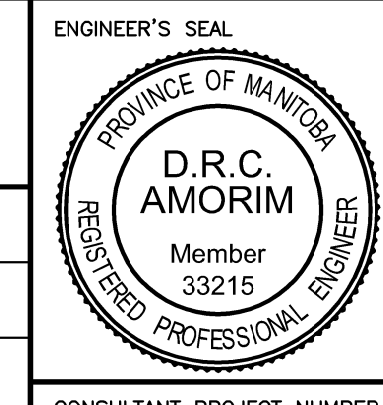
B SECTION
1:25



1 DETAIL
1:15

APEGM
Certificate of Authorization
Dillon Consulting Limited (MB)
No. 1789 Date: 2018/02/09

DESIGNED BY DRA		CHECKED BY SSR	
APPROVED BY MBL		RELEASED FOR CONSTRUCTION	
HOR. SCALE AS SHOWN		VERTICAL AS SHOWN	
ISSUED FOR TENDER 18/02/09 DRA		DATE 2018/02/09 DATE	
NO. REVISIONS			



THE CITY OF WINNIPEG
PUBLIC WORKS DEPARTMENT

FERMOR AVENUE BRIDGE OVER SEINE RIVER
BRIDGE RE-ABILITATION, PEDESTRIAN-CYCLIST UNDERPASS STRUCTURE AND ROADWORKS FROM ST. ANNE'S ROAD TO ARCHIBALD STREET

CITY DRAWING NUMBER U-243-2017-CS-069
SHEET 069 OF 100
CONSULTANT DRAWING NUMBER CS-069

PEDESTRIAN-CYCLIST UNDERPASS
CONCRETE DETAILS 1 OF 3

G:\CAD\175932\Drawings\Structural\Underpass\CON-CS-CONC-DETAILS_1.dwg