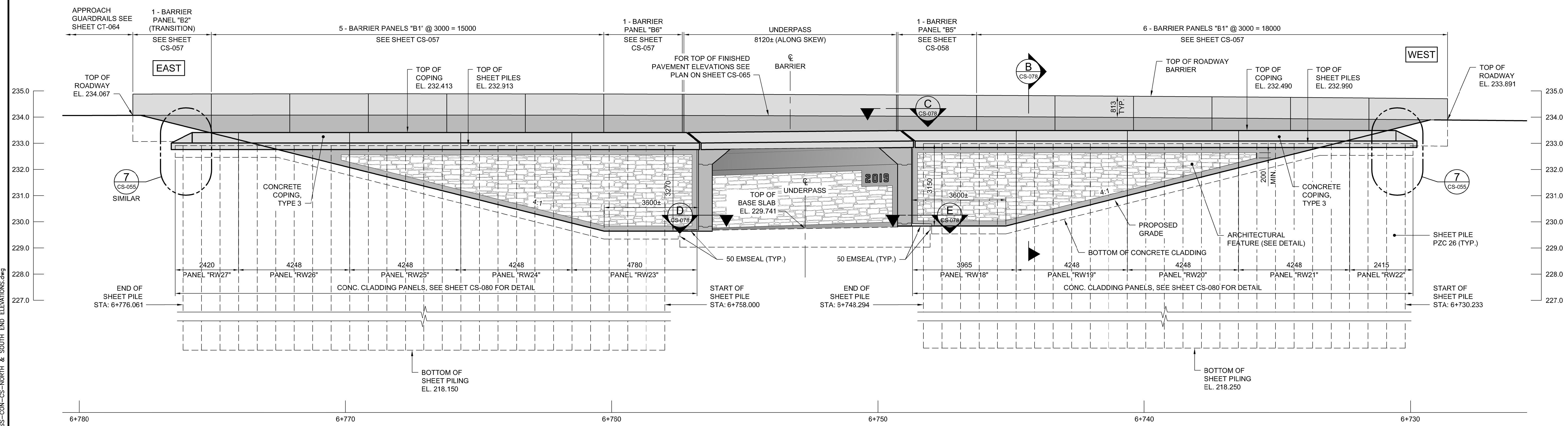
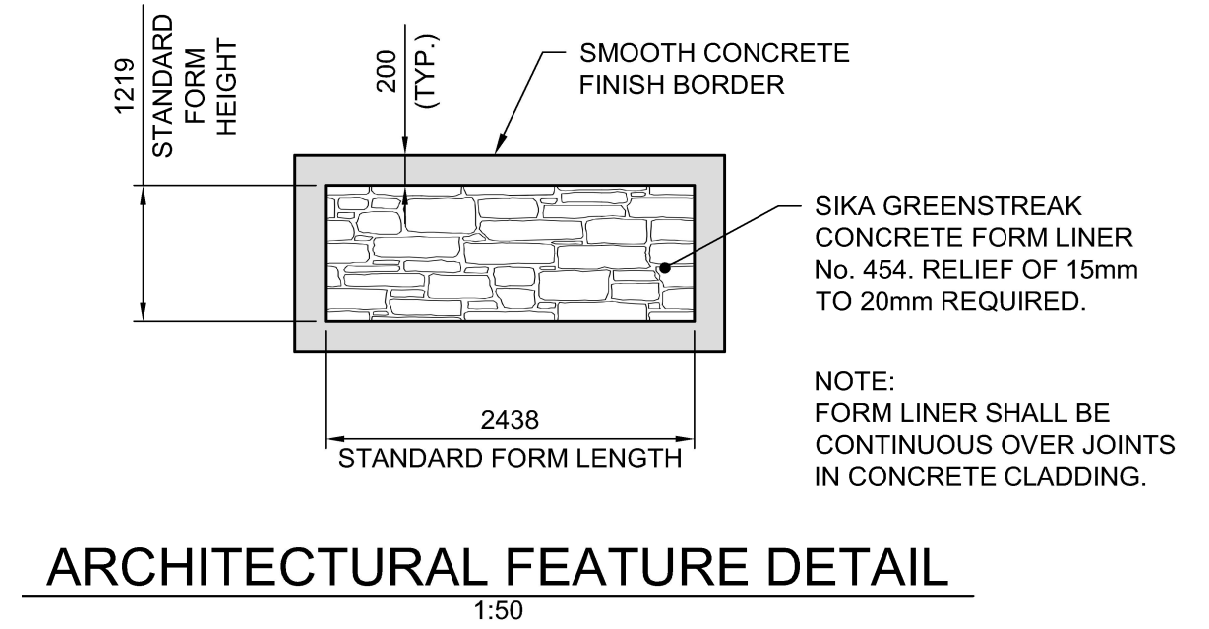


**SOUTH ELEVATION**  
1:75



**NORTH ELEVATION**  
1:75



**APEGM**  
Certificate of Authorization  
Dillon Consulting Limited (MB)  
No. 1789 Date: 2018/02/09

DESIGNED BY	DRA	CHECKED BY	SSR
DRAWN BY	CGC	APPROVED BY	MBL
HOR. SCALE	AS SHOWN	RELEASED FOR CONSTRUCTION	
VERTICAL	AS SHOWN		
ISSUED FOR TENDER	18/02/09	DRA	
NO. REVISIONS	DATE	BY	DATE
0	2018/02/09	DRA	

**DILLON CONSULTING**

ENGINEER'S SEAL  
PROVINCE OF MANITOBA  
**D.R.C. AMORIM**  
Member 33215  
REGISTERED PROFESSIONAL ENGINEER

CONSULTANT PROJECT NUMBER  
**17-5932**

**THE CITY OF WINNIPEG**  
PUBLIC WORKS DEPARTMENT

**FERMOR AVENUE BRIDGE OVER SEINE RIVER**  
BRIDGE RE-HABILITATION, PEDESTRIAN-CYCLIST UNDERPASS STRUCTURE AND ROADWORKS FROM ST. ANNE'S ROAD TO ARCHIBALD STREET

CITY DRAWING NUMBER  
U-243-2017-CS-068

SHEET 068 OF 100

CONSULTANT DRAWING NUMBER  
CS-068

**PEDESTRIAN-CYCLIST UNDERPASS ELEVATIONS**

G:\CAD\175932\Drawings\Structural\Underpass\175932-UNDERPASS-CON-CS-NORTH & SOUTH END ELEVATIONS.dwg