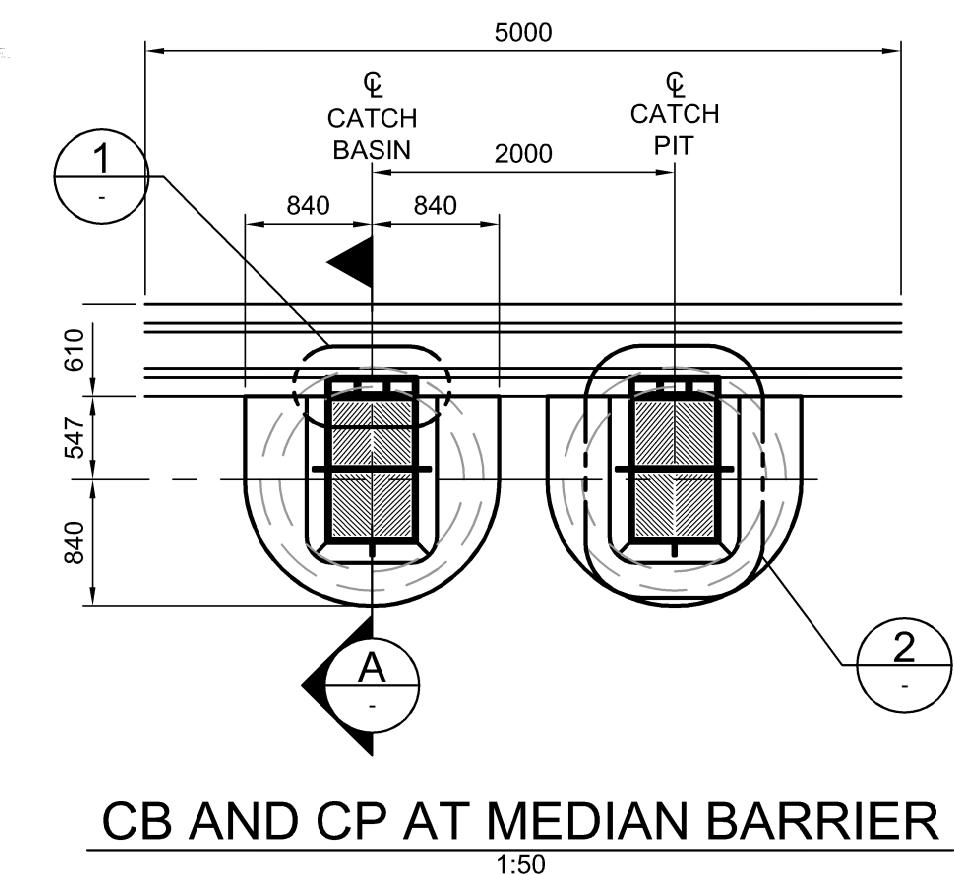
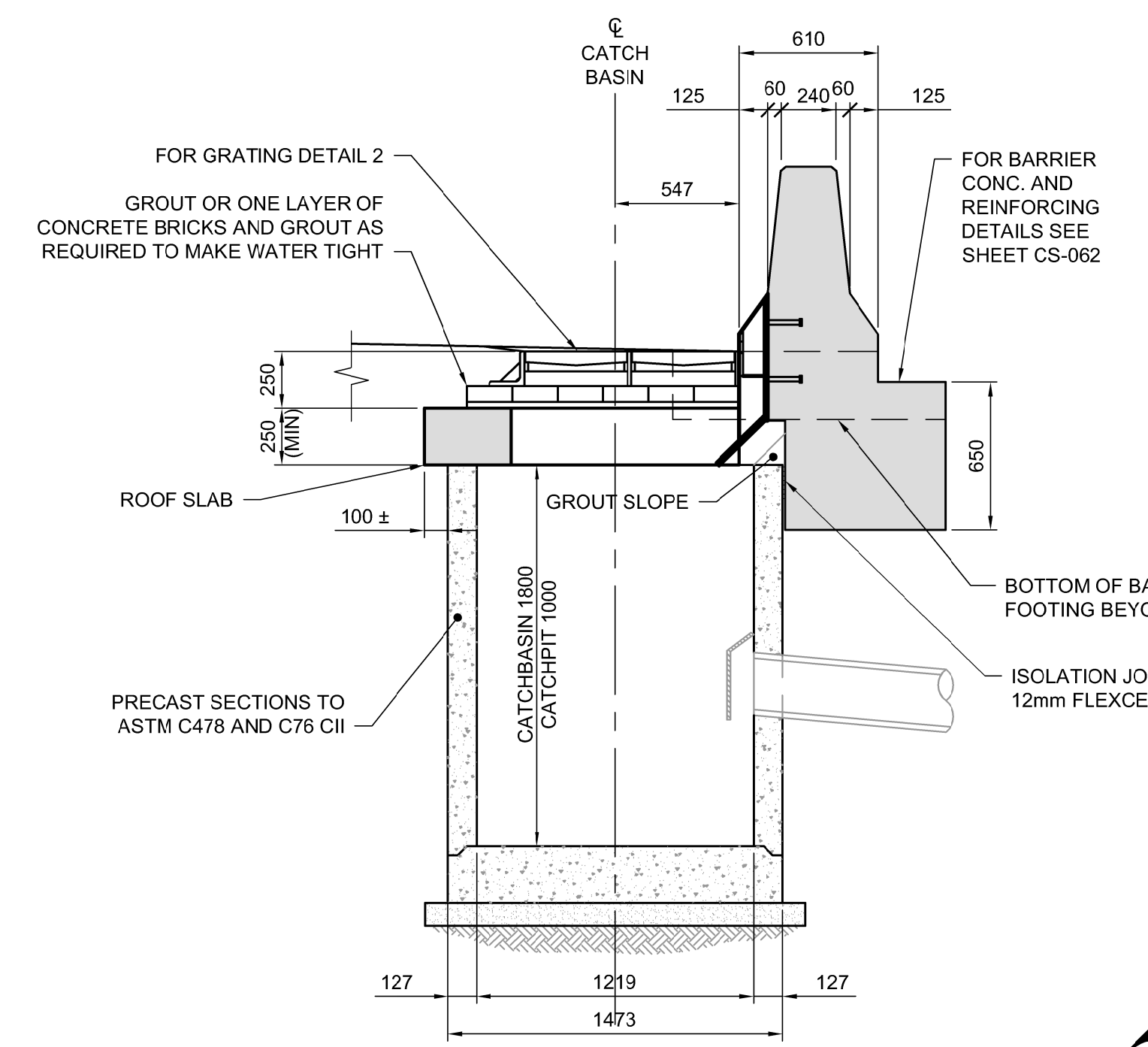


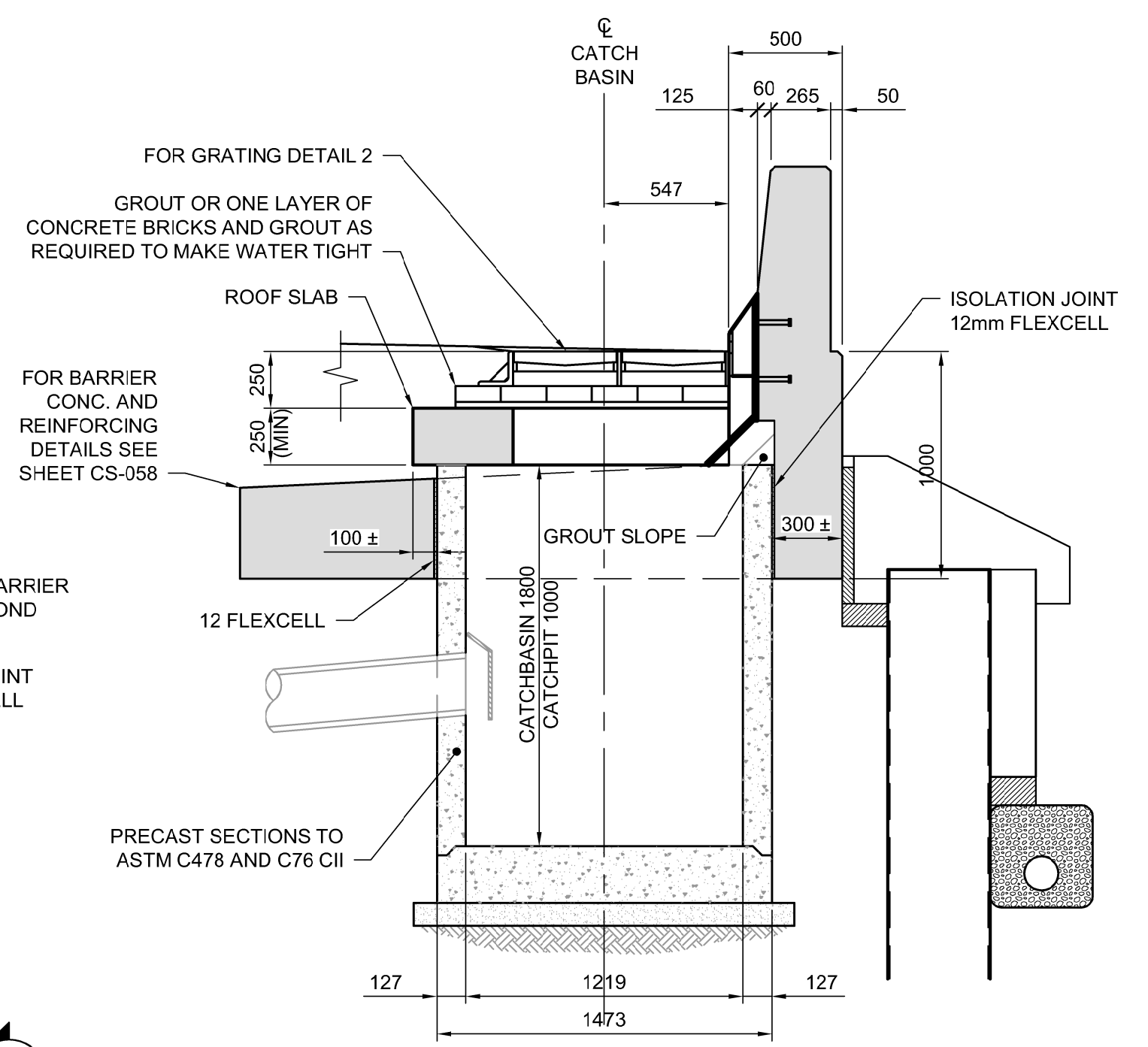
CB AND CP AT BARRIER WITH MOMENT SLAB



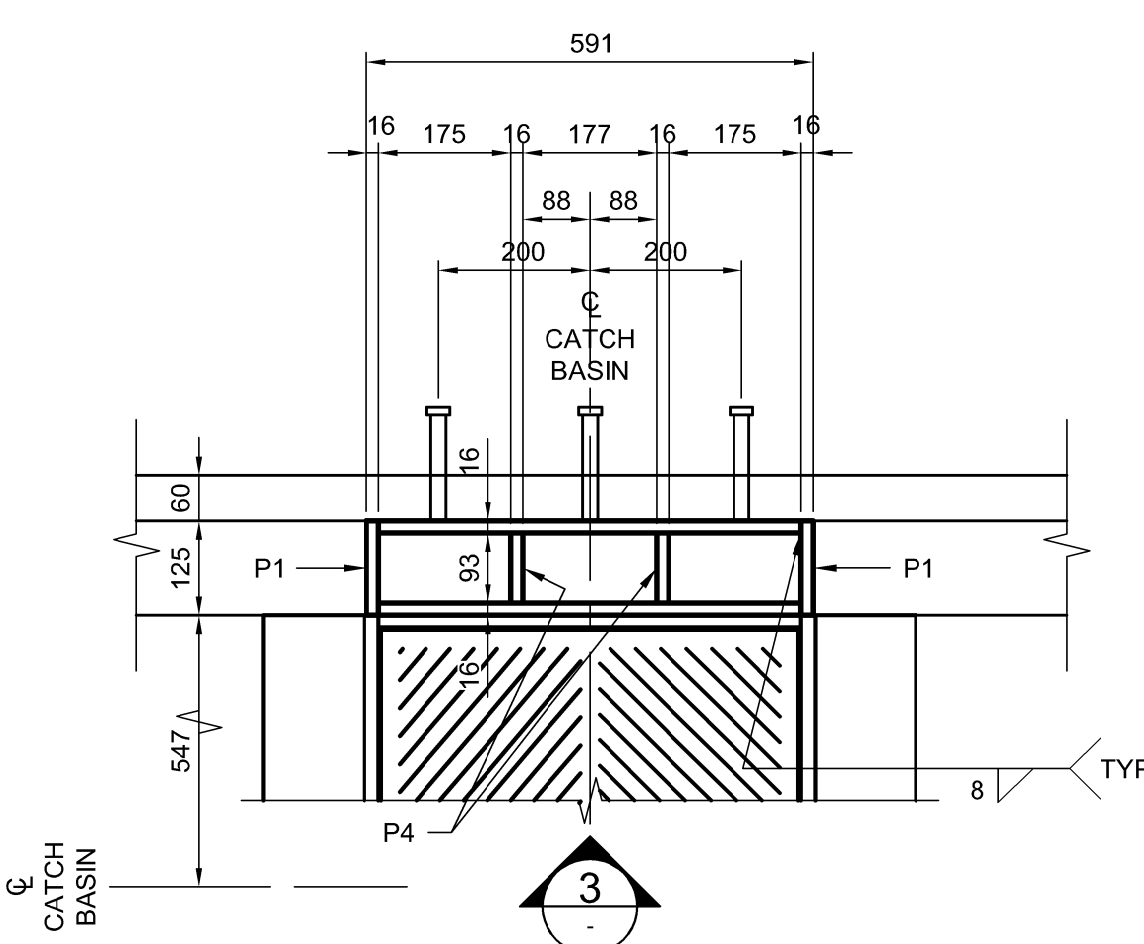
CB AND CP AT MEDIAN BARRIER



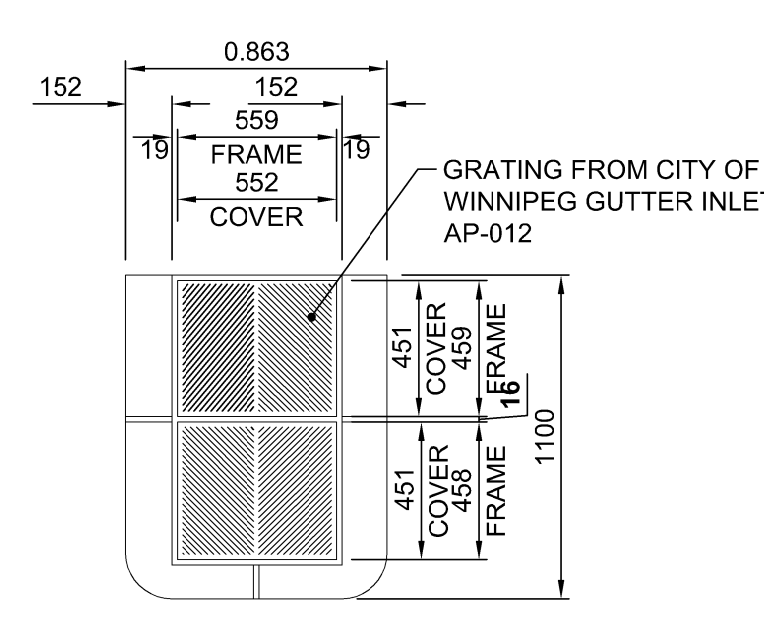
SECTION A-A 1:25



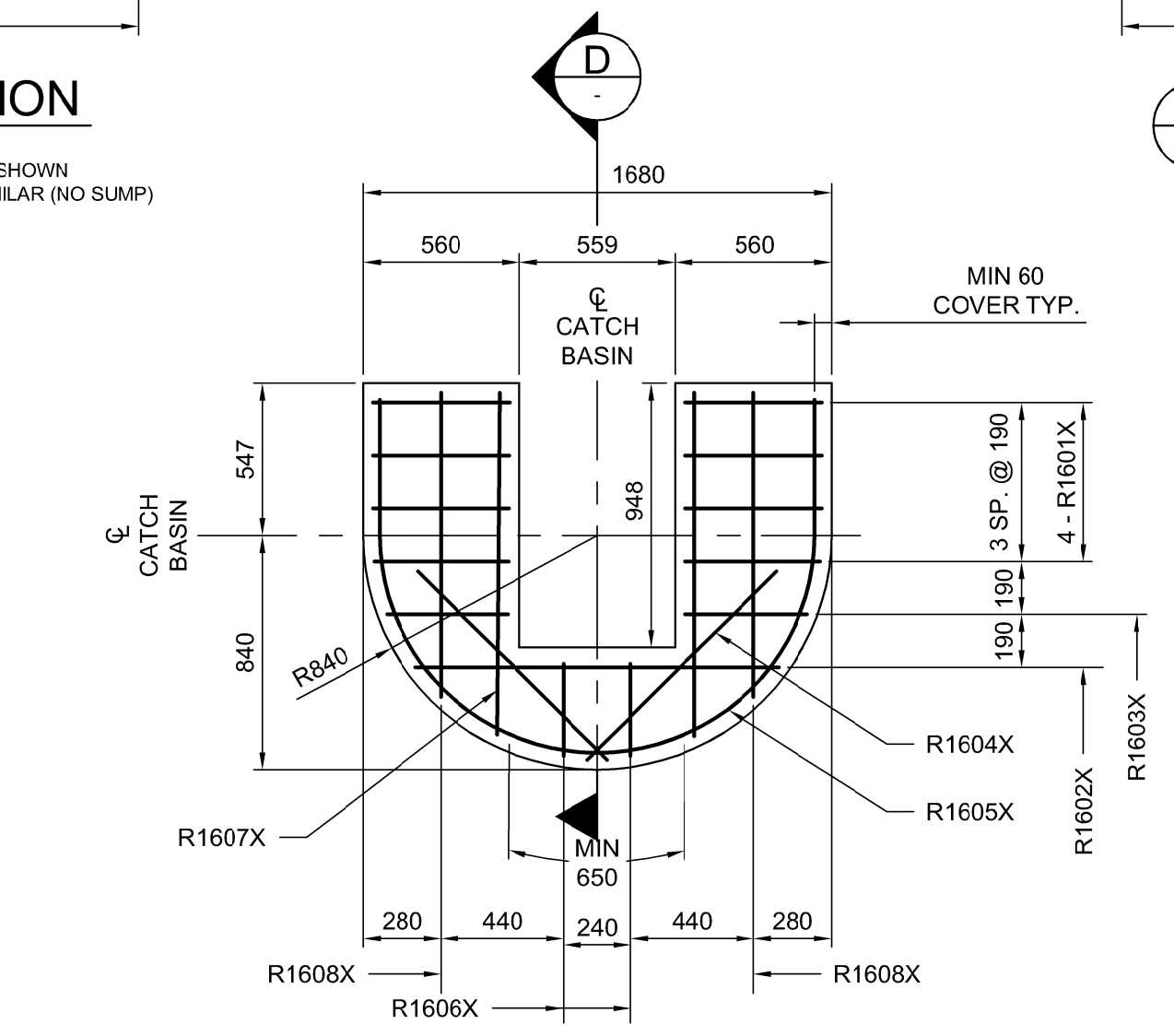
SECTION B-B 1:25



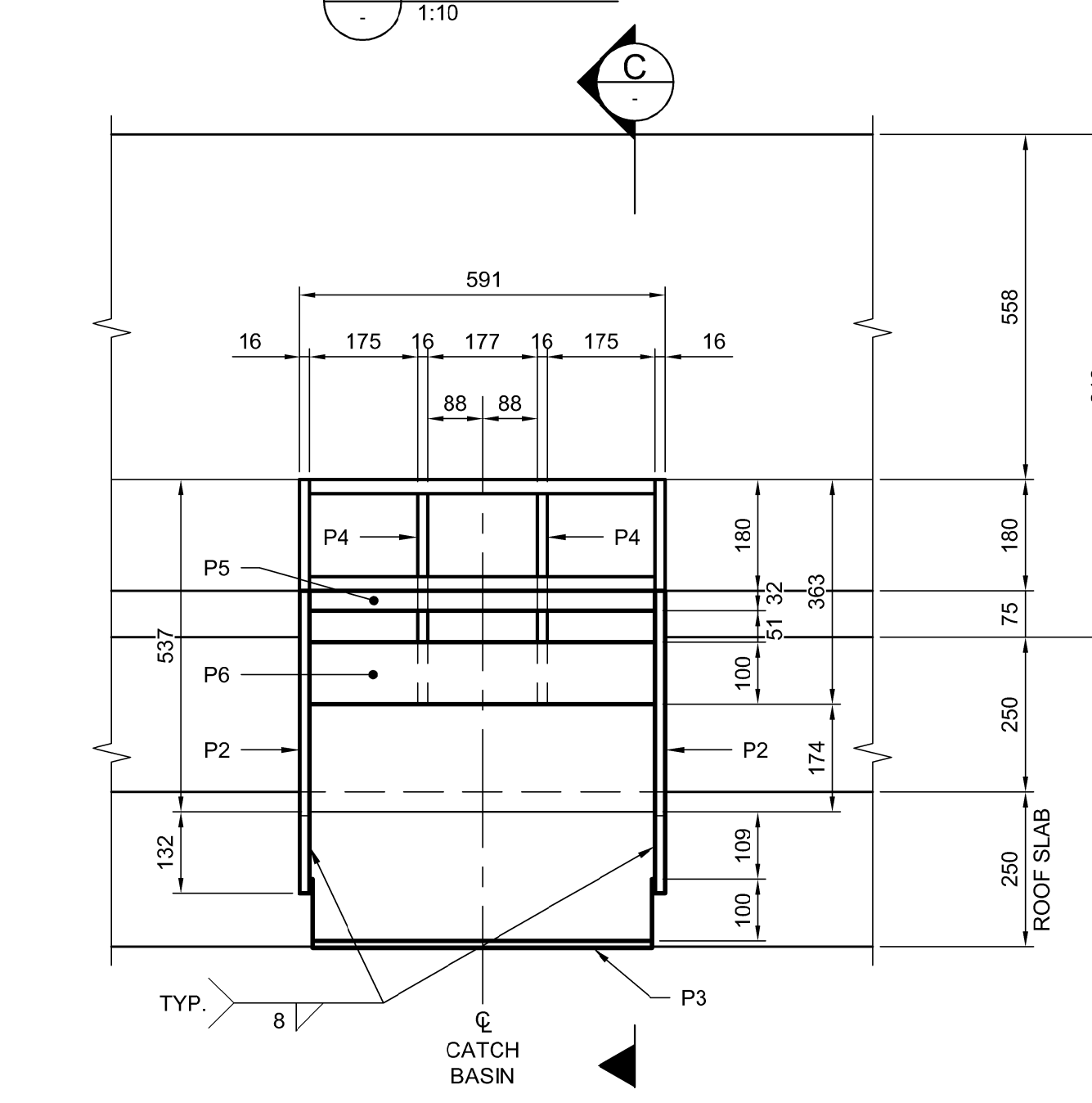
DETAIL 1-1 1:10



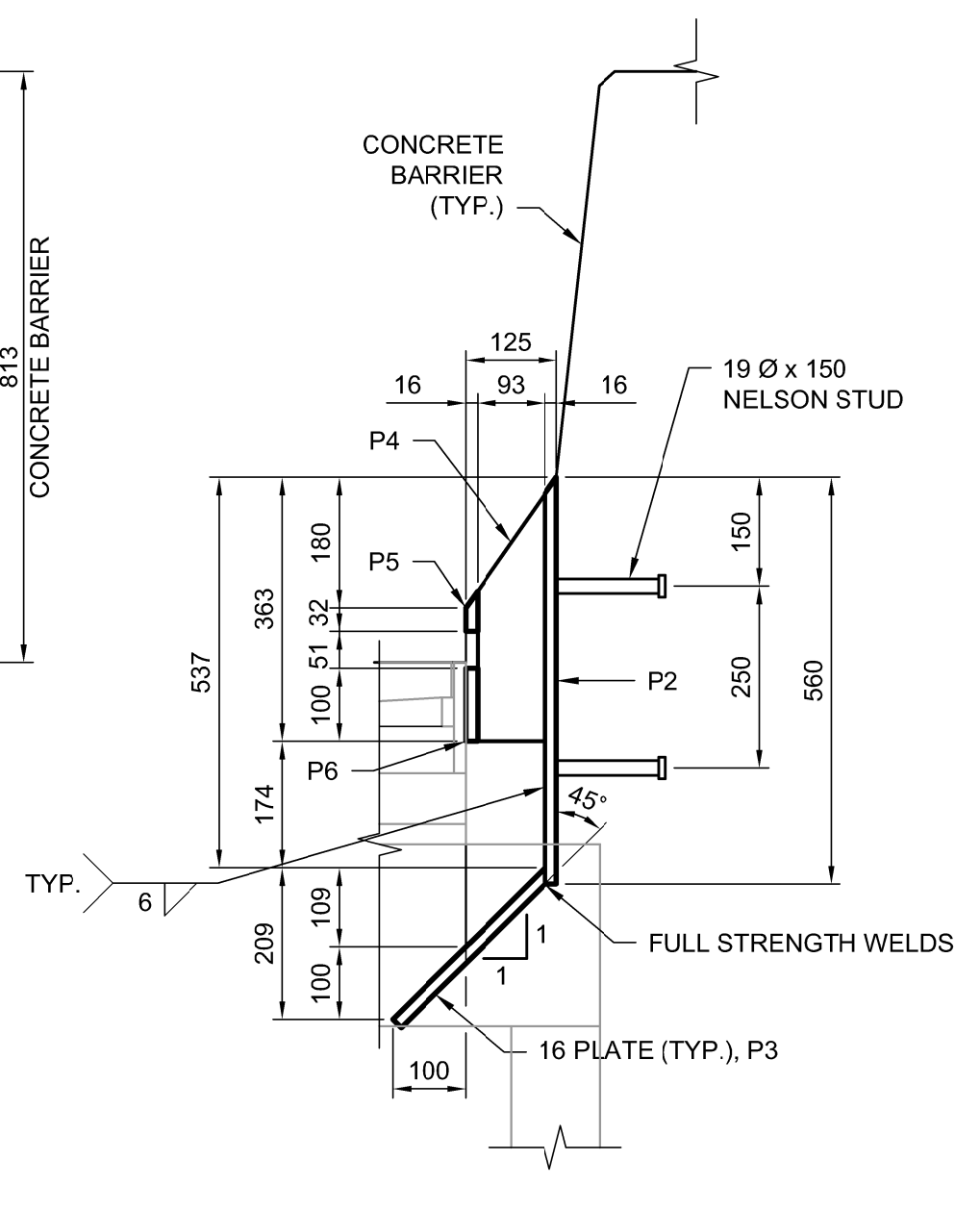
DETAIL 2-2 1:25



ROOF SLAB REINFORCING PLAN (10 REQUIRED)



ELEVATION 1-10



SECTION C-C 1:10

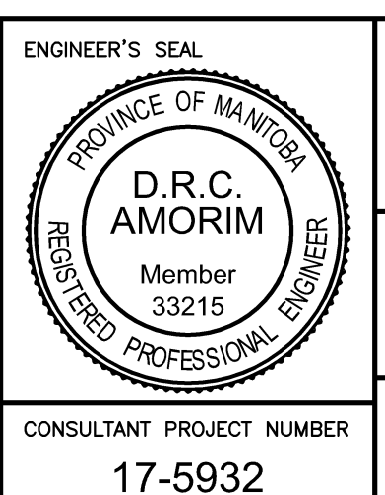
BILL OF MISCELLANEOUS METAL FOR BARRIER INLETS					
MARK	No.	DESCRIPTION	COMPONENT MASS (kg)	MASS PER UNIT (kg)	TOTAL MASS (kg)
BU.1	10	BARRIER INLET UNIT			1029.00
EACH UNIT TO BE FABRICATED FROM:					
		2 - P1 (AS DETAILED)	8.78	17.56	
		1 - P2 (AS DETAILED)	47.05	47.05	
		1 - P3 (AS DETAILED)	20.78	20.78	
		2 - P4 (AS DETAILED)	3.19	6.38	
		1 - P5 (AS DETAILED)	2.25	2.25	
		1 - P6 (AS DETAILED)	7.02	7.02	
		6 - 19Ø x 150 LG NELSON STUD	0.31	1.86	
					TOTAL MASS (kg) 1029.00

NOTE: ALL MATERIAL IN THE ABOVE BILL OF MISCELLANEOUS METAL SHALL BE GALVANIZED IN ACCORDANCE WITH ASTM A123 TO A NET RETENTION OF 610g/m² UNLESS NOTED OTHERWISE.

BARRIER INLET UNIT MK. "BU.1" (10 REQUIRED)



DESIGNED BY: DRA		CHECKED BY: SSR	
DRAWN BY: CGC		APPROVED BY: MBL	
HOR. SCALE: AS SHOWN		RELEASED FOR CONSTRUCTION	
VERTICAL: AS SHOWN		DATE: 2018/02/09	
ISSUED FOR TENDER	18/02/09	DRA	
NO. REVISIONS	DATE	BY	DATE



THE CITY OF WINNIPEG PUBLIC WORKS DEPARTMENT

Winnipeg

FERMOR AVENUE BRIDGE OVER SEINE RIVER
BRIDGE RE-HABILITATION, PEDESTRIAN-CYCLIST UNDERPASS STRUCTURE AND ROADWORKS FROM ST. ANNE'S ROAD TO ARCHIBALD STREET

CITY DRAWING NUMBER: U-243-2017-CS-064
SHEET 064 OF 100
CONSULTANT DRAWING NUMBER: CS-064

CONSULTANT PROJECT NUMBER: 17-5932

G:\CAD\175932\Drawings\Structural\BRIDGE-CON-CS-RETAINING WALL DETAILS_3.dwg