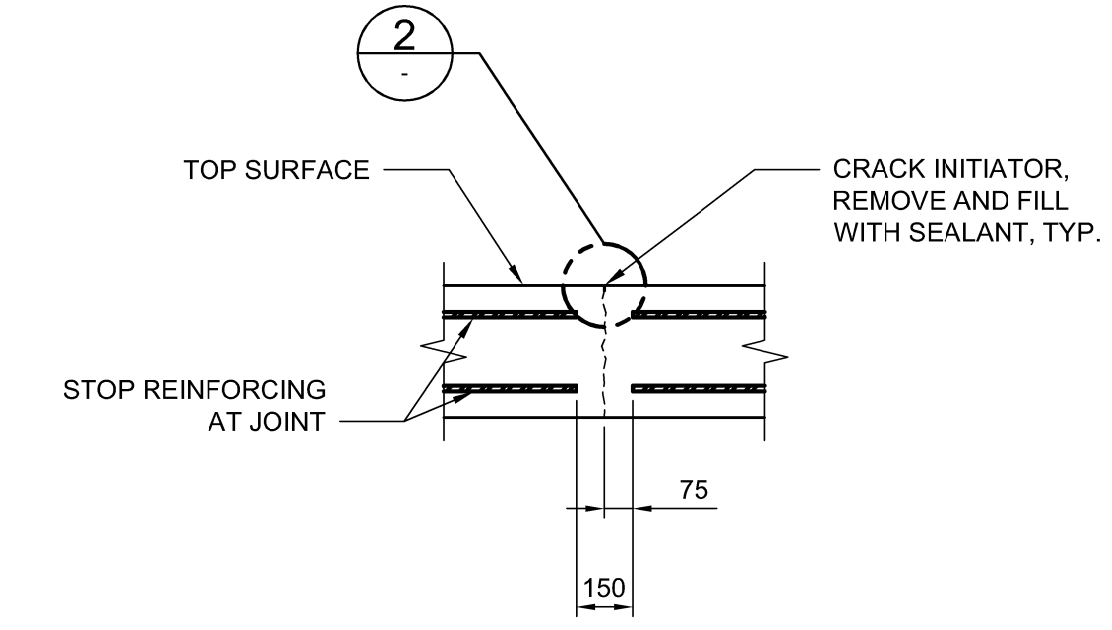
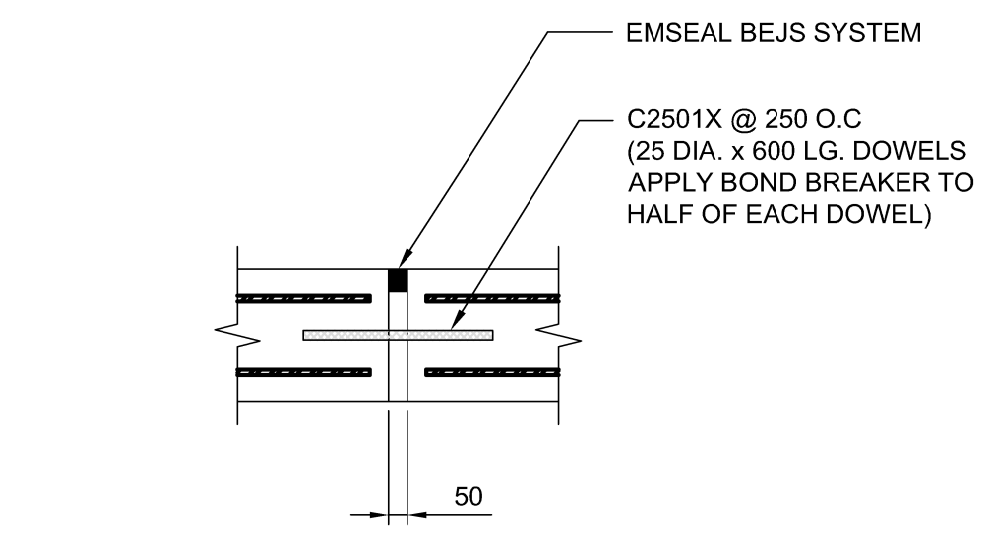


RETAINING WALL CLADDING - CONTROL JOINTS
1:20



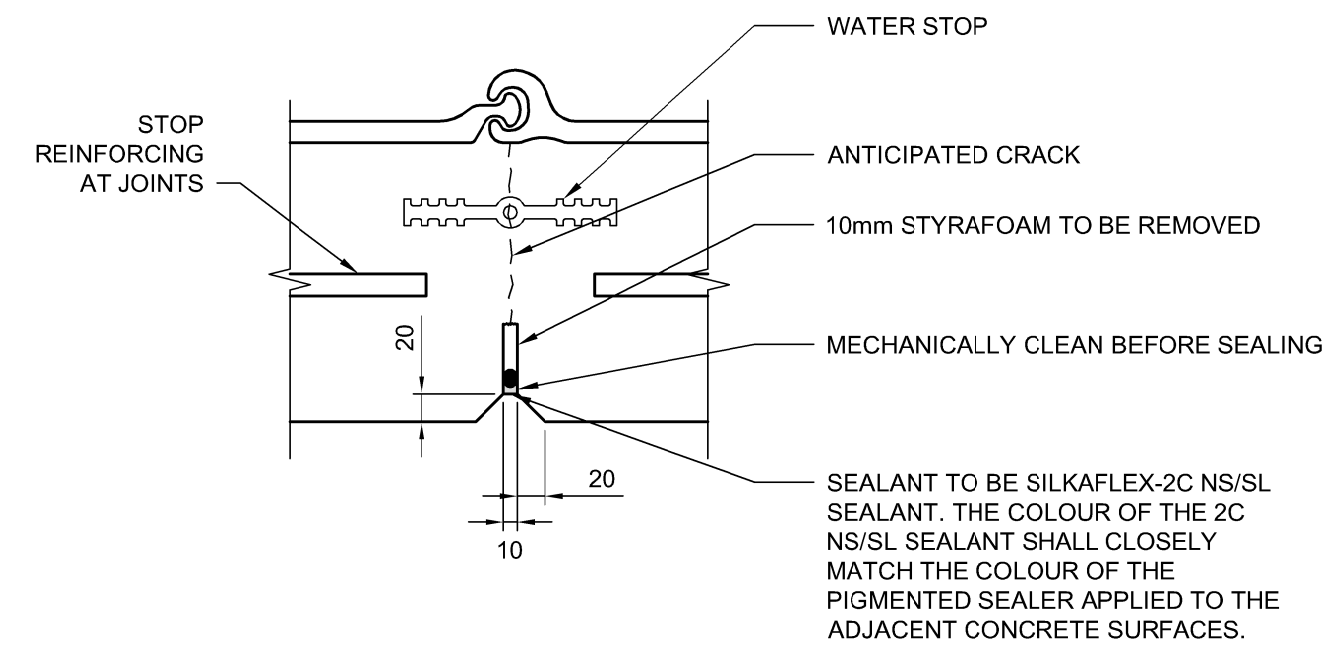
COPING - CONTROL JOINT
1:20

SPACED AT 4.248 METRES O.C.
(TO MATCH JOINTS IN RETAINING WALL CONCRETE CLADDING)



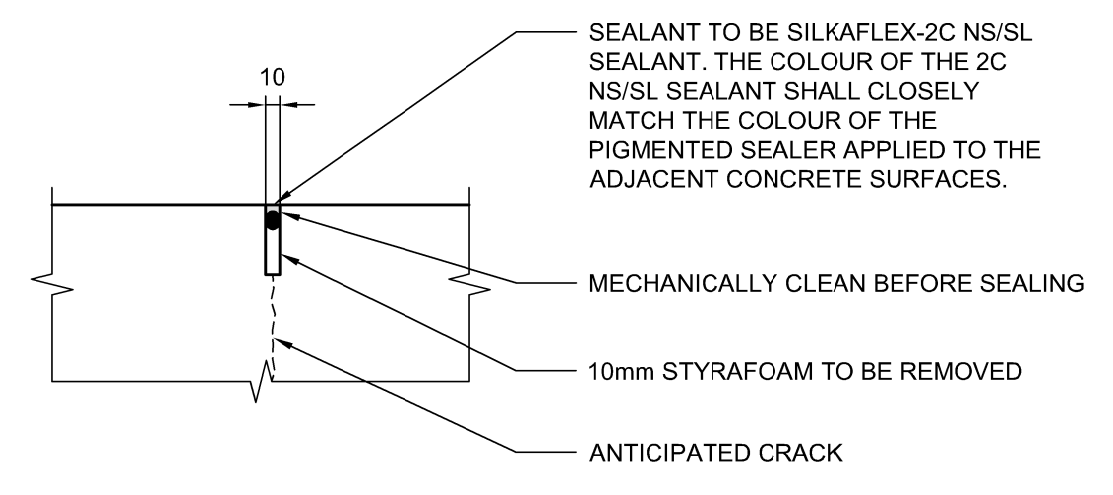
COPING - EXPANSION JOINTS
1:20

SPACED AT MAX 42.48 METRES O.C.



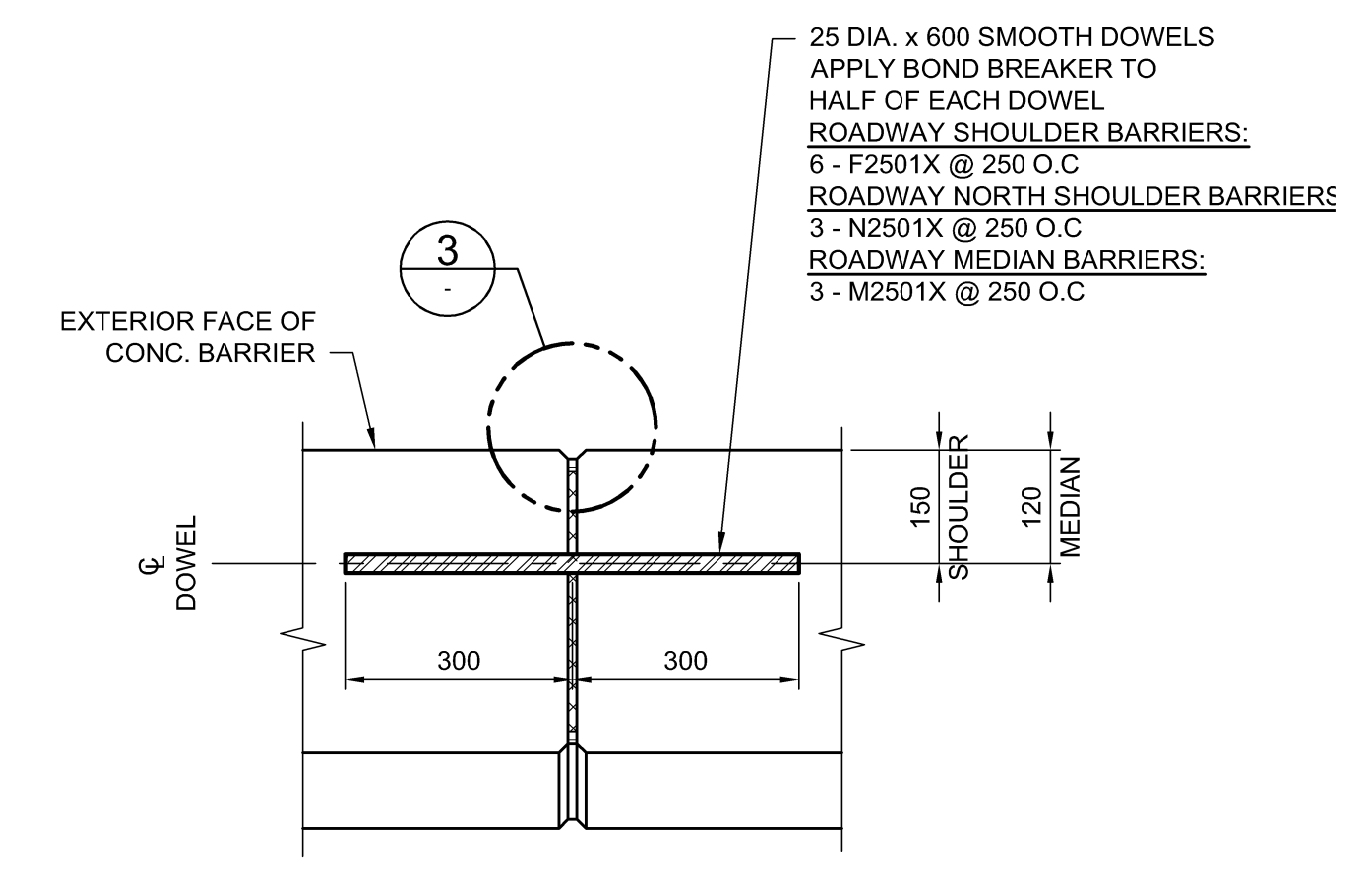
DETAIL - CONCRETE CLADDING
1:5

SPACED AT 4.248 METRES O.C.



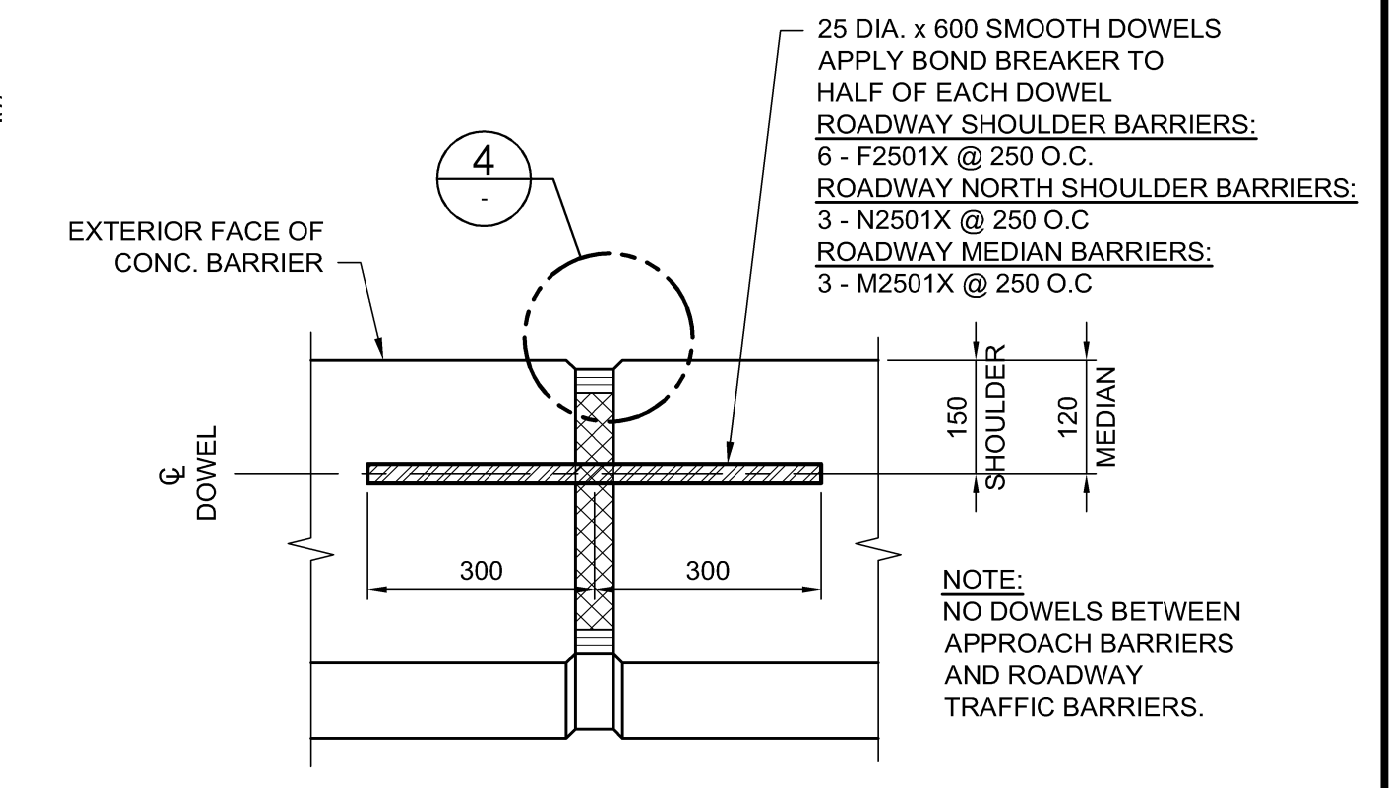
DETAIL - CONCRETE COPING
1:5

SPACED AT 4.248 METRES O.C.



BARRIER - CONSTRUCTION JOINT
1:10

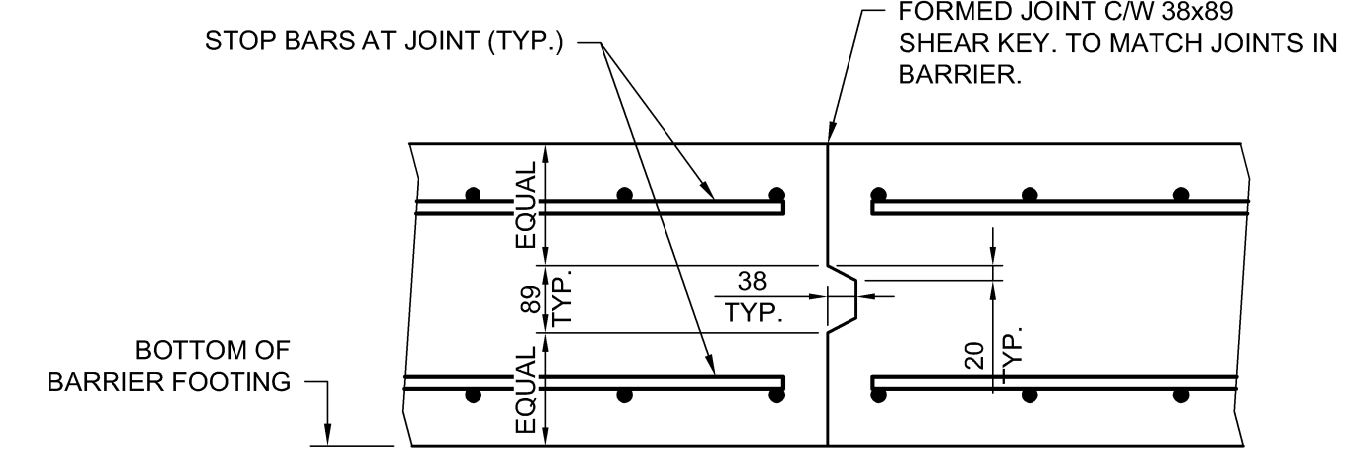
SPACED AT 3.0 METRES O.C.



BARRIER - EXPANSION JOINT
1:10

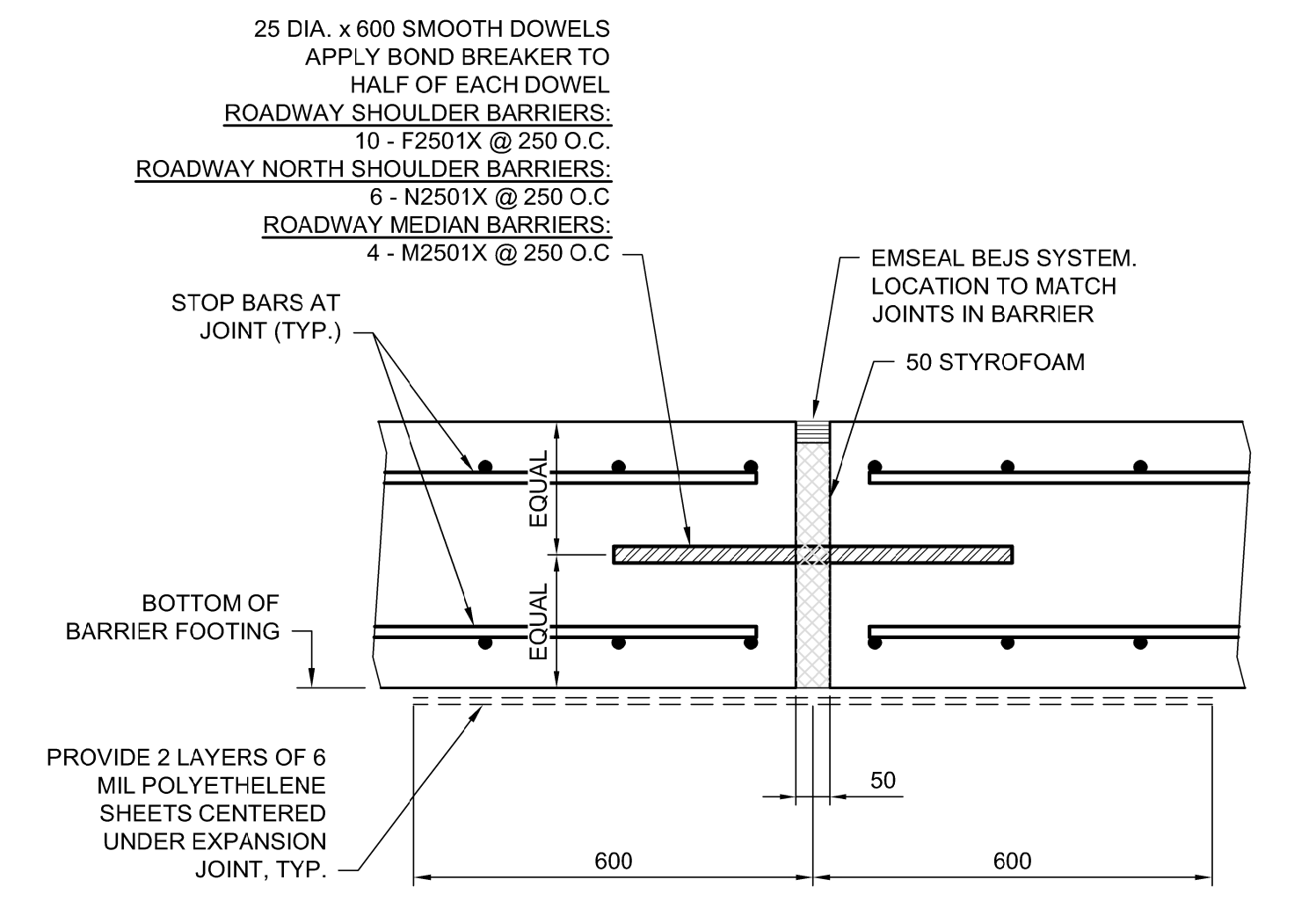
SPACED AT 45.0 METRES O.C.

NOTE: NO DOWELS BETWEEN APPROACH BARRIERS AND ROADWAY TRAFFIC BARRIERS.



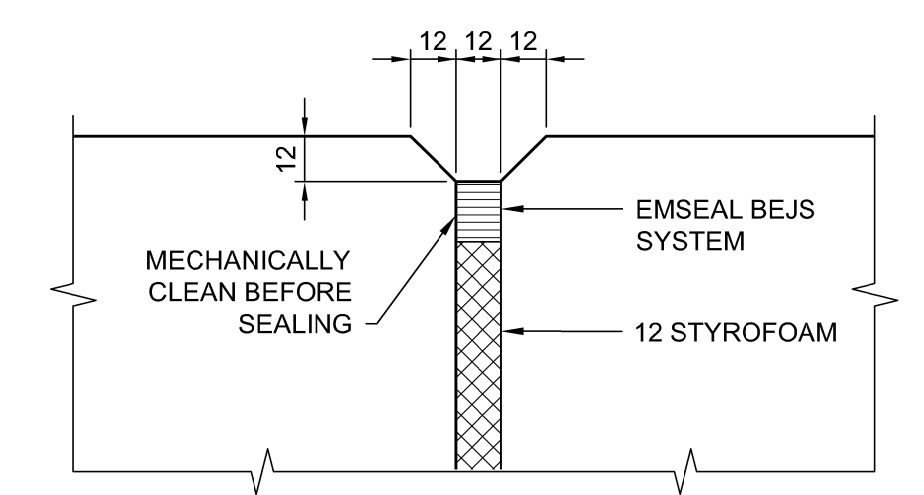
BARRIER FOOTING - FORMED JOINT
1:10

SPACED AT 3.0 METRES O.C.

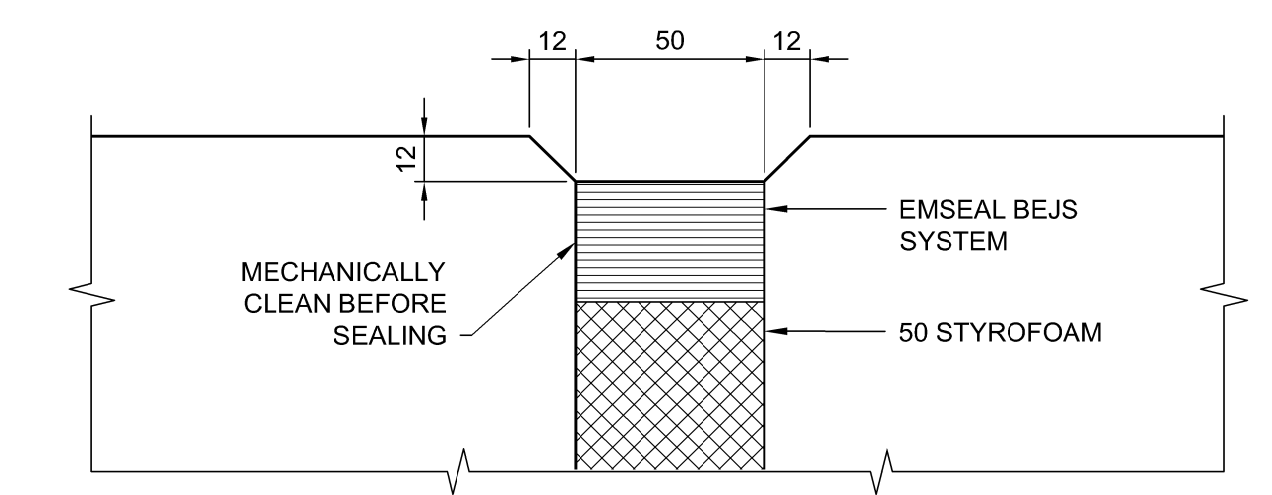


BARRIER FOOTING - EXPANSION JOINT
1:10

SPACED AT 45.0 METRES O.C.



DETAIL
1:2



DETAIL
1:2

G:\CAD\175932\Drawings\Structural\Bridges\CON-CS-RETAINING WALL JOINT DETAILS.dwg

APEGM
Certificate of Authorization
Dillon Consulting Limited (MB)
No. 1789 Date: 2018/02/09

DESIGNED BY	DRA	CHECKED BY	SSR
DRAWN BY	CGC	APPROVED BY	MBL
HOR. SCALE	AS SHOWN	RELEASED FOR CONSTRUCTION	
VERTICAL	AS SHOWN		
NO.	REVISIONS	DATE	BY
0	ISSUED FOR TENDER	18/02/09	DRA
		2018/02/09	

ENGINEER'S SEAL
PROVINCE OF MANITOBA
D.R.C. AMORIM
Member 33215
REGISTERED PROFESSIONAL ENGINEER
CONSULTANT PROJECT NUMBER
17-5932

THE CITY OF WINNIPEG
PUBLIC WORKS DEPARTMENT
Winnipeg
FERMOR AVENUE BRIDGE OVER SEINE RIVER
BRIDGE RE-ABILITATION, PEDESTRIAN-CYCLIST UNDERPASS STRUCTURE AND ROADWORKS FROM ST. ANNE'S ROAD TO ARCHIBALD STREET
CITY DRAWING NUMBER
B-118-2017-CS-063
SHEET 063 OF 100
CONSULTANT DRAWING NUMBER
CS-063