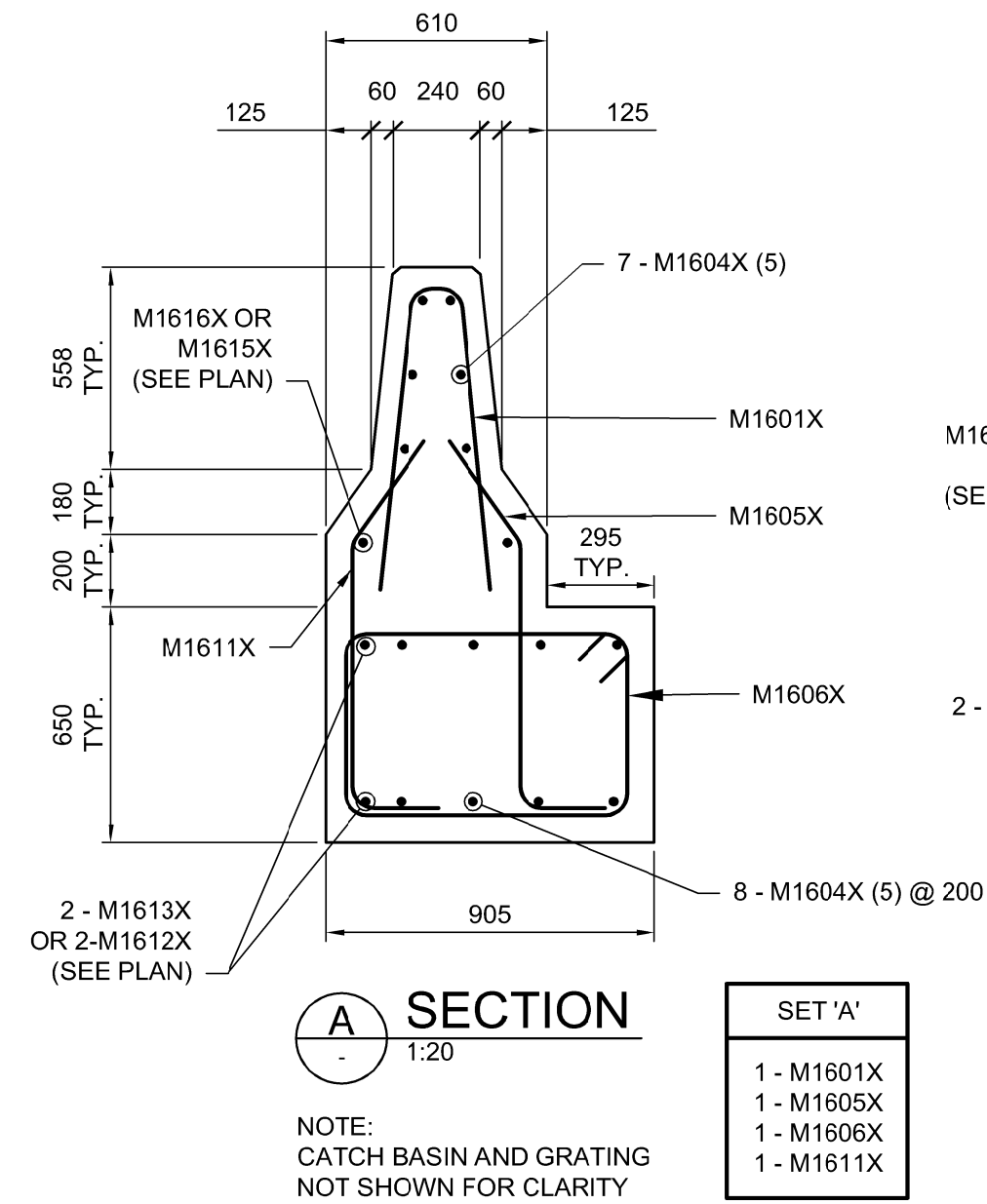


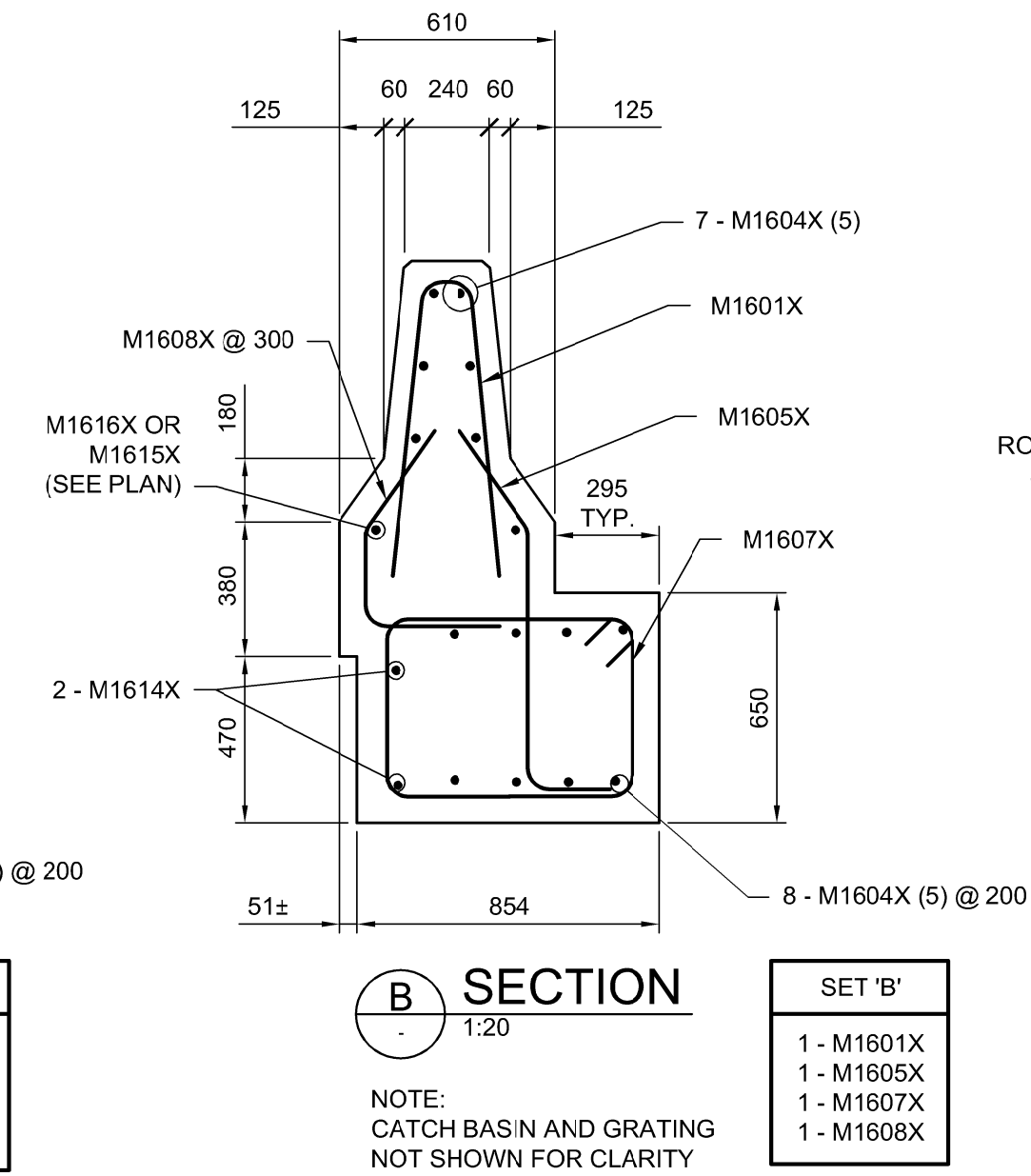
**PANEL 'B6M' (2 REQUIRED)**  
1:20



**SECTION A**  
1:20

- SET 'A'**
- 1 - M1601X
  - 1 - M1605X
  - 1 - M1606X
  - 1 - M1611X

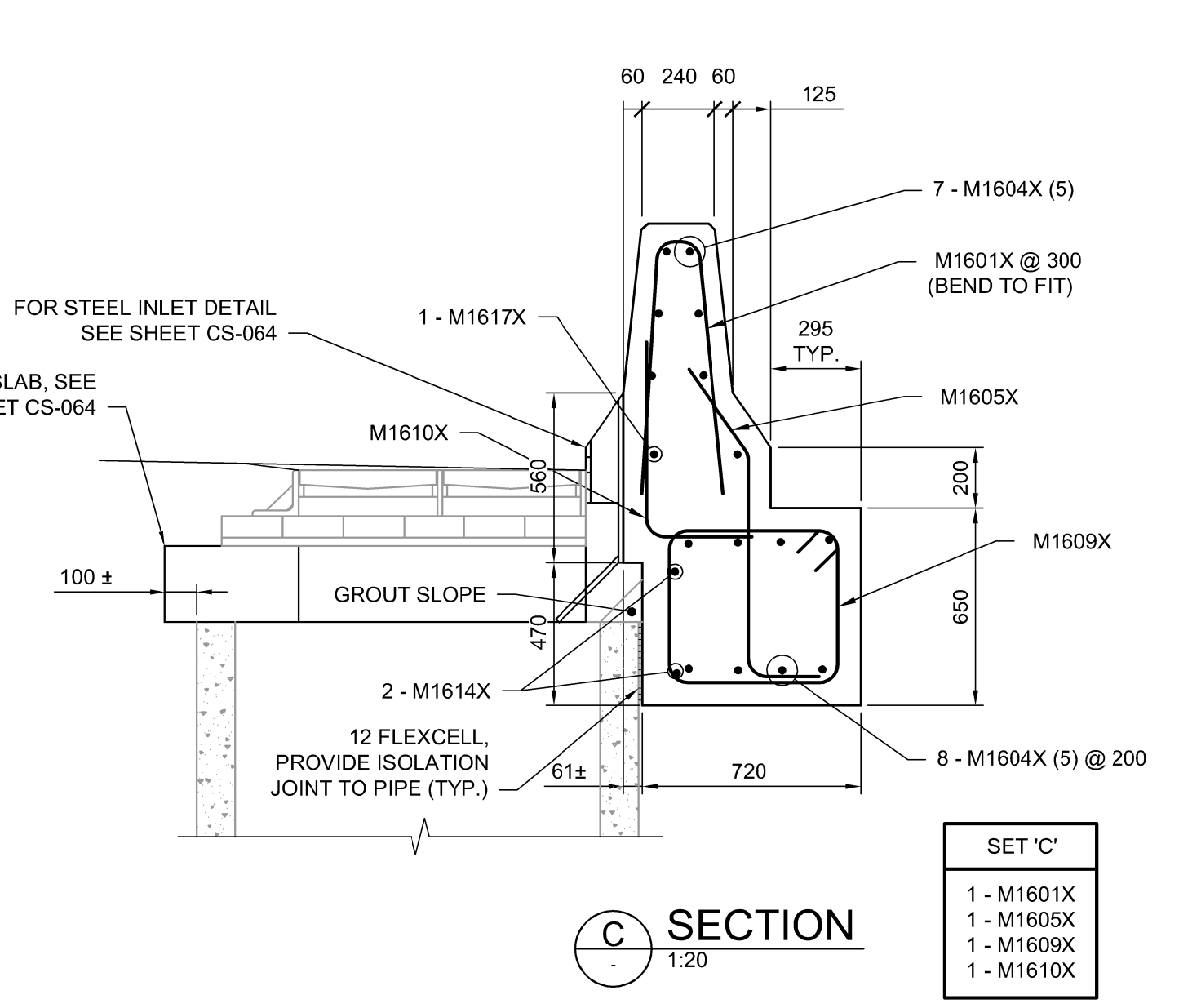
NOTE: CATCH BASIN AND GRATING NOT SHOWN FOR CLARITY



**SECTION B**  
1:20

- SET 'B'**
- 1 - M1601X
  - 1 - M1605X
  - 1 - M1607X
  - 1 - M1608X

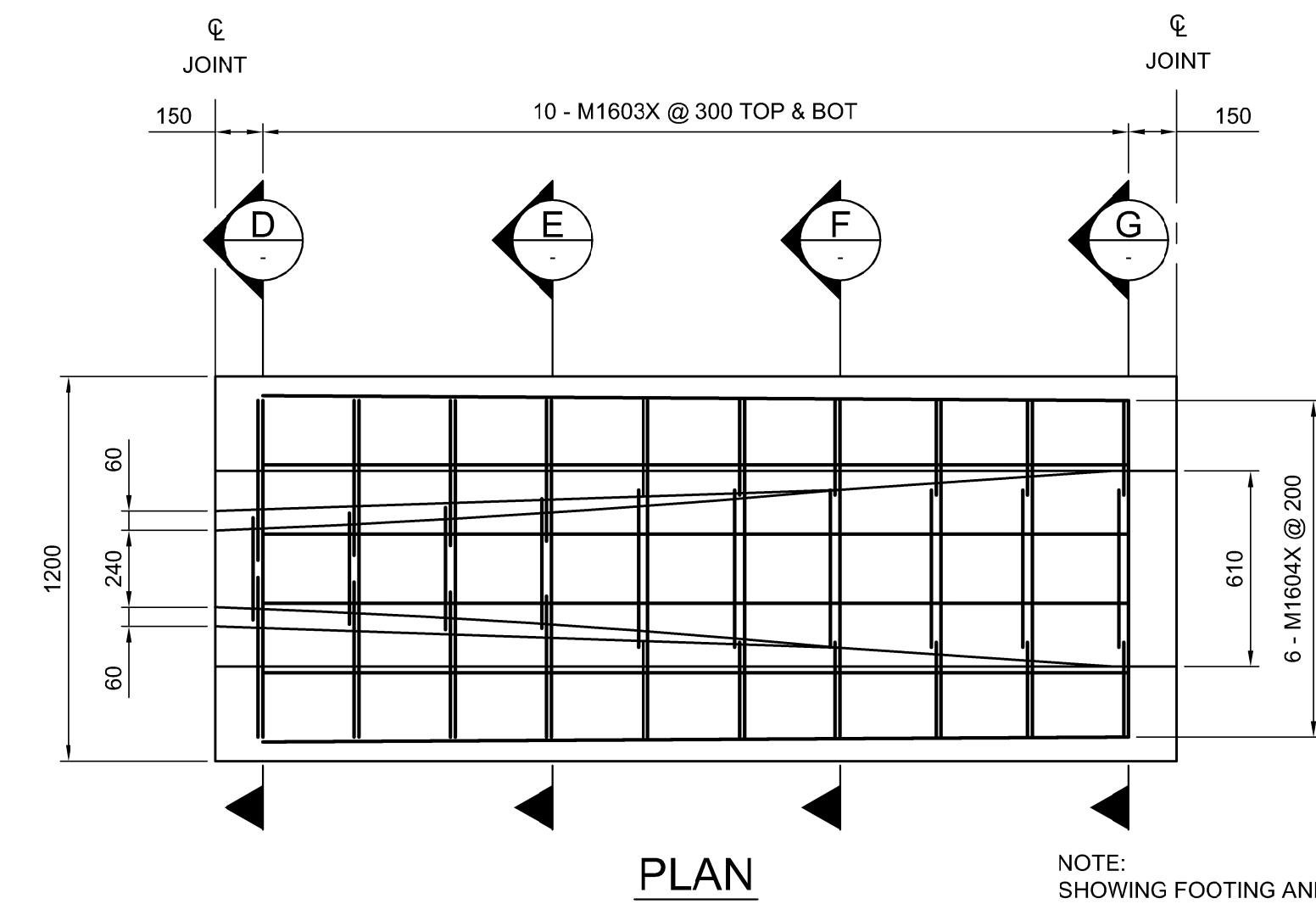
NOTE: CATCH BASIN AND GRATING NOT SHOWN FOR CLARITY



**SECTION C**  
1:20

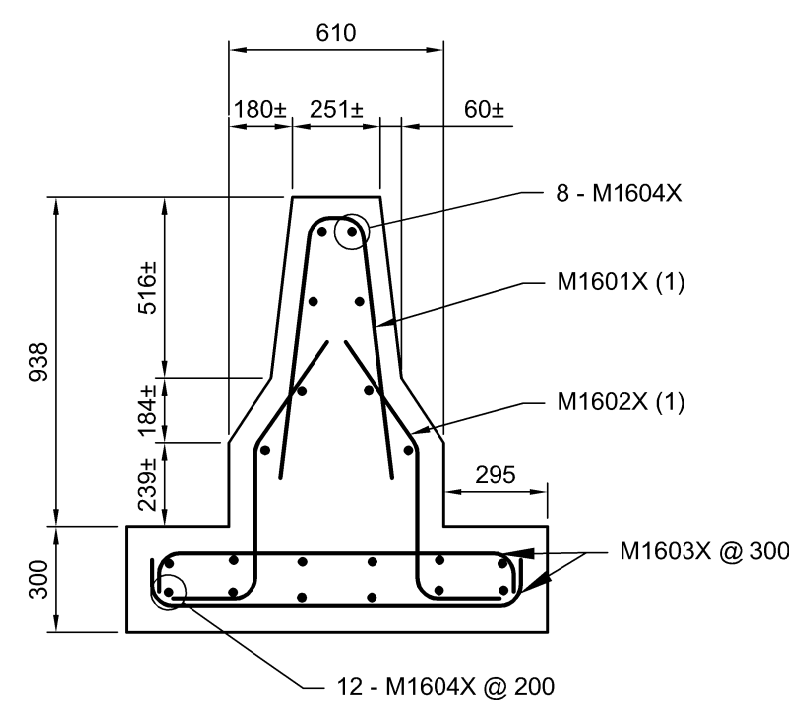
- SET 'C'**
- 1 - M1601X
  - 1 - M1605X
  - 1 - M1609X
  - 1 - M1610X

**NOTES:**  
1. FOR STANDARD JOINT DETAILS, REFER TO SHEET CS-063.

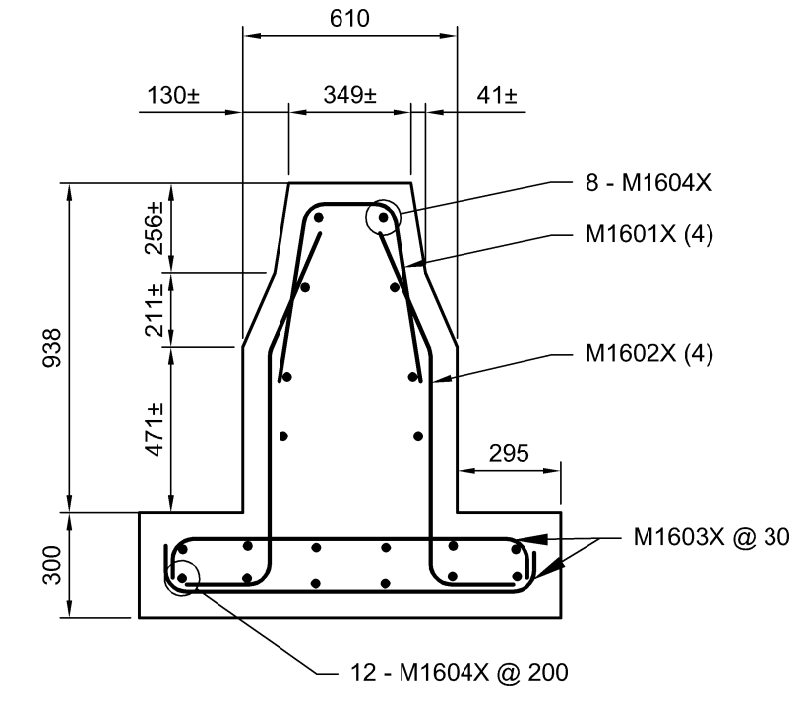


**PLAN**

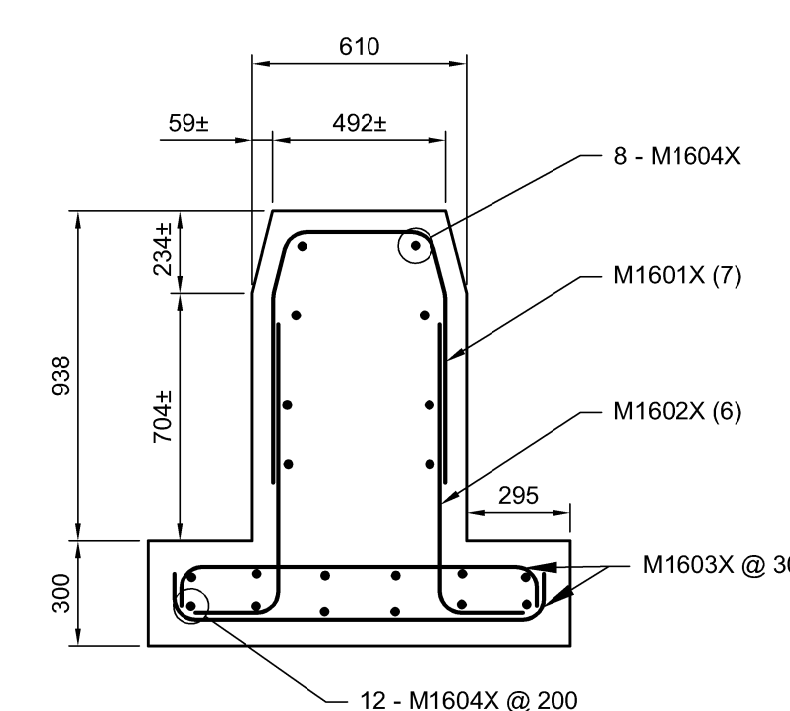
NOTE: SHOWING FOOTING AND BARRIER REINFORCING



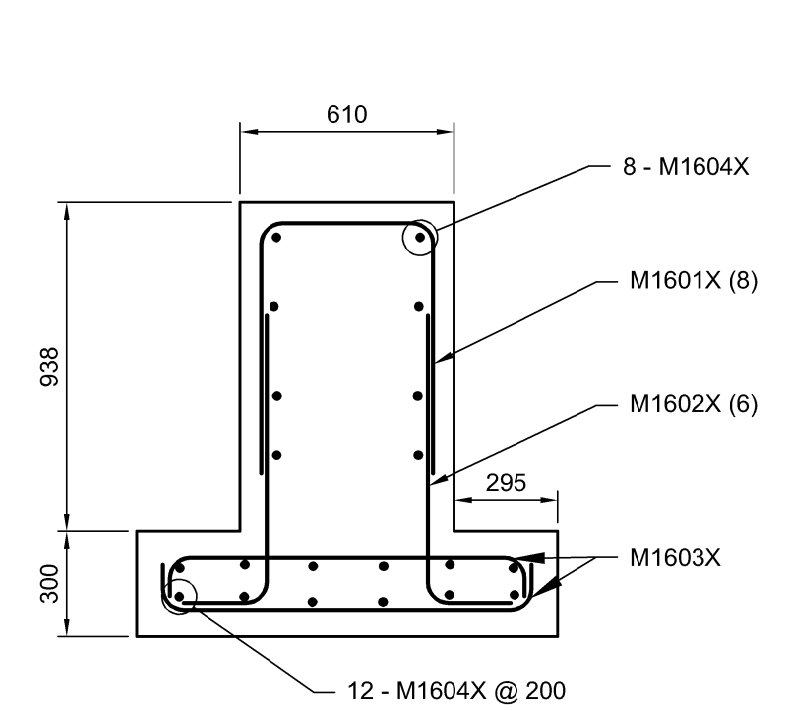
**SECTION D**  
1:20



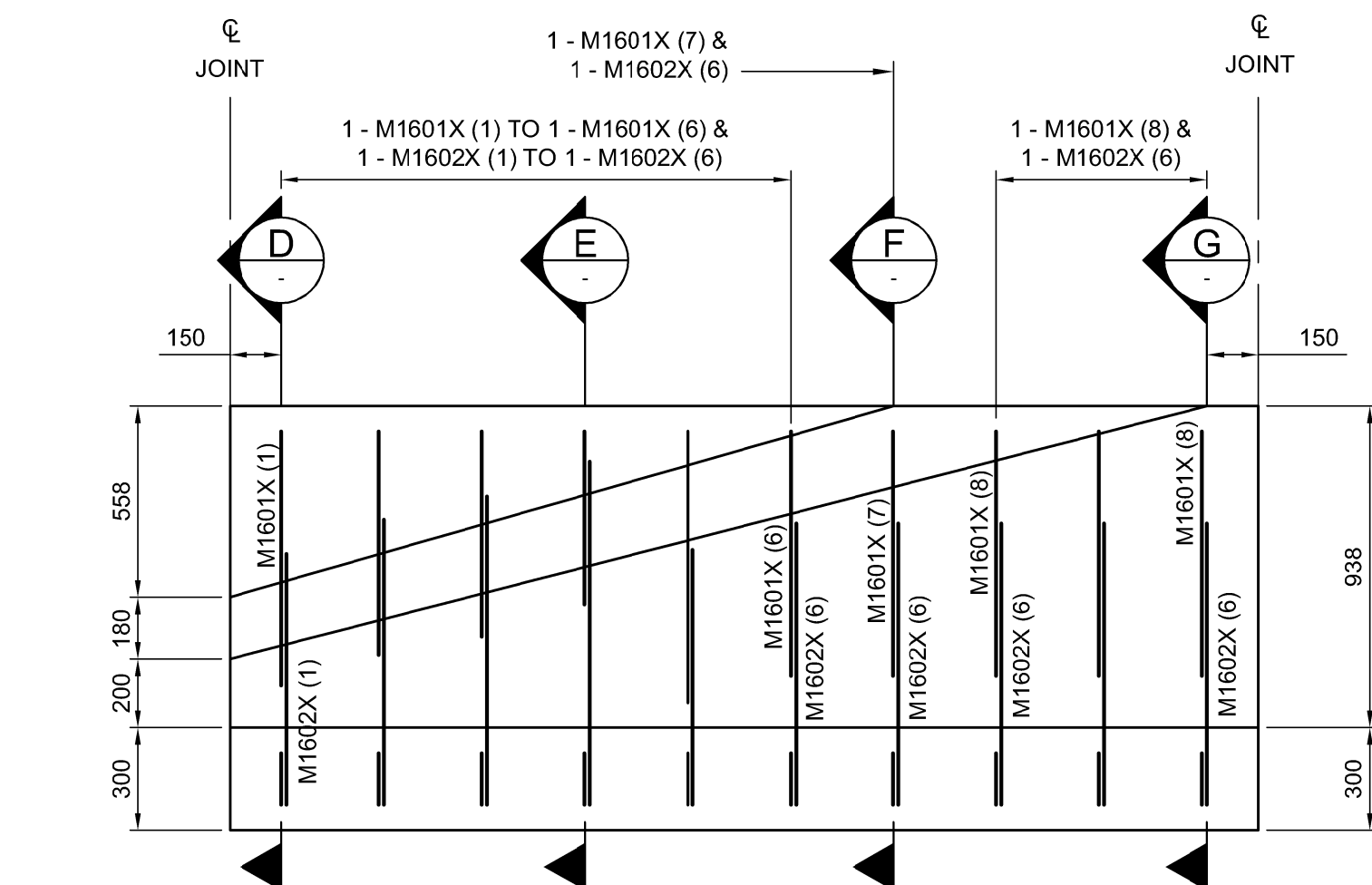
**SECTION E**  
1:20



**SECTION F**  
1:20



**SECTION G**  
1:20



**ELEVATION**

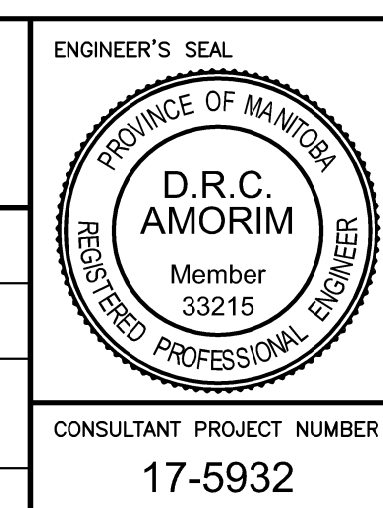
**PANEL 'B7M' (2 REQUIRED)**  
1:20

NOTE: SHOWING BARRIER REINFORCING ONLY



NO.	REVISIONS	DATE	BY	DATE
0	ISSUED FOR TENDER	18/02/09	DRA	

		DESIGNED BY	DRA	CHECKED BY	SSR
		DRAWN BY	CGC	APPROVED BY	MBL
HOR. SCALE		AS SHOWN		RELEASED FOR CONSTRUCTION	
VERTICAL SCALE		AS SHOWN			
CONSULTANT PROJECT NUMBER		17-5932			



**THE CITY OF WINNIPEG**  
PUBLIC WORKS DEPARTMENT

**FERMOR AVENUE BRIDGE OVER SEINE RIVER**  
BRIDGE RE-HABILITATION, PEDESTRIAN-CYCLIST UNDERPASS STRUCTURE AND ROADWORKS FROM ST. ANNE'S ROAD TO ARCHIBALD STREET

ROADWAY MEDIAN BARRIER  
DETAILS 2 OF 2

CITY DRAWING NUMBER: U-243-2017-CS-062  
SHEET 062 OF 100  
CONSULTANT DRAWING NUMBER: CS-062