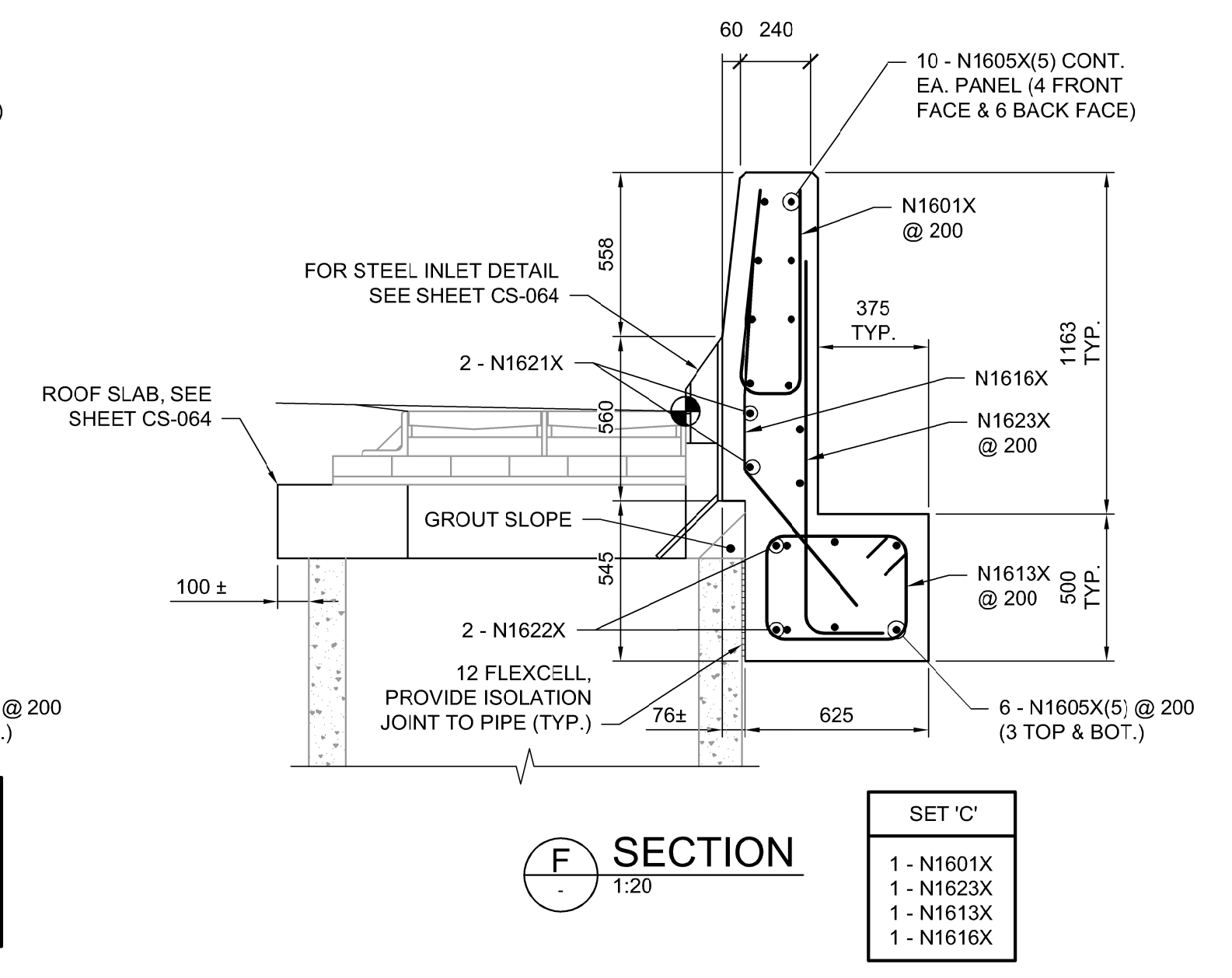
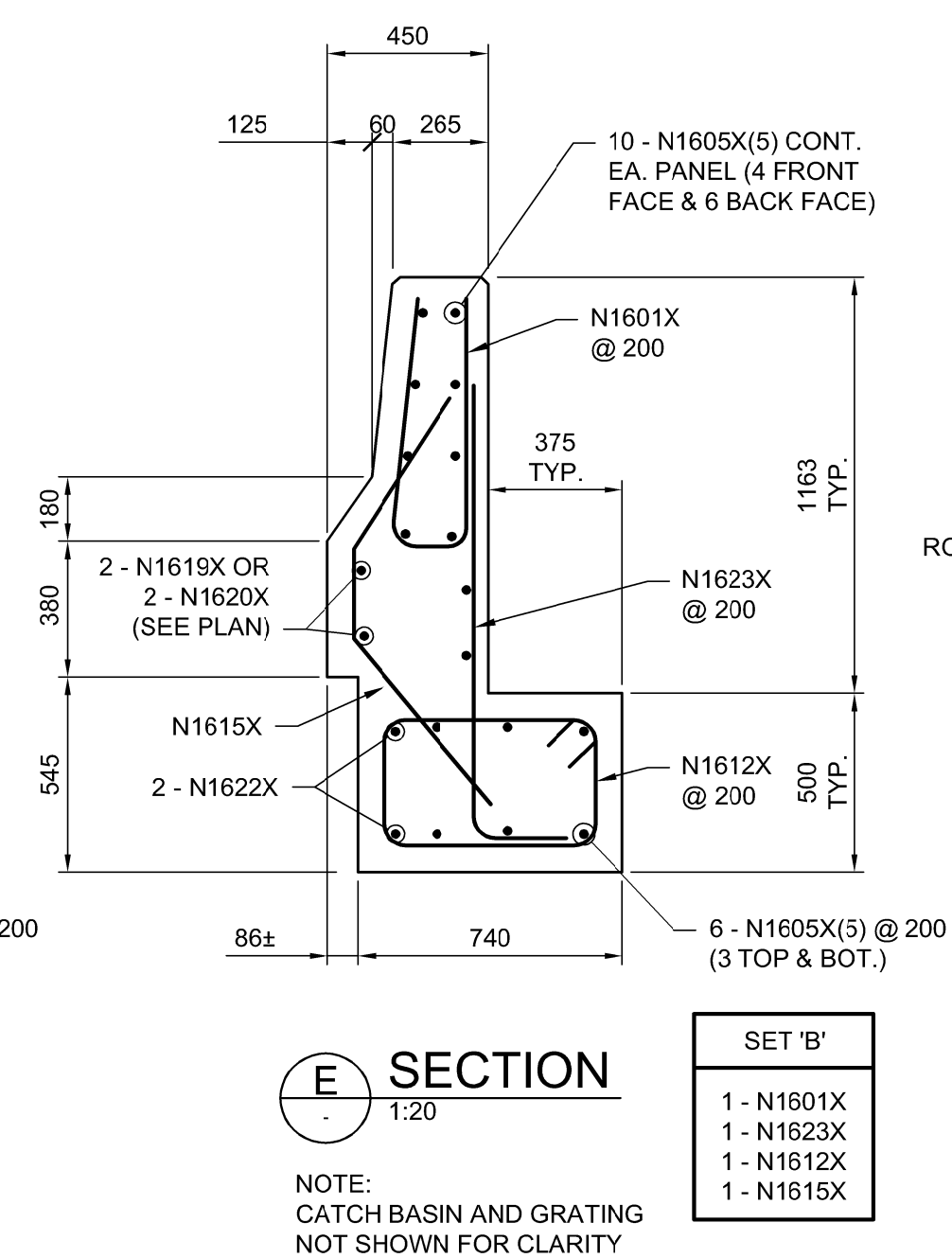
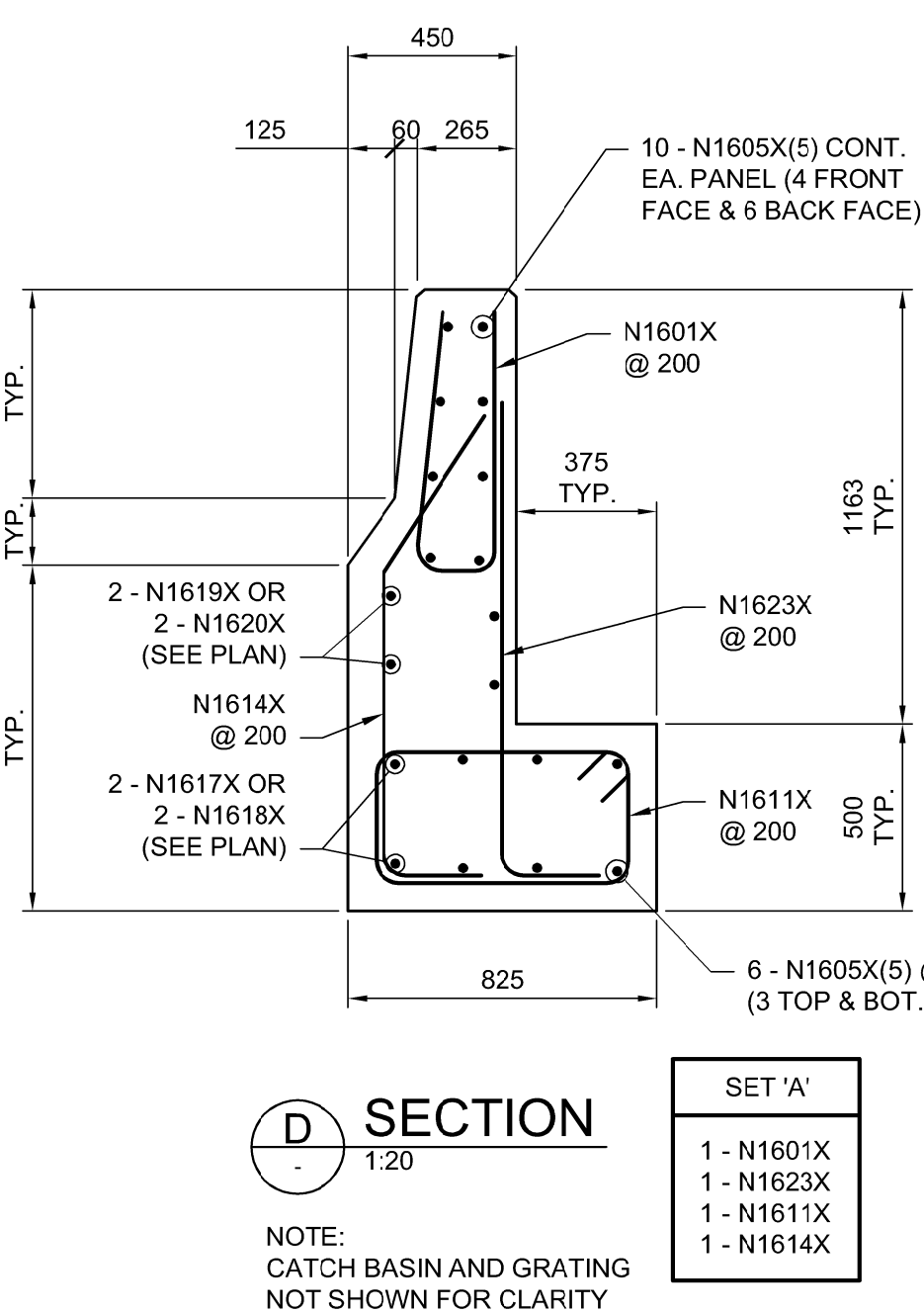
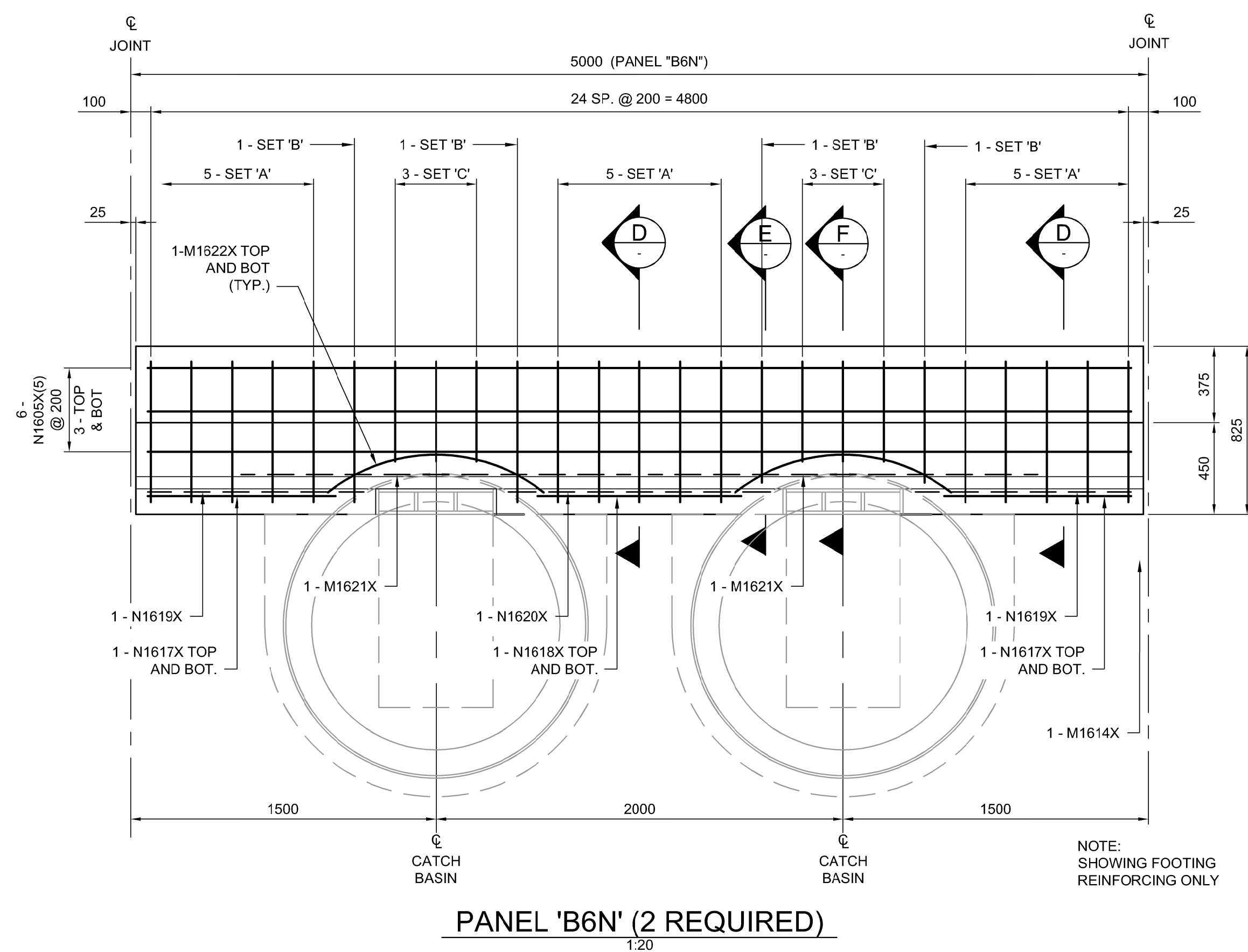


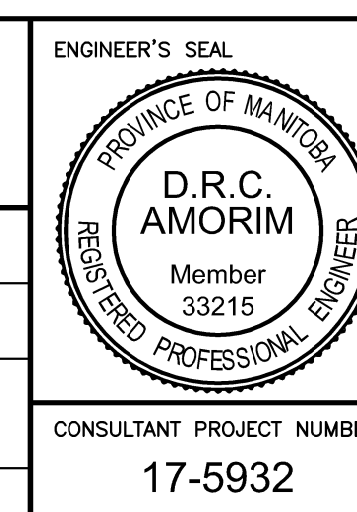
- NOTES:**
1. ALL EXPOSED EDGES TO BE CHAMFERED 20 mm UNLESS NOTED OTHERWISE.
 2. FOR STANDARD JOINT DETAILS, REFER TO SHEET CS-063.
 3. REFER SHEET No. CT-002 FOR CONTROL LINE GEOMETRY
 4. REFER TO SHEET CT-053 AND CT-054 FOR TYPICAL ROAD CROSS SECTIONS.



G:\CAD\175932\Drawings\Structural\CONTRACT\BRIDGE\175932-BRIDGE-CON-CS-ROADWAY NORTH SHOULDER BARRIER DETAILS 2.dwg



		DESIGNED BY	DRA	CHECKED BY	SSR
		DRAWN BY	CGC	APPROVED BY	MBL
HOR. SCALE AS SHOWN VERTICAL AS SHOWN		RELEASED FOR CONSTRUCTION DATE: 2018/02/09		CONSULTANT PROJECT NUMBER 17-5932	



THE CITY OF WINNIPEG
PUBLIC WORKS DEPARTMENT

FERMOR AVENUE BRIDGE OVER SEINE RIVER
BRIDGE RE-HABILITATION, PEDESTRIAN-CYCLIST UNDERPASS STRUCTURE AND ROADWORKS FROM ST. ANNE'S ROAD TO ARCHIBALD STREET

ROADWAY NORTH SHOULDER
BARRIER DETAILS 2 OF 2

CITY DRAWING NUMBER
U-243-2017-CS-060

SHEET 060 OF 100

CONSULTANT DRAWING NUMBER
CS-060