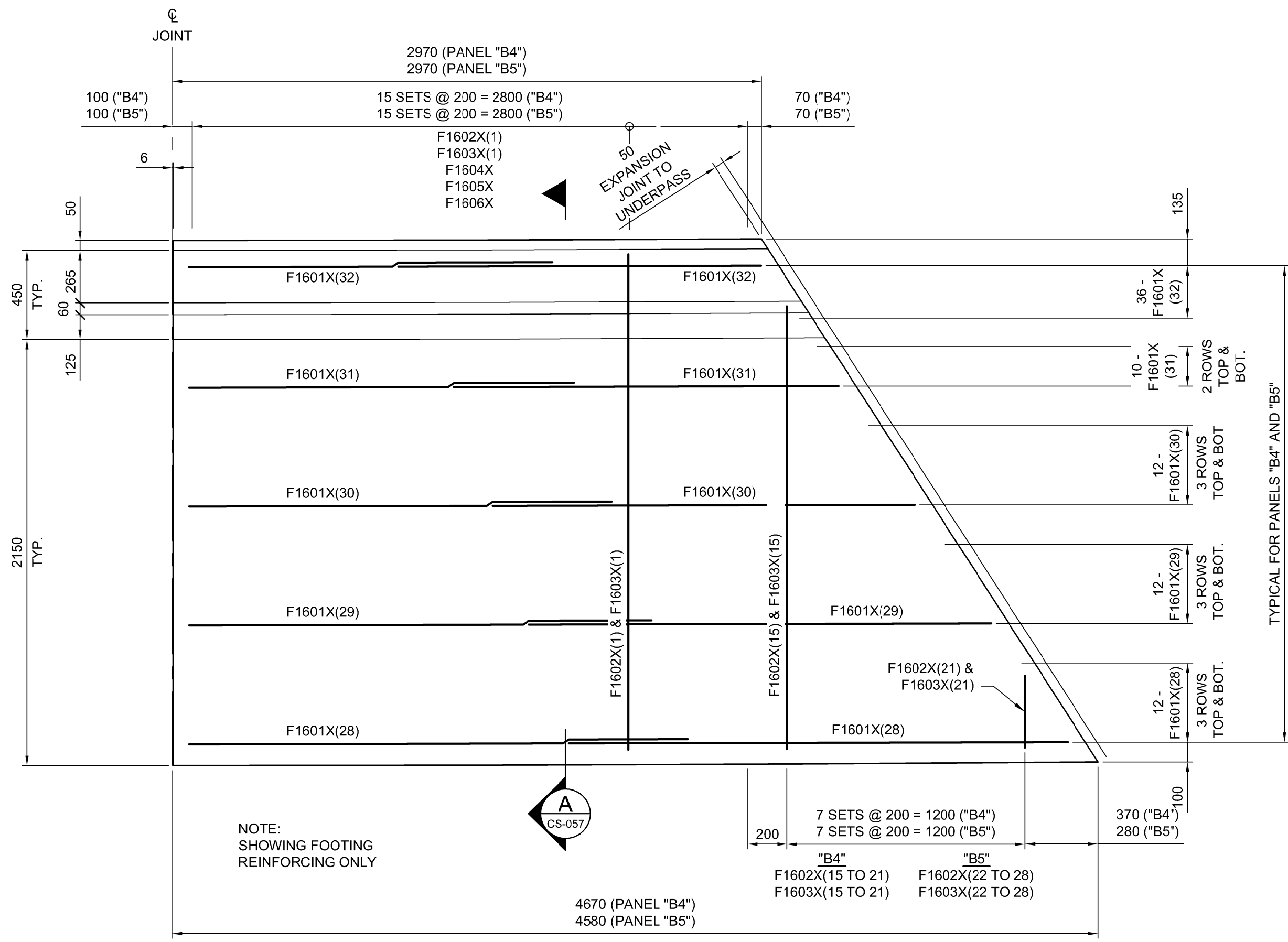


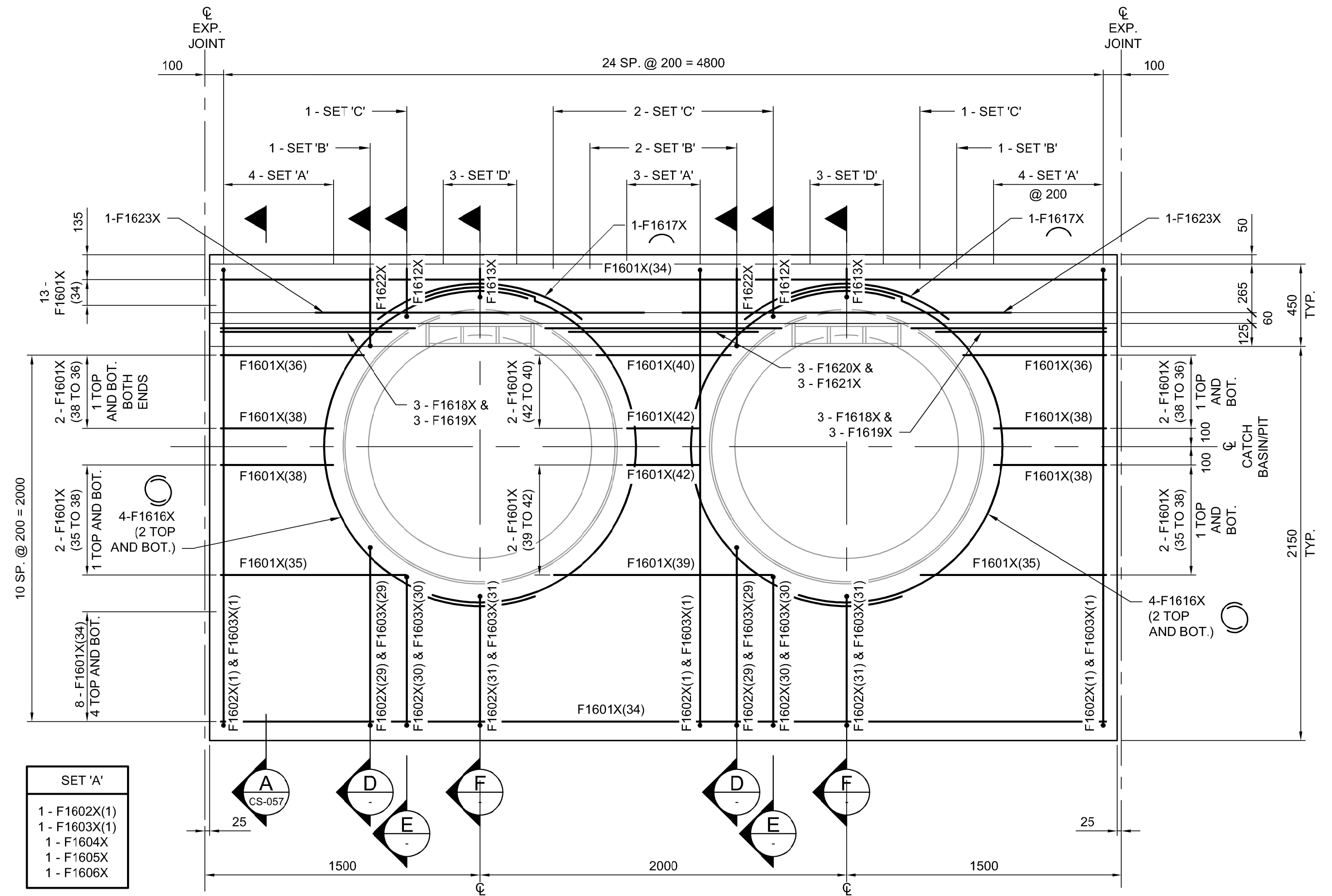
NOTES:

1. FOR SHOULDER BARRIER LAYOUT, REFER TO SHEETS CS-052, CS-053 & CS-068.
2. ALL EXPOSED EDGES TO BE CHAMFERED 20 mm UNLESS NOTED OTHERWISE.
3. FOR STANDARD JOINT DETAILS, REFER TO SHEET CS-063.



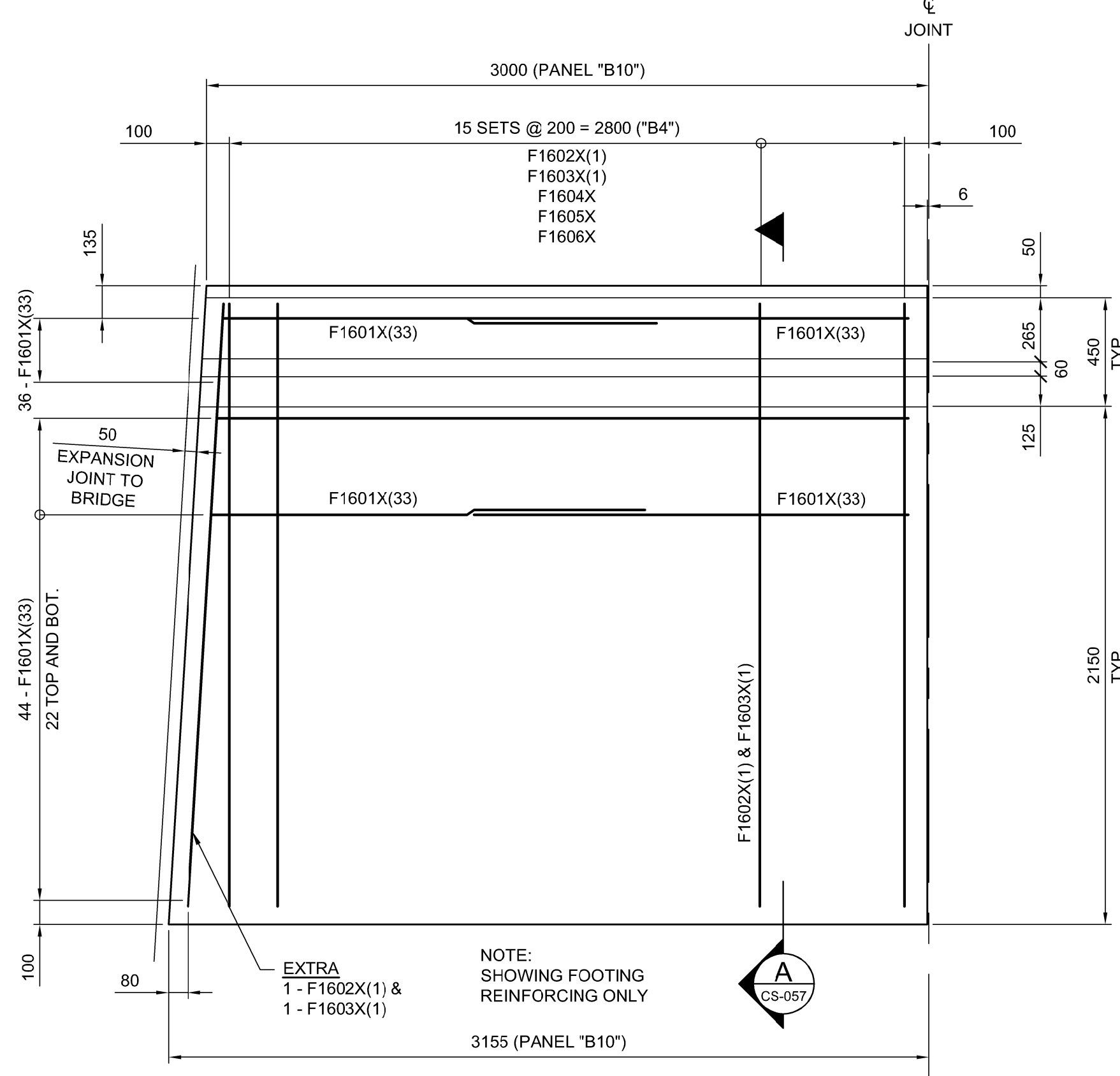
BARRIER PANEL "B4" (1 REQUIRED)
BARRIER PANEL "B5" (1 REQUIRED)

1:20
BARRIER PANEL "B4" SHOWN



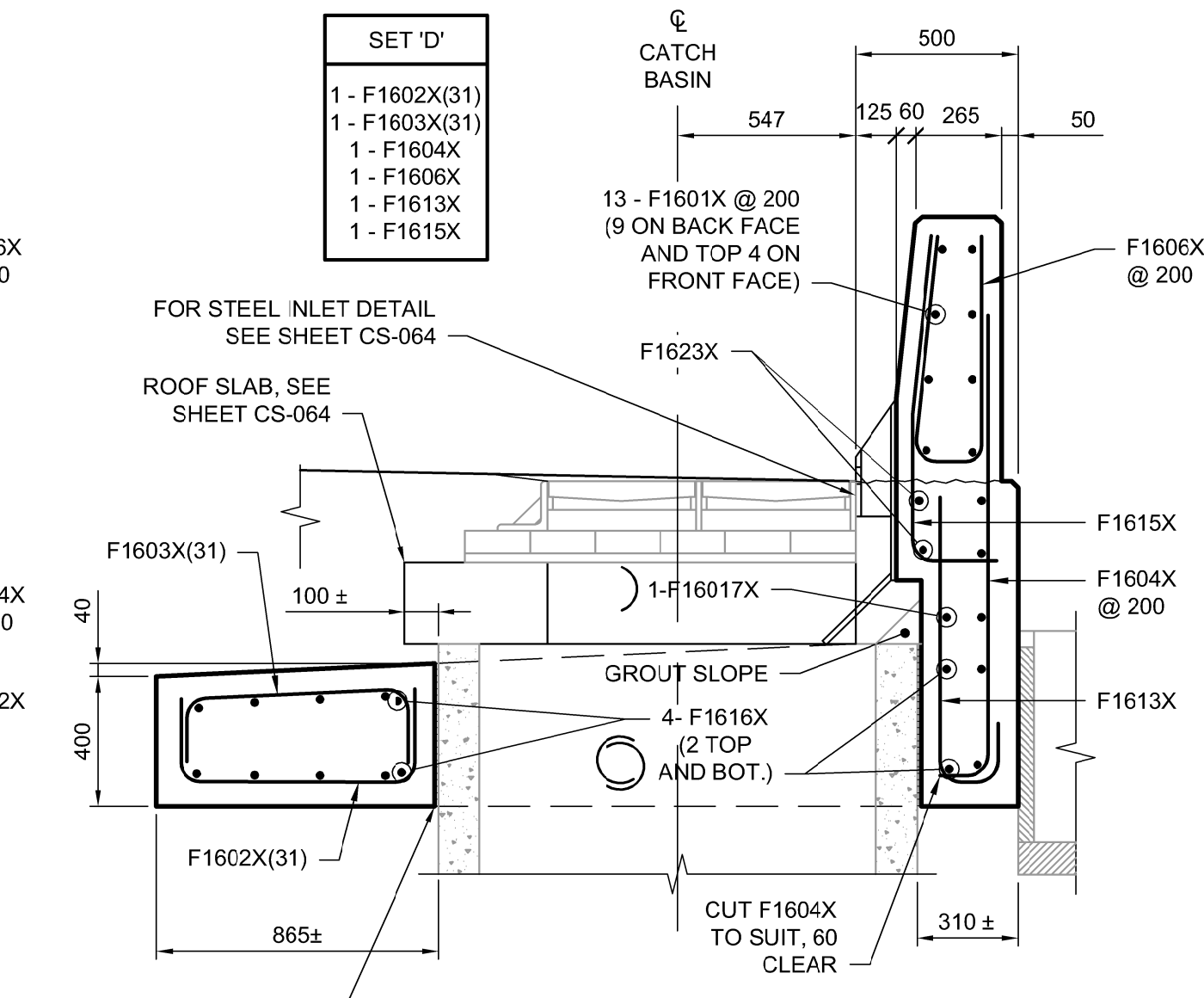
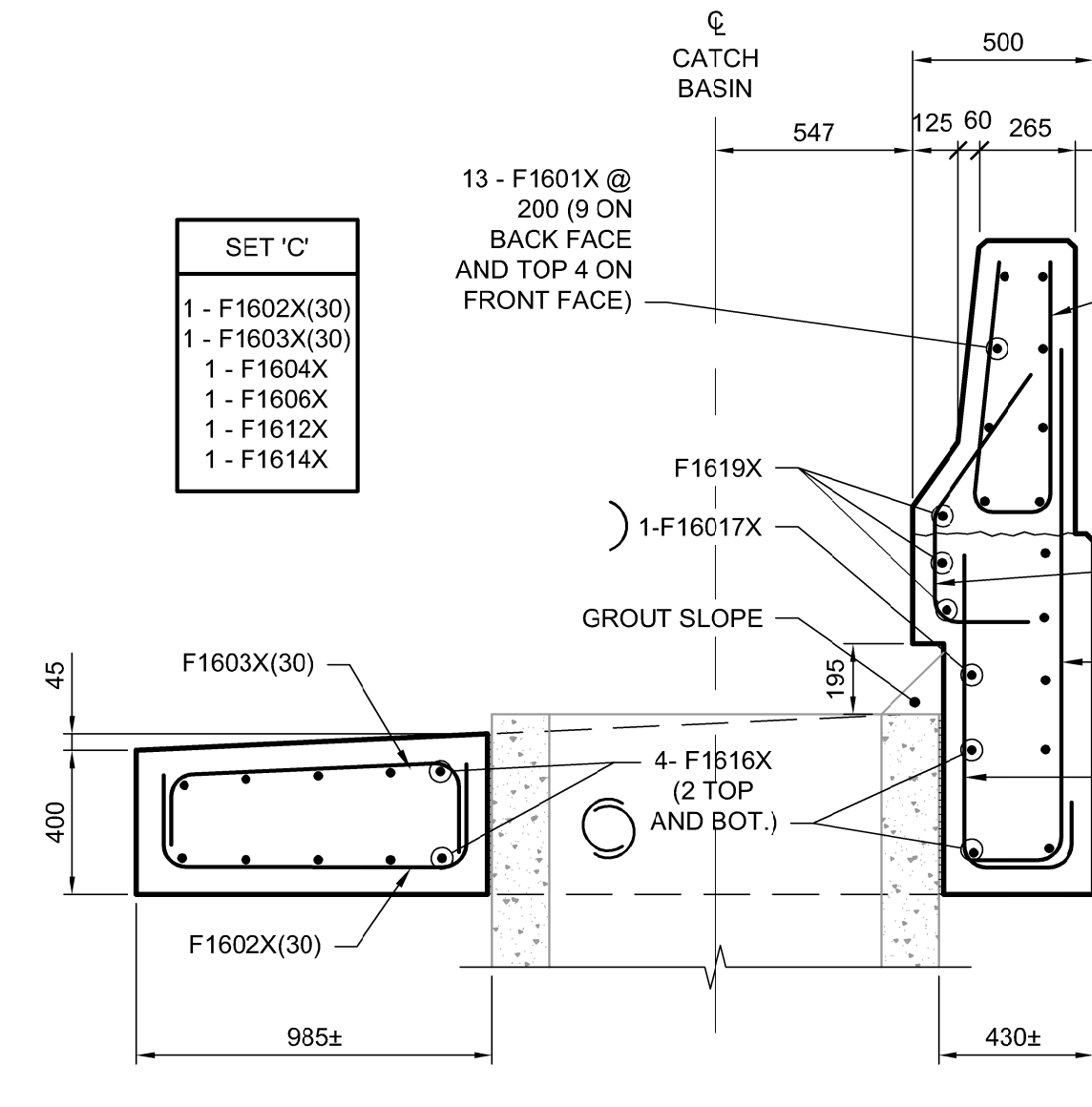
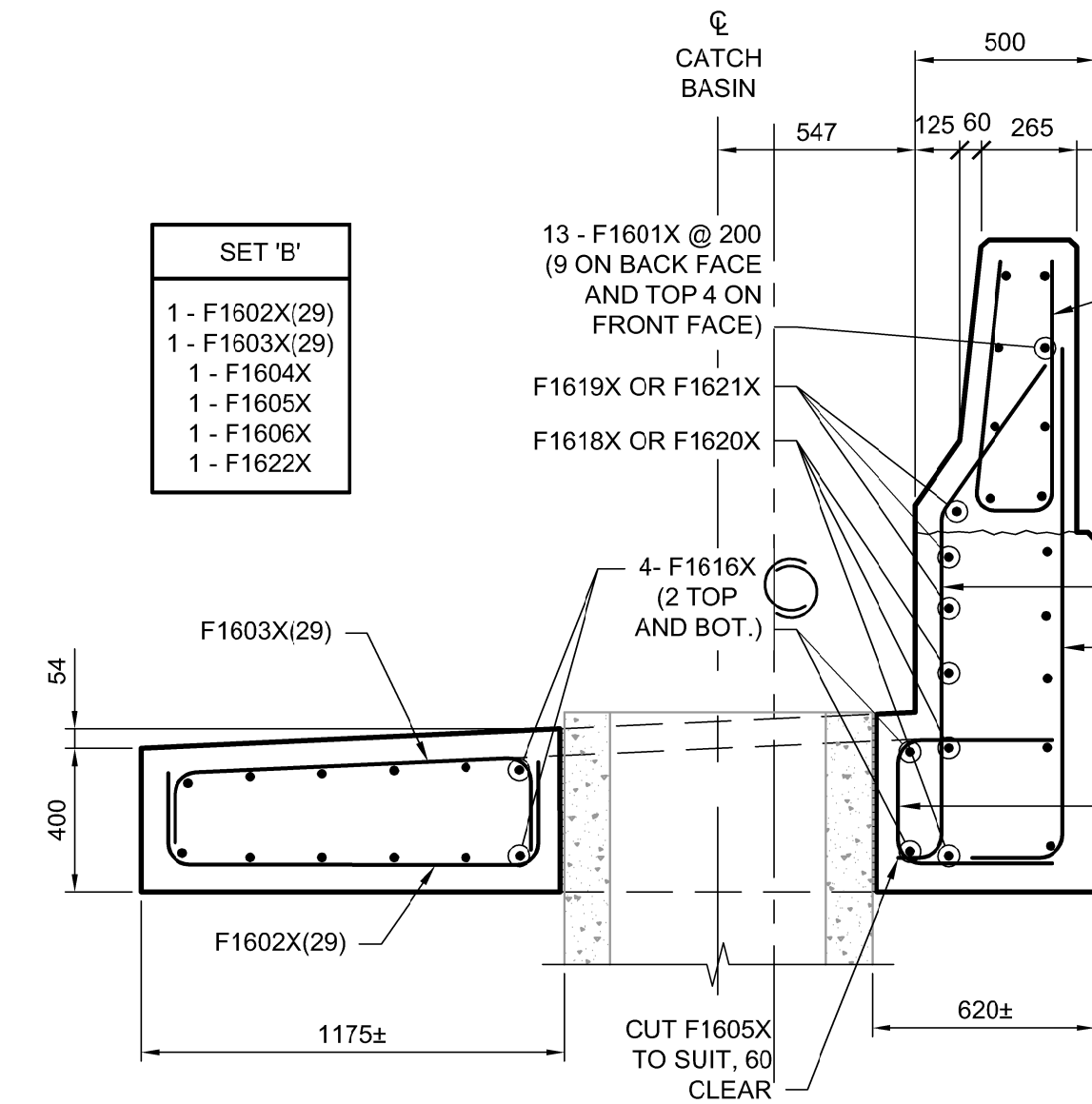
BARRIER PANEL "B8" (1 REQUIRED)

1:20



BARRIER PANEL "B10" (1 REQUIRED)

1:20



NO.	REVISIONS	DATE	BY	DATE
0	ISSUED FOR TENDER	18/02/09	DRA	

DILLON CONSULTING		DESIGNED BY	DRA	CHECKED BY	SSR
		DRAWN BY	CGC	APPROVED BY	MBL
HOR. SCALE		AS SHOWN		RELEASED FOR CONSTRUCTION	
VERTICAL		AS SHOWN		DATE	
		2018/02/09			

ENGINEER'S SEAL
PROVINCE OF MANITOBA
D.R.C. AMORIM
REGISTERED PROFESSIONAL ENGINEER
Member 33215
CONSULTANT PROJECT NUMBER
17-5932

THE CITY OF WINNIPEG
PUBLIC WORKS DEPARTMENT
Winnipeg

FERMOR AVENUE BRIDGE OVER SEINE RIVER
BRIDGE RE-ABILITATION, PEDESTRIAN-CYCLIST UNDERPASS STRUCTURE AND ROADWORKS FROM ST. ANNE'S ROAD TO ARCHIBALD STREET

CITY DRAWING NUMBER
U-243-2017-CS-058

SHEET OF
058 OF **100**

CONSULTANT DRAWING NUMBER
CS-058

ROADWAY SHOULDER BARRIER
DETAILS 2 OF 2

G:\CAD\175932\Drawings\Structural\BRIDGE-CON-CS-ROADSIDE BARRIER DETAILS 2.dwg