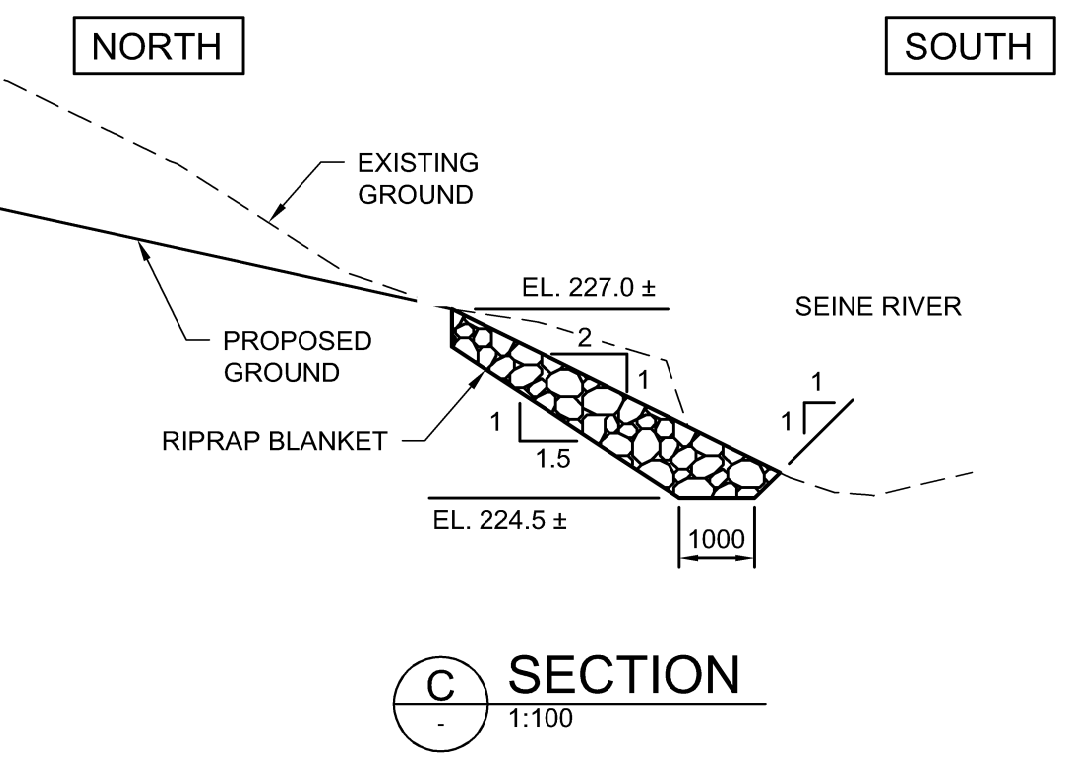
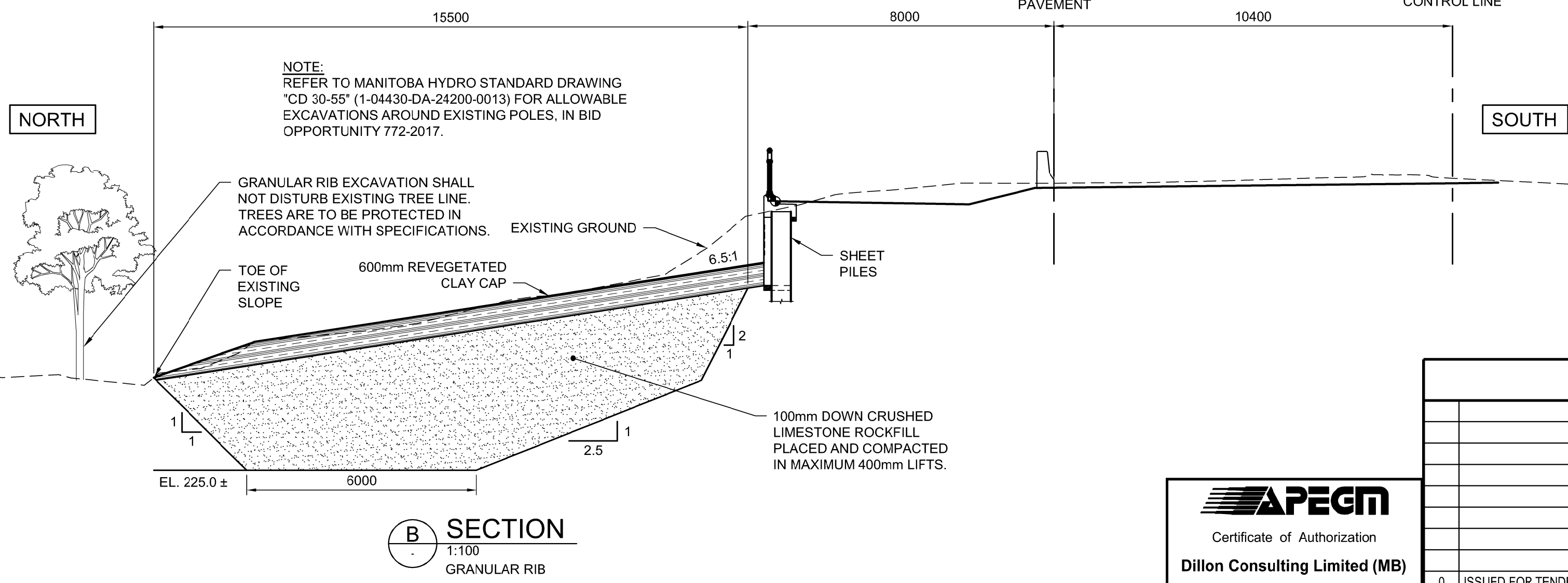
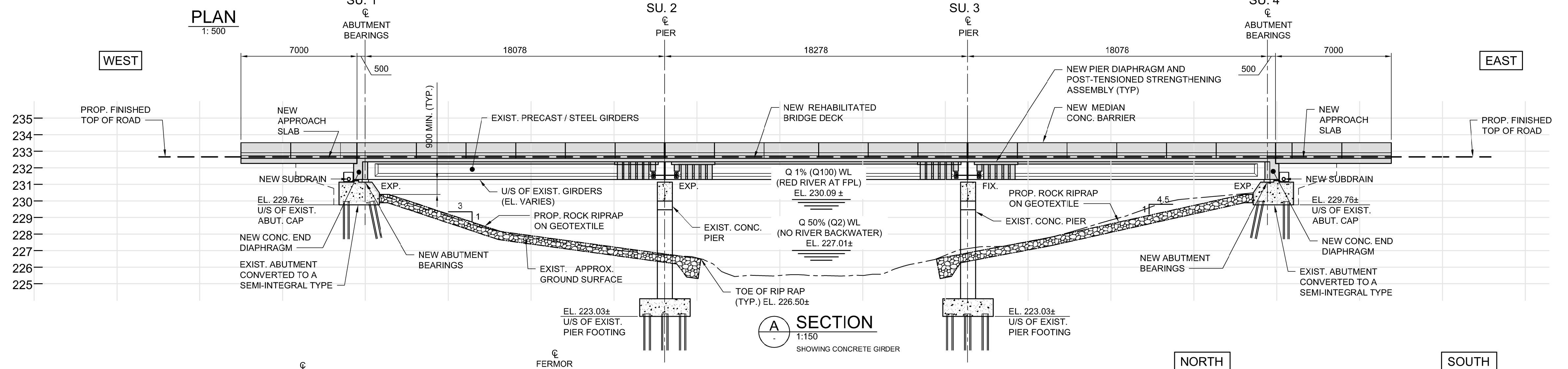


- SCHEDULE:**
- NO IN-WATER WORK SHALL OCCUR BETWEEN APRIL 1 TO JUNE 15.
 - STAGE 1 (APRIL - OCTOBER 2018):**
 - REHABILITATE NORTH PORTION OF THE BRIDGE.
 - INSTALL EROSION CONTROL BLANKET NORTHWEST OF BRIDGE.
 - INSTALL GRANULAR RIBS.
 - CONSTRUCT RETAINING WALLS AND ATP TO NORTHWEST OF THE BRIDGE.
 - CONSTRUCT OUTFALLS NORTH OF THE BRIDGE.
 - STAGE 2/3 (APRIL - OCTOBER 2019):**
 - REHABILITATE SOUTH PORTION OF THE BRIDGE.
 - PLACE RIPRAP UNDER BRIDGE TO THE EXTENTS PROVIDED ON THE DRAWING.
 - CONSTRUCT RETAINING WALL AND RIPRAP BLANKET TO THE SOUTHWEST OF THE BRIDGE.



G:\CAD\175932\Drawings\Structural\Bridges\175932-BRIDGE-CON-CS-SLOPE PROTECTION.dwg

APEGM
Certificate of Authorization
Dillon Consulting Limited (MB)
No. 1789 Date: 2018/02/09

DESIGNED BY	DRA	CHECKED BY	SSR
DRAWN BY	CGC	APPROVED BY	MBL
HOR. SCALE	AS SHOWN	RELEASED FOR CONSTRUCTION	
VERTICAL	AS SHOWN	DATE	2018/02/09
ISSUED FOR TENDER	18/02/09	DRA	
NO. REVISIONS	DATE	BY	DATE

ENGINEER'S SEAL
PROVINCE OF MANITOBA
D.R.C. AMORIM
Member
33215
REGISTERED PROFESSIONAL ENGINEER

CONSULTANT PROJECT NUMBER
17-5932

THE CITY OF WINNIPEG
PUBLIC WORKS DEPARTMENT

FERMOR AVENUE BRIDGE OVER SEINE RIVER
BRIDGE RE-HABILITATION, PEDESTRIAN-CYCLIST UNDERPASS STRUCTURE AND ROADWORKS FROM ST. ANNE'S ROAD TO ARCHIBALD STREET

CITY DRAWING NUMBER
B-118-2017-CS-047

SHEET
047 OF 100

CONSULTANT DRAWING NUMBER
CS-047

SLOPE PROTECTION WORKS 1 OF 2