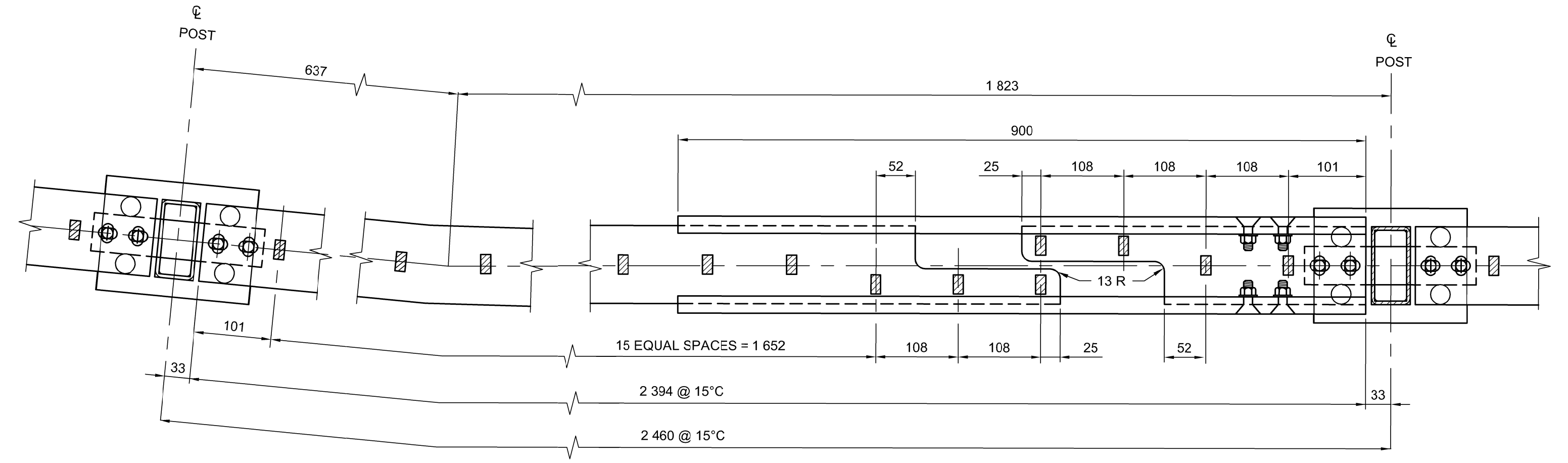
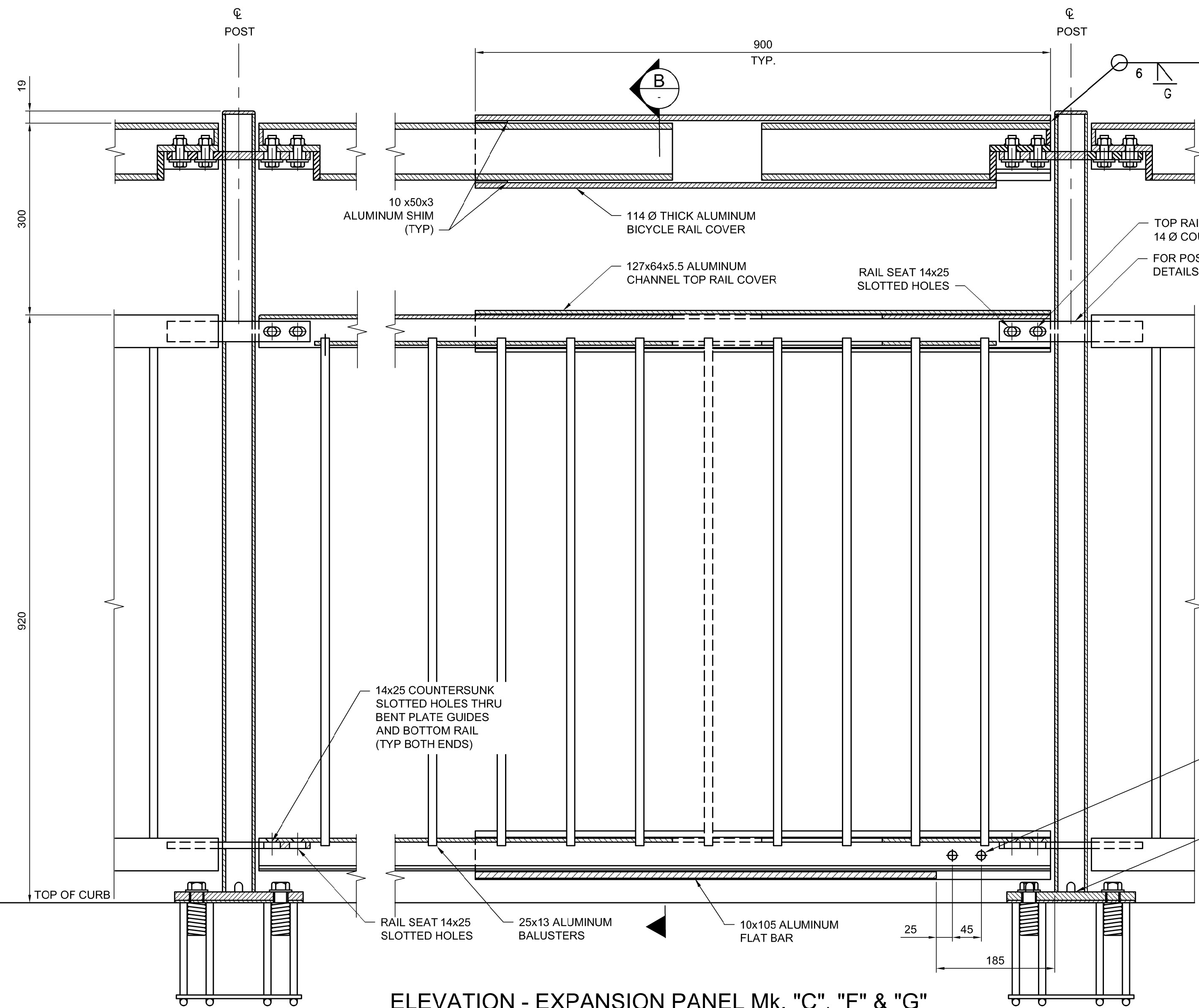


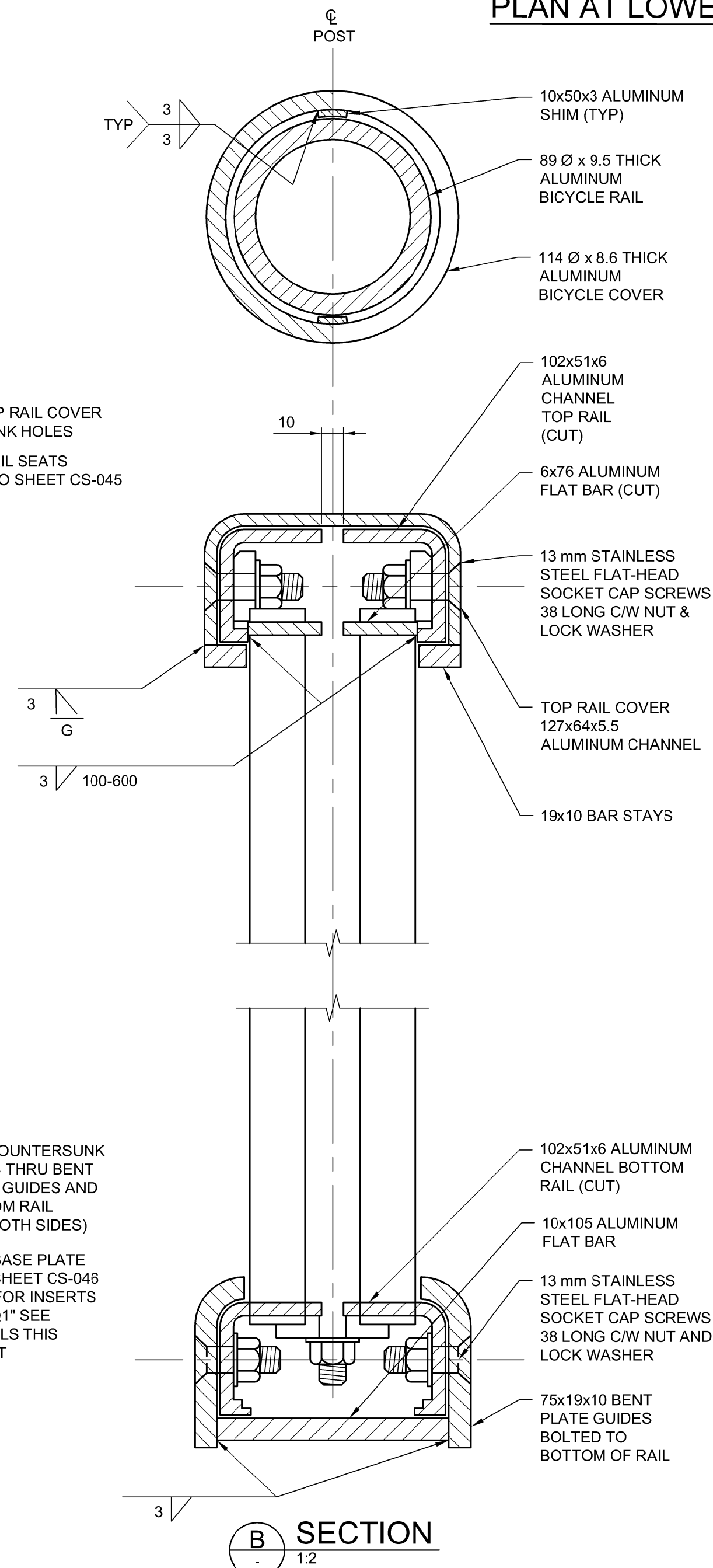
PLAN AT LOWER RAIL - PANEL Mk. "F" & "G"
1:5



PLAN AT LOWER RAIL - PANEL Mk. "C"
1:5



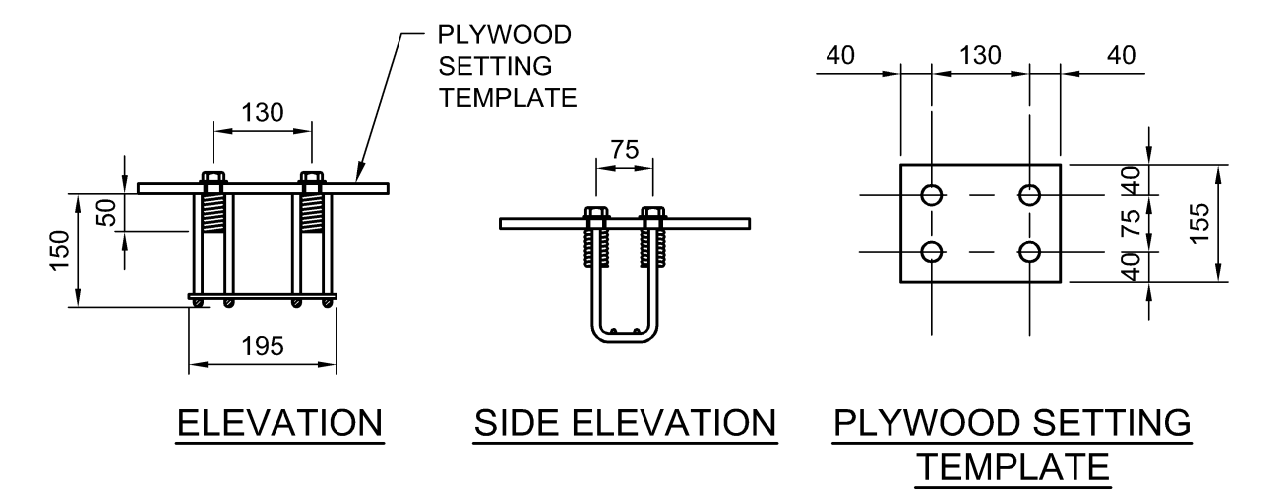
ELEVATION - EXPANSION PANEL Mk. "C", "F" & "G"
1:5
LONGITUDINAL SECTION AT CENTERLINE OF RAILS



SECTION B
1:2

BILL OF MISCELLANEOUS METAL FOR LIFE PRESERVER HOOK				
MARK	No.	DESCRIPTION	MASS PER UNIT	TOTAL MASS
1		230 x 32 x 6 THICK ALUM. PLATE. AS DETAILED	0.12	0.12
1		540 x 25 x 6 THICK ALUM. BENT PLATE. AS DETAILED	0.22	0.22
4		4 - 13 mm x 45 LG. FLAT HEAD SOCKET CAP SCREW C/W NUT & LOCK WASHER	0.10	0.40
TOTAL MASS (kg) =			0.74	

BILL OF MISCELLANEOUS METAL FOR CURB & RETAINING WALL HANDRAIL INSERTS				
MARK	No.	DESCRIPTION	SIZE	MASS PER UNIT
Q1	79	PRE-SET STAINLESS STEEL ANCHOR UNIT	ANCHOR UNIT C/W 4-25 Ø ASTM A325 BOLT, 100 LONG, 8 PLASTIC CAP PLUGS, PLATE, LOCK WASHERS AND PLYWOOD SETTING TEMPLATE	3.32
TOTAL MASS				262.28 kg



PRESET ANCHOR UNIT Mk. "Q1"
1:10

G:\CAD\175932\Drawings\Structural\Contract\BRIDGE-CON-CS-FED-HANDRAIL-DETAILS-1.dwg

APEGM
Certificate of Authorization
Dillon Consulting Limited (MB)
No. 1789 Date: 2018/02/09

DESIGNED BY	DRA	CHECKED BY	SSR
DRAWN BY	NBG / DB	APPROVED BY	MBL
HOR. SCALE	AS SHOWN	RELEASED FOR CONSTRUCTION	
VERTICAL	AS SHOWN		
ISSUED FOR TENDER	18/02/09	DRA	
NO. REVISIONS	DATE	BY	DATE
			2018/02/09

ENGINEER'S SEAL
PROVINCE OF MANITOBA
D.R.C. AMORIM
Member 33215
REGISTERED PROFESSIONAL ENGINEER
CONSULTANT PROJECT NUMBER
17-5932

THE CITY OF WINNIPEG
PUBLIC WORKS DEPARTMENT
Winnipeg
FERMOR AVENUE BRIDGE OVER SEINE RIVER
BRIDGE RE-ABILIATION, PEDESTRIAN-CYCLIST UNDERPASS STRUCTURE AND ROADWORKS FROM ST. ANNE'S ROAD TO ARCHIBALD STREET
CITY DRAWING NUMBER
B-118-2017-CS-044
SHEET 044 OF 100
CONSULTANT DRAWING NUMBER
CS-044
ALUMINUM PEDESTRIAN HANDRAIL
DETAILS 1 OF 3