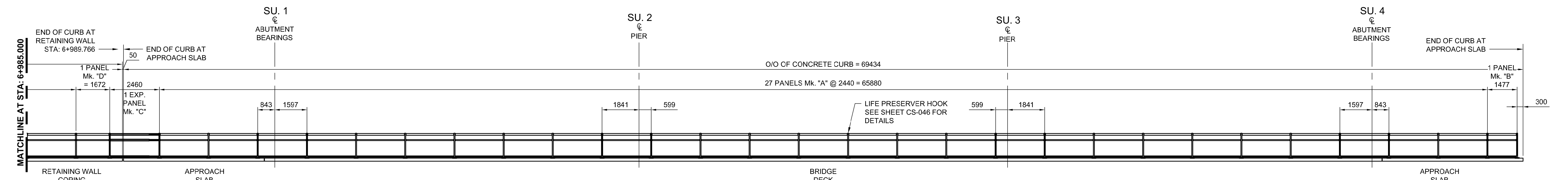
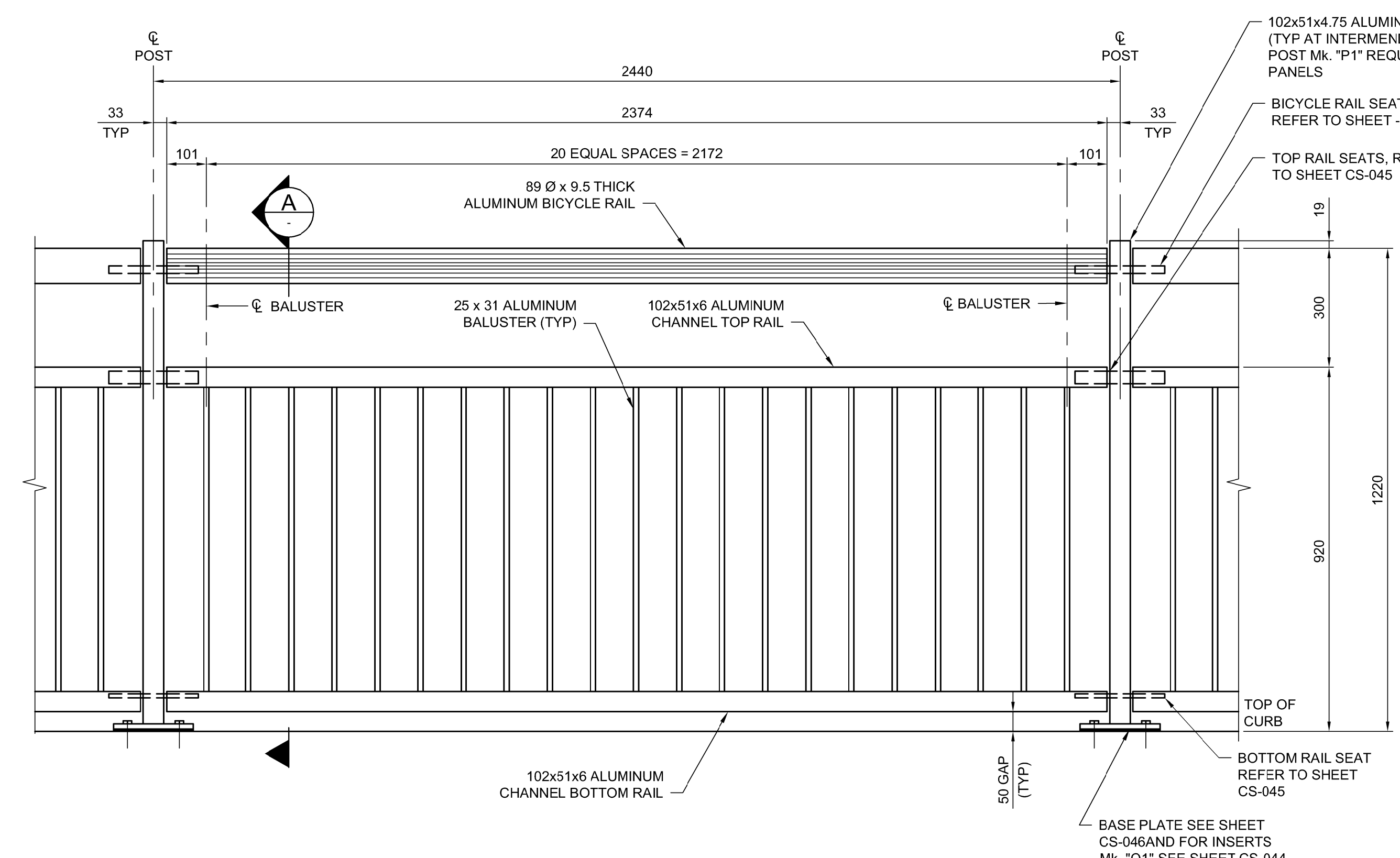


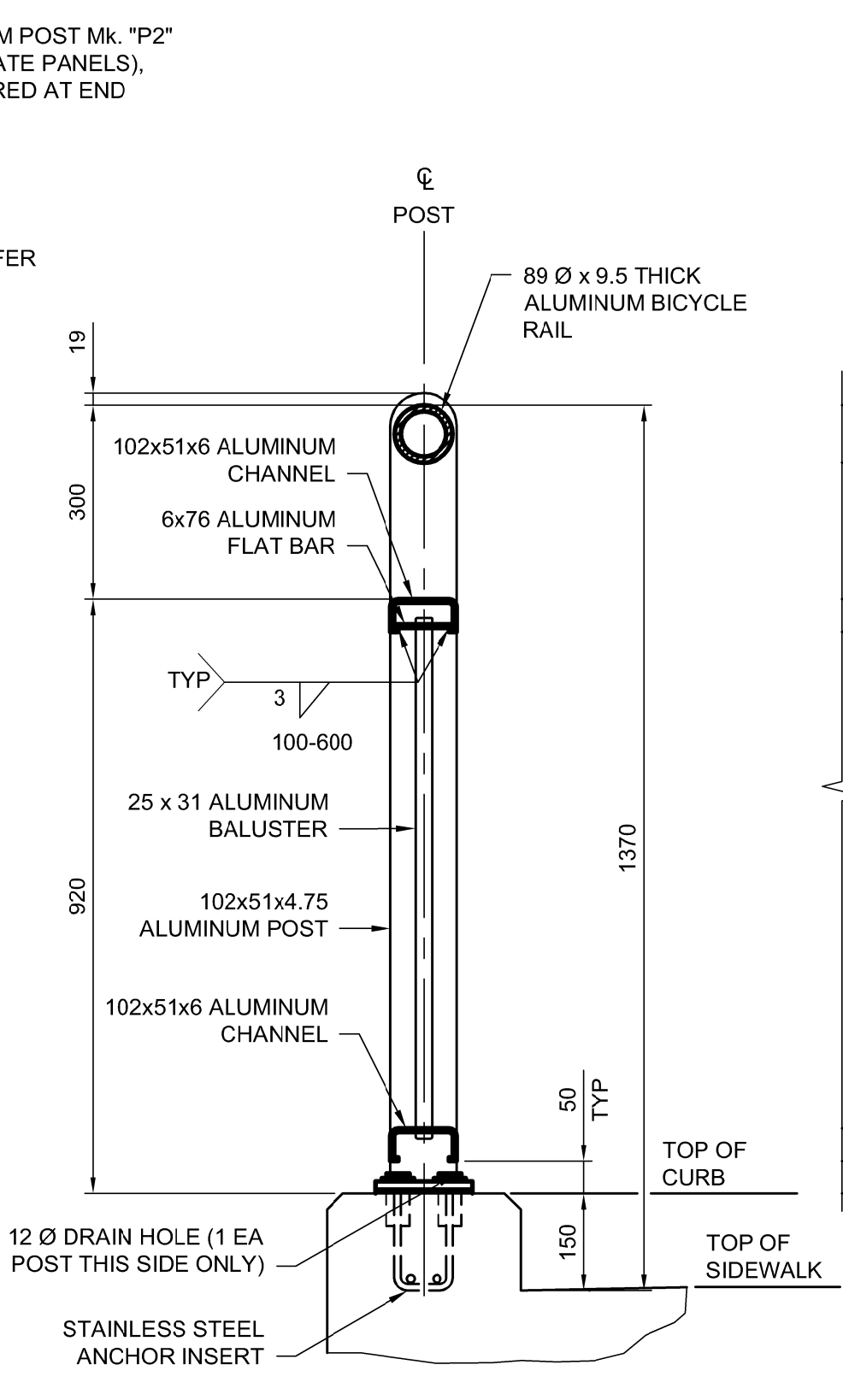
RETAINING WALL PEDESTRIAN HANDRAIL LAYOUT
1:100



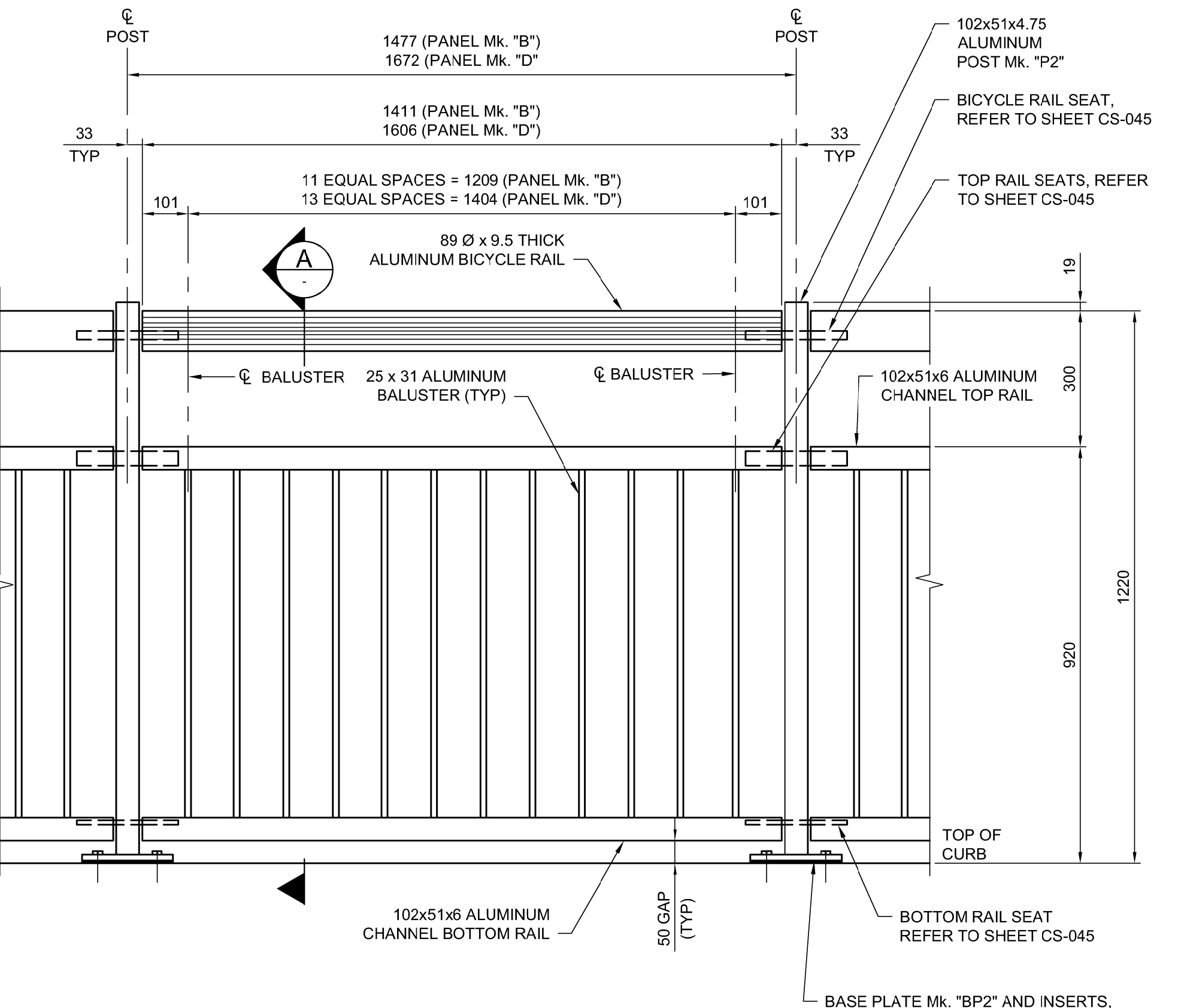
BRIDGE PEDESTRIAN HANDRAIL LAYOUT
1:100



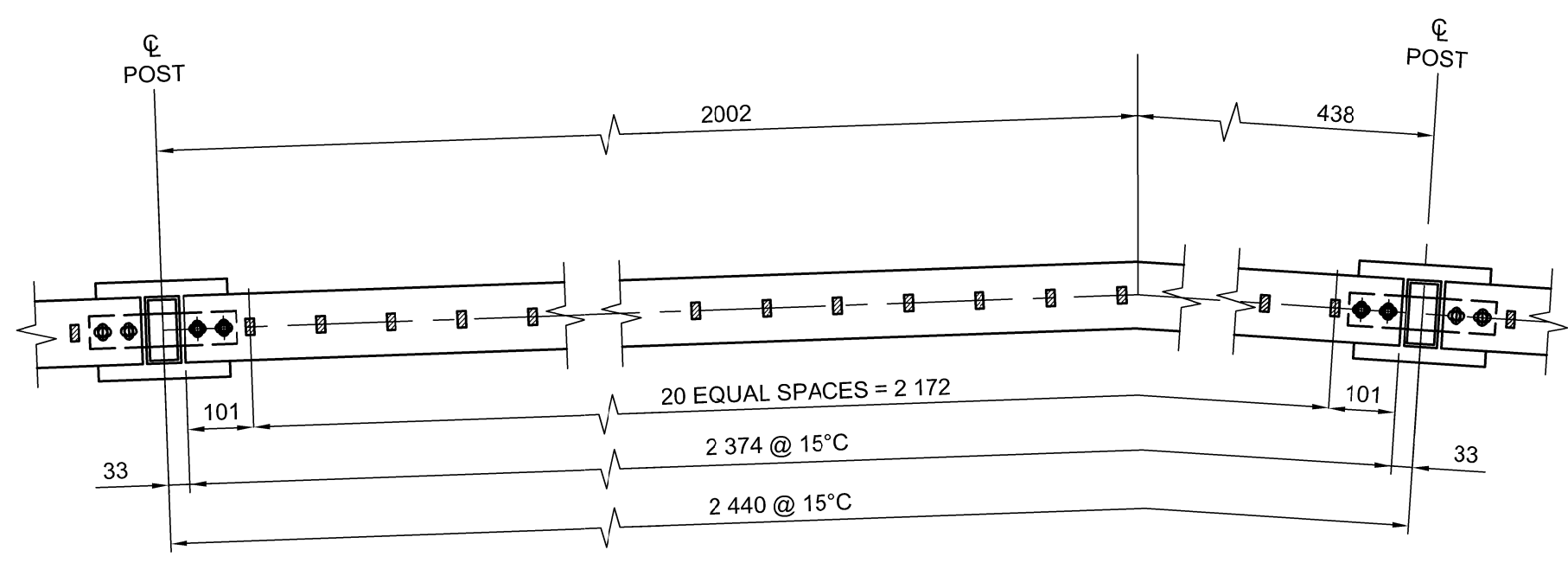
ELEVATION - PANEL MK. "A" & "E"
1:10
INTERMEDIATE PANEL SHOWN



SECTION A
1:10



ELEVATION - PANEL MK. "B" & "D"
1:10



PLAN AT LOWER RAIL - PANEL MK. "E"
1:10

APEGM
Certificate of Authorization
Dillon Consulting Limited (MB)
No. 1789 Date: 2018/02/09

DESIGNED BY	DRA	CHECKED BY	SSR
DRAWN BY	NBG / DB	APPROVED BY	MBL
HOR. SCALE	AS SHOWN	RELEASED FOR CONSTRUCTION	
VERTICAL	AS SHOWN		
ISSUED FOR TENDER	18/02/09	DRA	
NO. REVISIONS	DATE	BY	DATE
0	2018/02/09		

ENGINEER'S SEAL
PROVINCE OF MANITOBA
D.R.C. AMORIM
Member 33215
REGISTERED PROFESSIONAL ENGINEER
CONSULTANT PROJECT NUMBER
17-5932

THE CITY OF WINNIPEG
PUBLIC WORKS DEPARTMENT

FERMOR AVENUE BRIDGE OVER SEINE RIVER
BRIDGE RE-HABILITATION, PEDESTRIAN-CYCLIST UNDERPASS STRUCTURE AND ROADWORKS FROM ST. ANNE'S ROAD TO ARCHIBALD STREET

CITY DRAWING NUMBER
B-118-2017-CS-043

SHEET
043 OF 100

CONSULTANT DRAWING NUMBER
CS-043

ALUMINUM PEDESTRIAN HANDRAIL LAYOUT

G:\CAD\175932\Drawings\Structural\BRIDGE\CON-CS-FED_HANDRAIL_LAYOUT.dwg