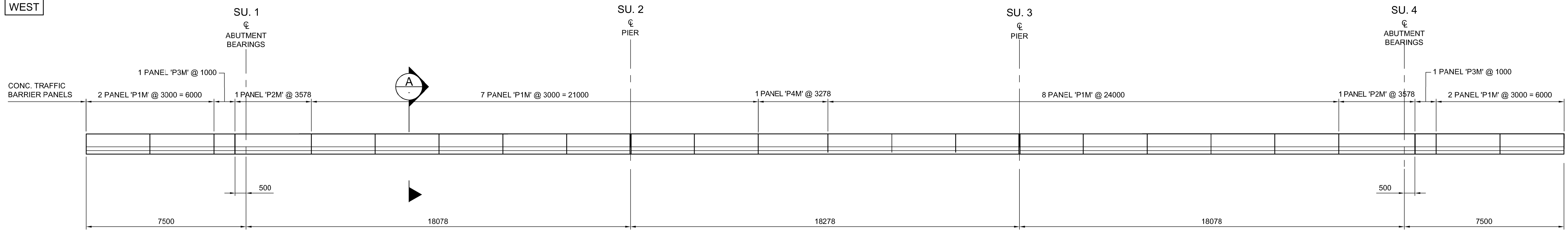


WEST

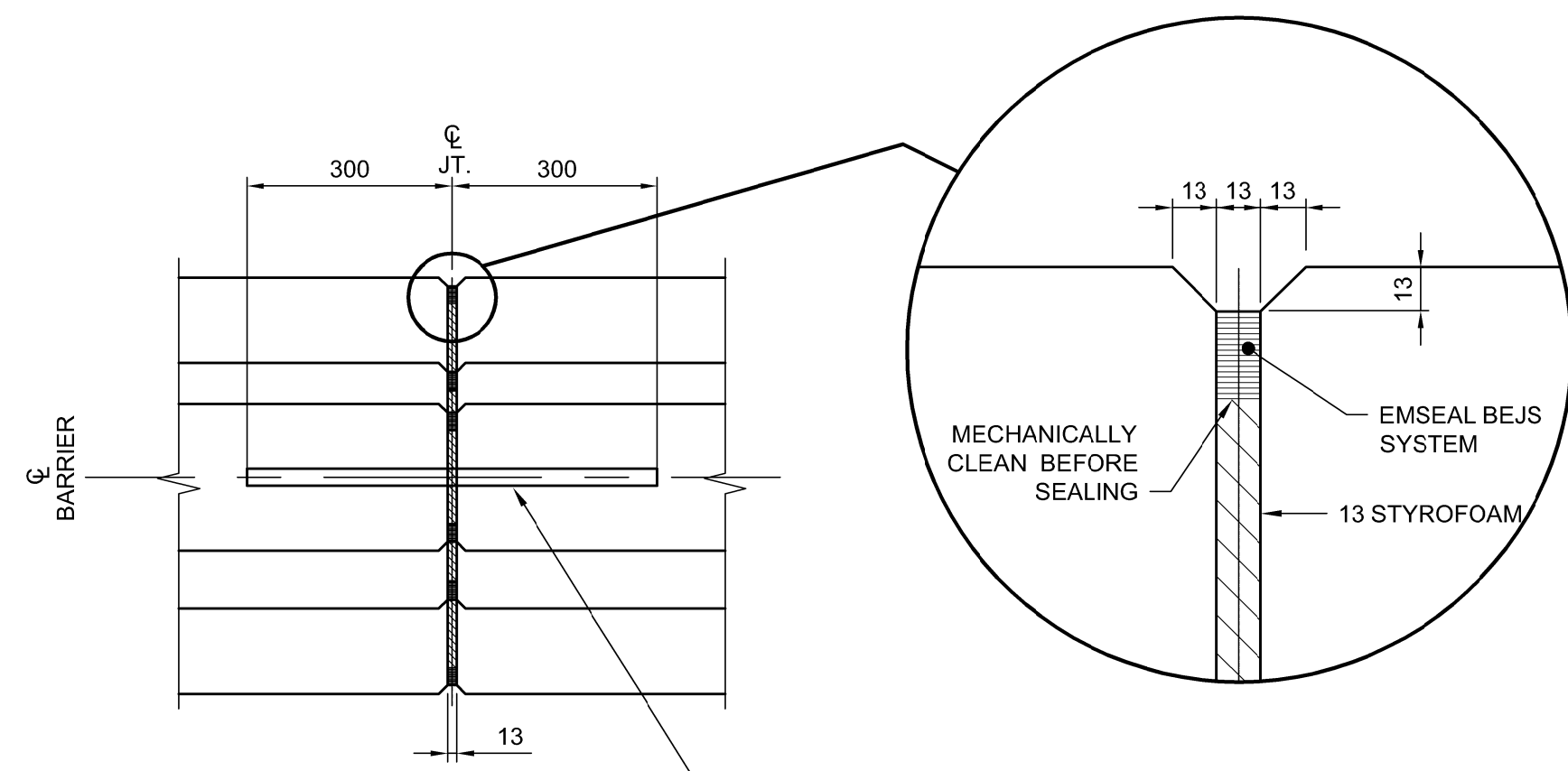
EAST



MEDIAN BARRIER LAYOUT

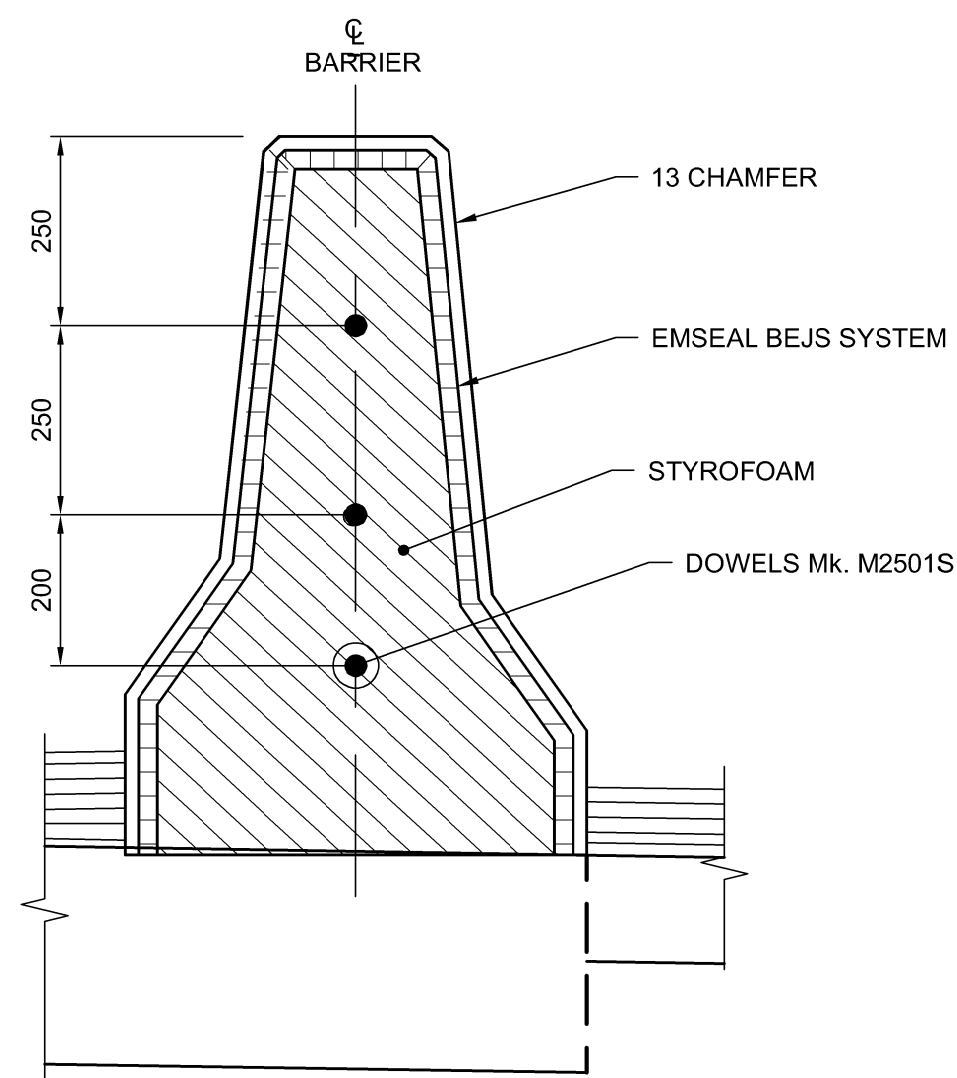
1:100
NOTE: CONCRETE BARRIER ELEVATION LOOKING NORTH

MEDIAN BARRIER			
PANEL TYPE	QTY	No. OF M1601S STIRRUP BARS	LONGITUDINAL BARS
'P1M'	19	10	4-M1602S EA. FACE
'P2M'	2	12	4-M1603S EA. FACE
'P3M'	2	3	4-M1605S EA. FACE
'P4M'	1	11	4-M1603S EA. FACE
CONSTRUCTION JOINT DOWELS			
NO. OF JOINTS	REBAR DOWELS EACH JOINT		
23	3 - M2501S		



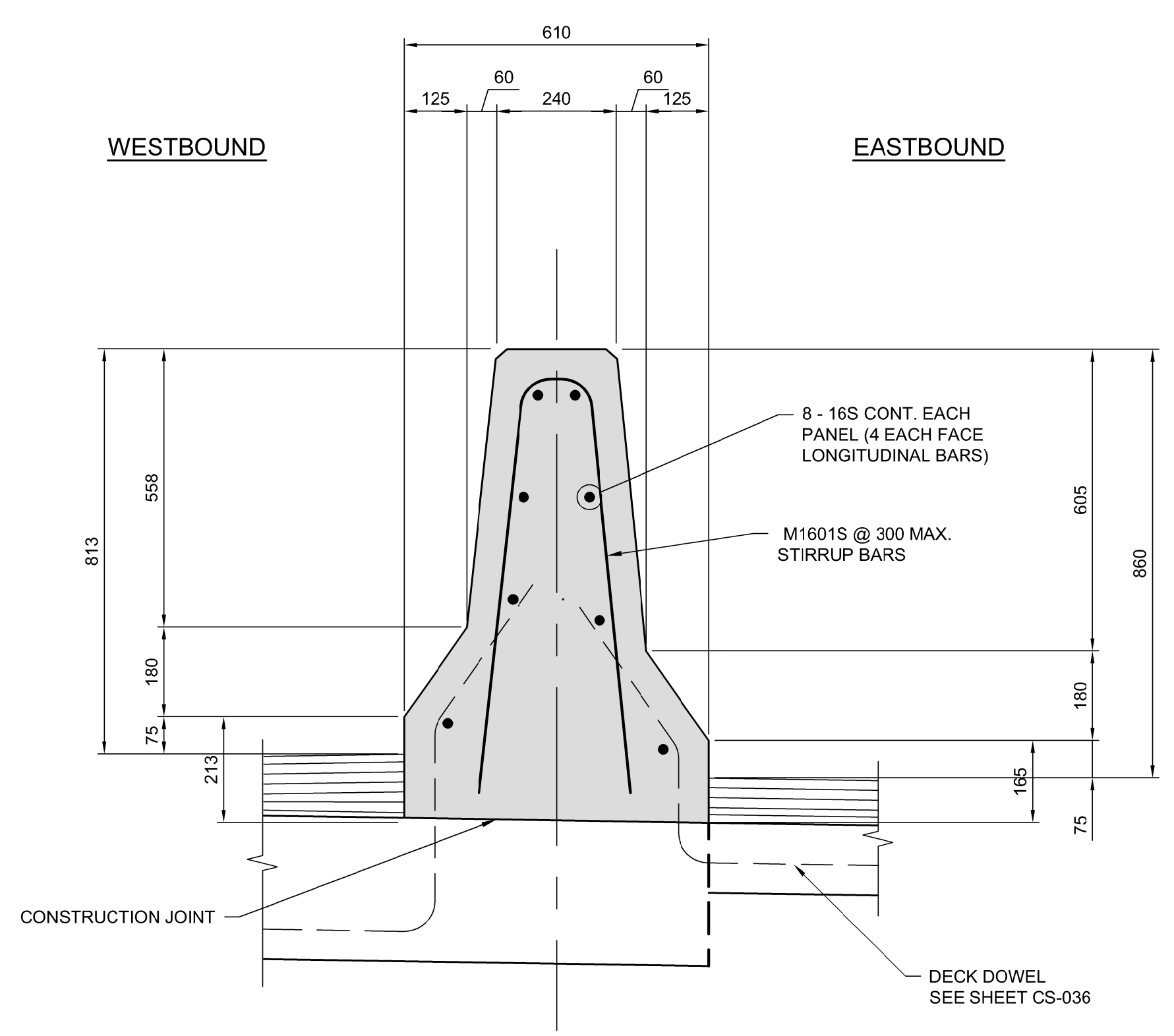
25 DIA. x 600 LONG S.S. (SMOOTH) DOWELS Mk. B2501S APPLY BOND BREAKER TO HALF OF EACH DOWEL

PLAN



TYPICAL CONSTRUCTION JOINT DETAIL FOR CONCRETE MEDIAN BARRIER

1:10



SECTION A

1:10
NOTE: TYPICAL MEDIAN BARRIER DETAIL

G:\CAD\175932\Drawings\Structural\BRIDGE-CON-CS-MEDIAN BARRIER.dwg

APEGM
Certificate of Authorization
Dillon Consulting Limited (MB)
No. 1789 Date: 2018/02/09

DESIGNED BY	DRA	CHECKED BY	SSR
DRAWN BY	NBG / DB	APPROVED BY	MBL
HOR. SCALE	AS SHOWN	RELEASED FOR CONSTRUCTION	
VERTICAL	AS SHOWN		
ISSUED FOR TENDER	18/02/09	DRA	
NO. REVISIONS	DATE	BY	DATE
	2018/02/09		

ENGINEER'S SEAL
PROVINCE OF MANITOBA
D.R.C. AMORIM
Member 33215
REGISTERED PROFESSIONAL ENGINEER
CONSULTANT PROJECT NUMBER
17-5932

THE CITY OF WINNIPEG
PUBLIC WORKS DEPARTMENT
Winnipeg
FERMOR AVENUE BRIDGE OVER SEINE RIVER
BRIDGE RE-HABILITATION, PEDESTRIAN-CYCLIST UNDERPASS STRUCTURE AND ROADWORKS FROM ST. ANNE'S ROAD TO ARCHIBALD STREET
CITY DRAWING NUMBER
B-118-2017-CS-042
SHEET 042 OF 100
CONSULTANT DRAWING NUMBER
CS - 042