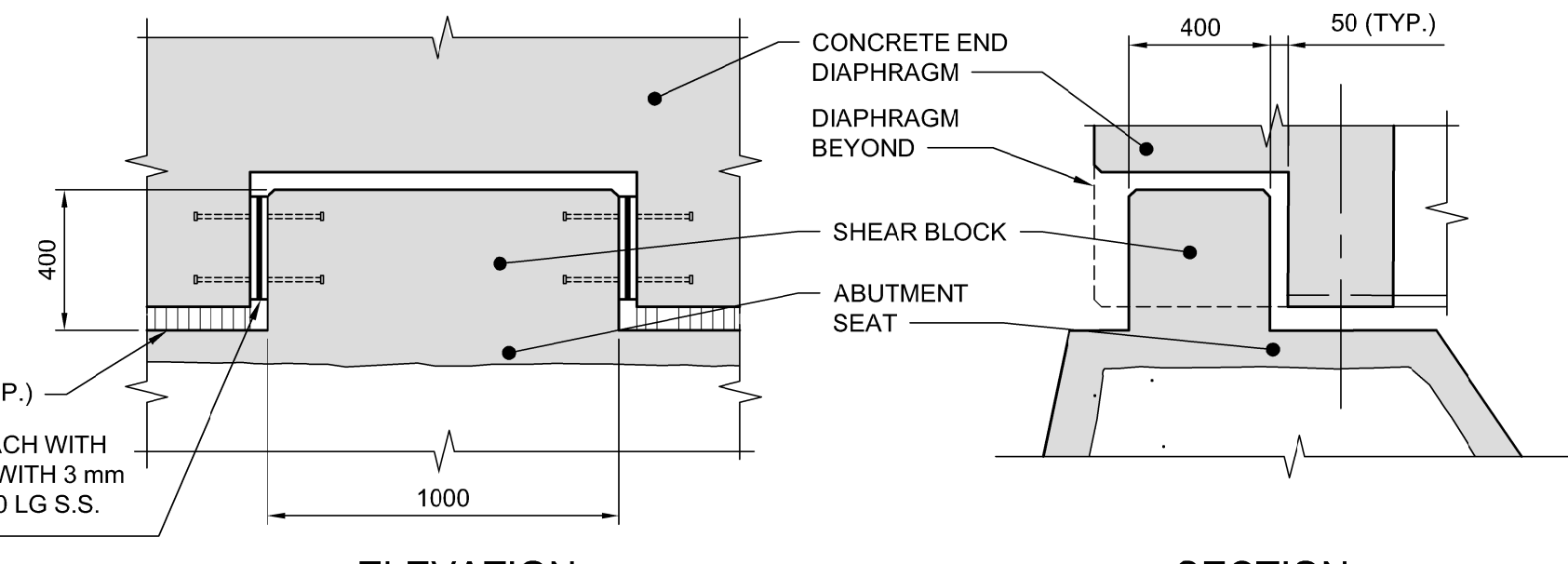
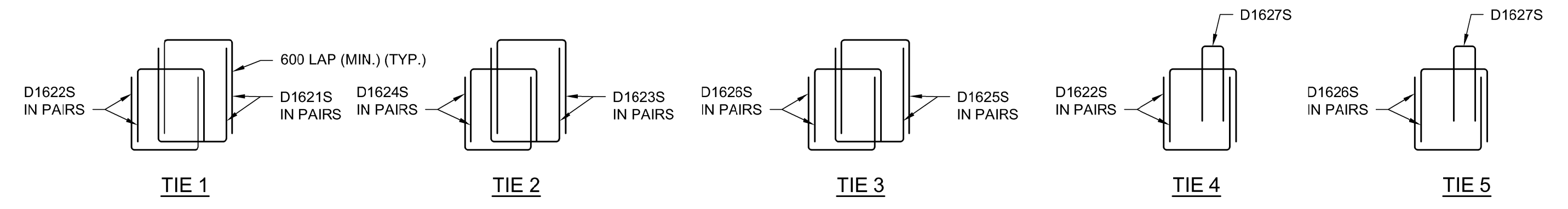


ELEVATION OF ABUTMENT DIAPHRAGM

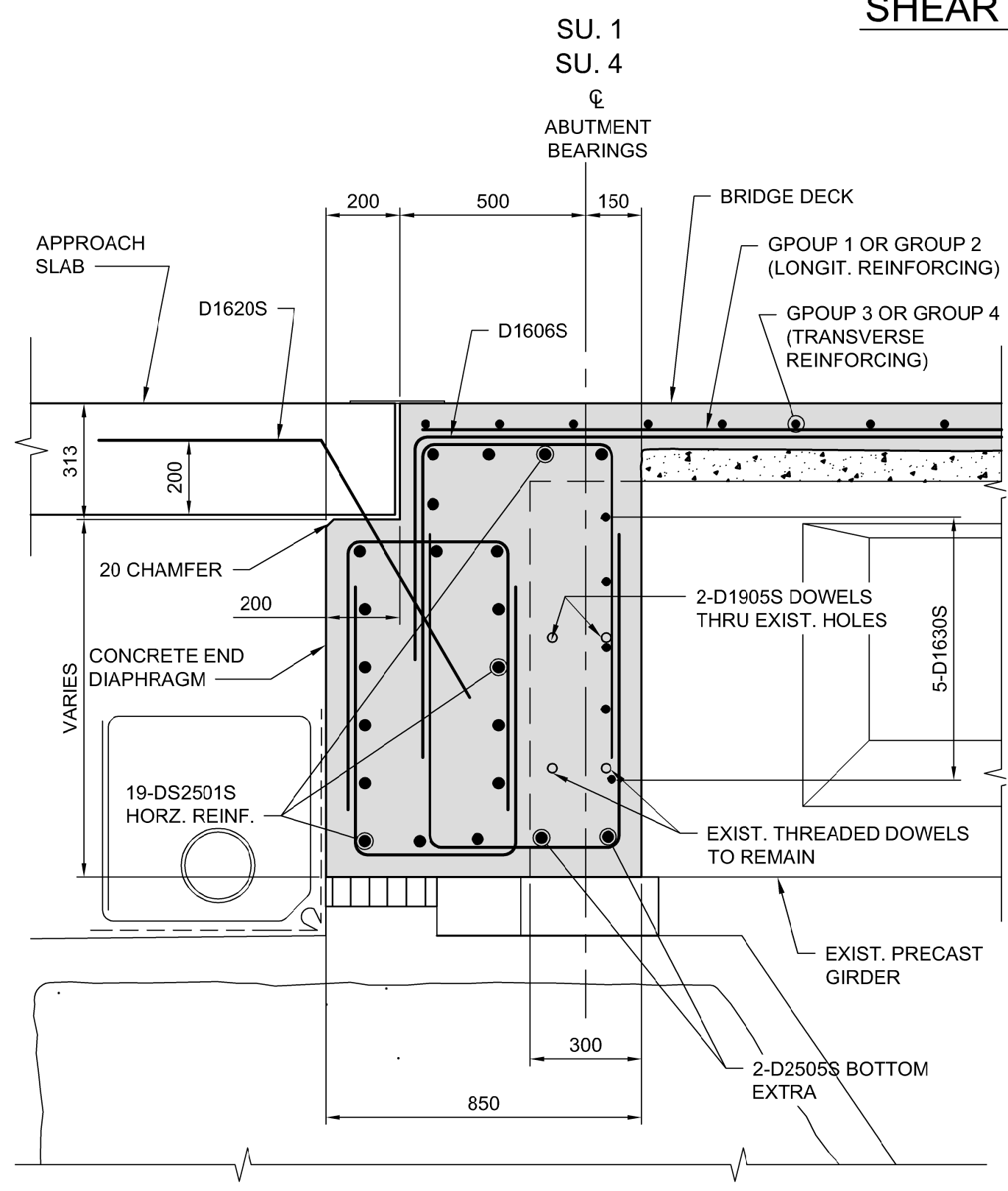
EAST ABUTMENT DIAPHRAGM - AS SHOWN
WEST ABUTMENT DIAPHRAGM - OPPOSITE HAND
DECK REINFORCING NOT SHOWN FOR CLARITY



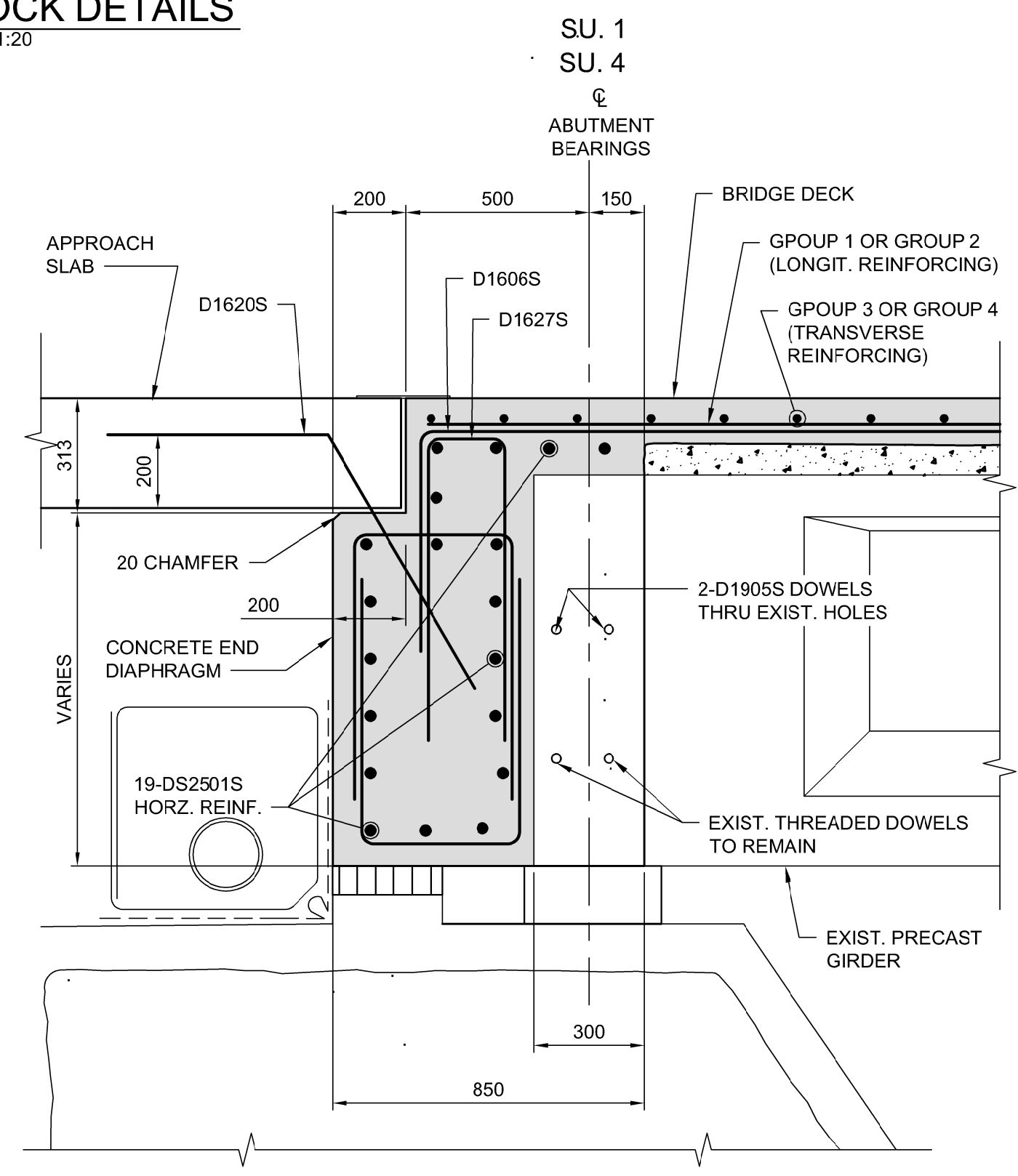
SHEAR BLOCK DETAILS



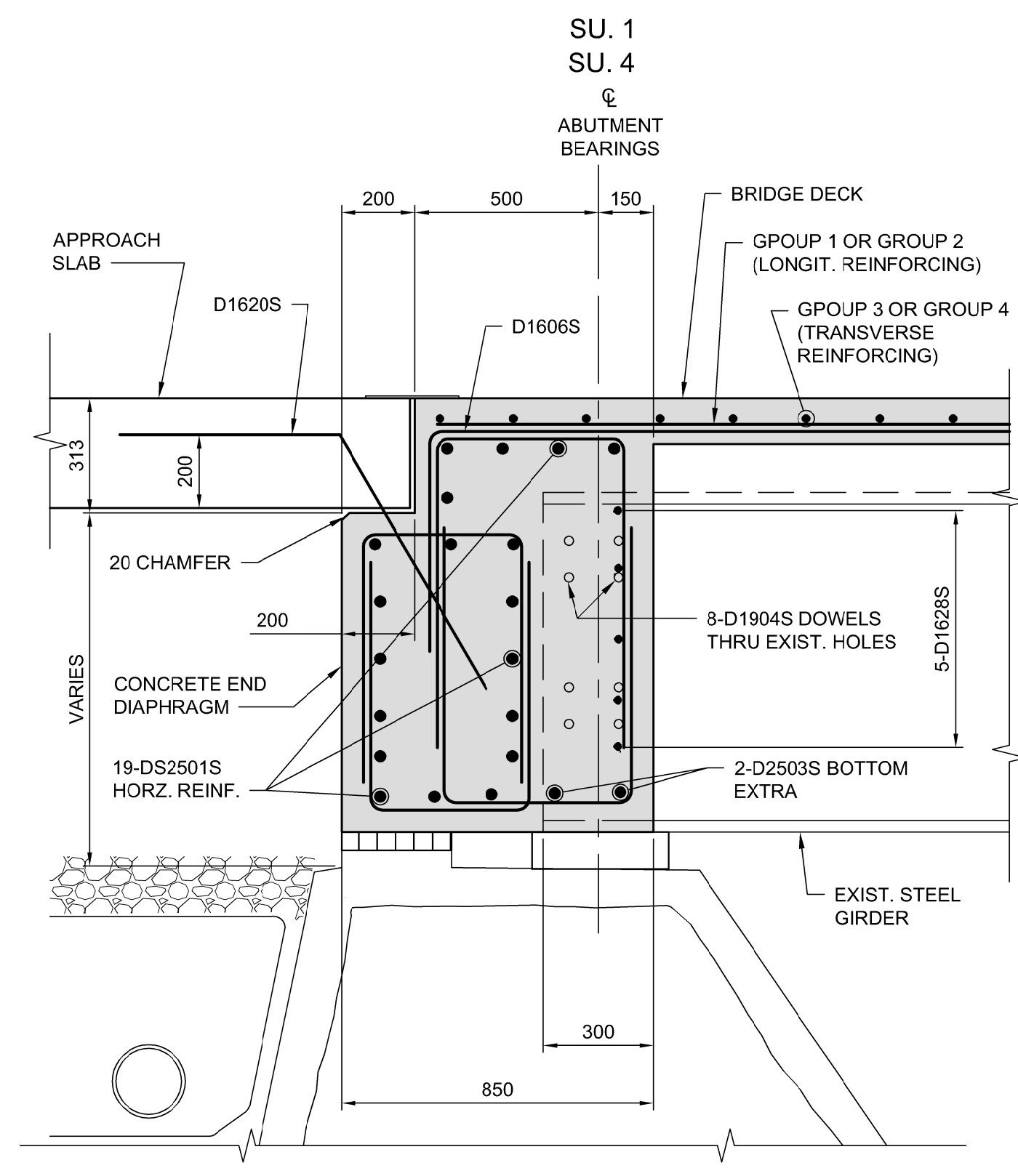
REINFORCING TIE GROUP ARRANGEMENT



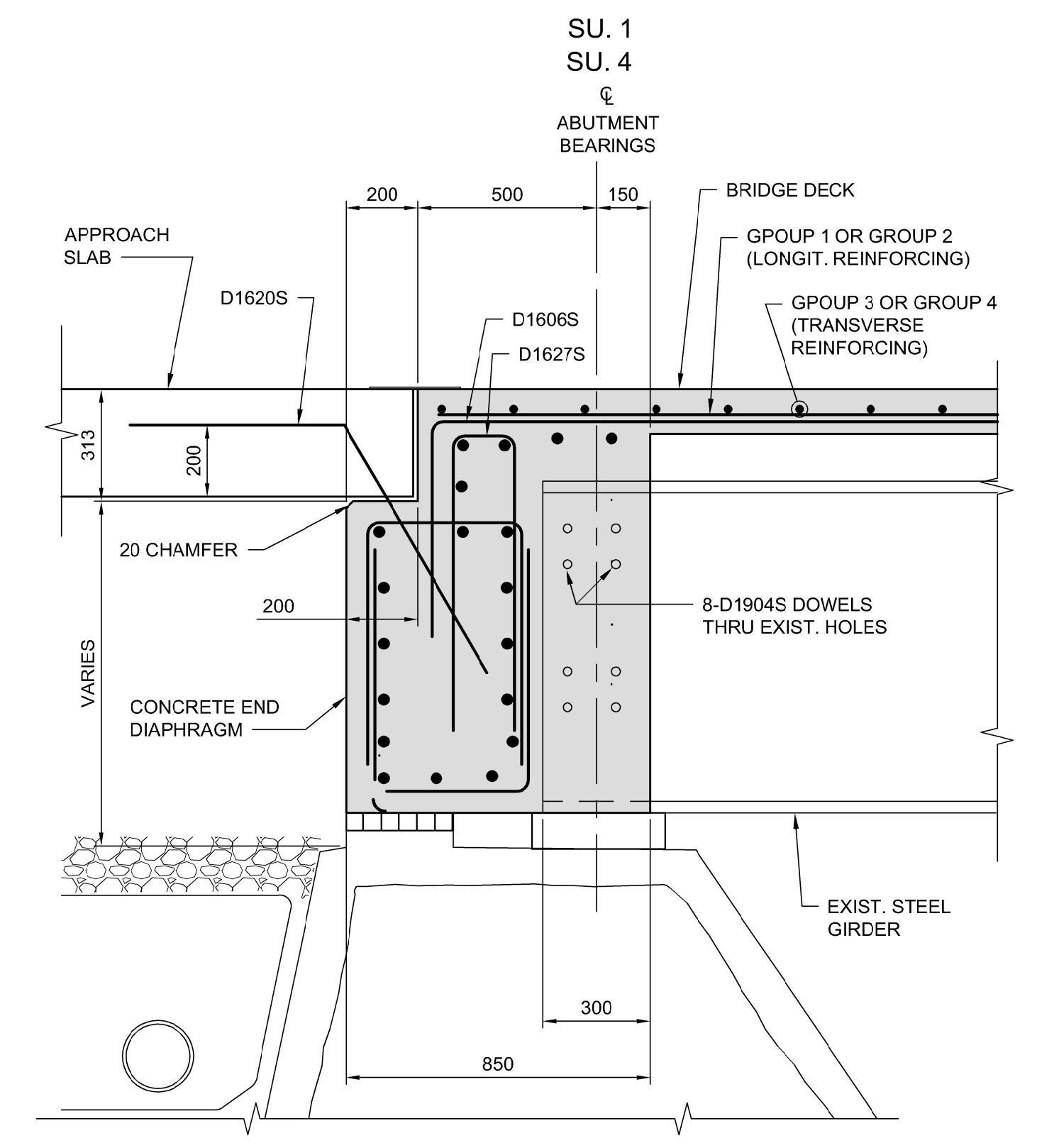
SECTION A
1:15



SECTION B
1:15



SECTION C
1:15



SECTION D
1:15

G:\CAD\175932\Drawings\Structural\BRIDGE-CON-CS-DECK_REINF_2.dwg

APEGM
Certificate of Authorization
Dillon Consulting Limited (MB)
No. 1789 Date: 2018/02/09

DESIGNED BY	MS	CHECKED BY	SSR
DRAWN BY	NBG	APPROVED BY	MBL
HOR. SCALE	AS SHOWN	RELEASED FOR CONSTRUCTION	
VERTICAL SCALE	AS SHOWN		
ISSUED FOR TENDER	18/02/09	DRA	
NO. REVISIONS	DATE	BY	DATE
0	2018/02/09		

ENGINEER'S SEAL
PROVINCE OF MANITOBA
D.R.C. AMORIM
Member 33215
REGISTERED PROFESSIONAL ENGINEER

THE CITY OF WINNIPEG
PUBLIC WORKS DEPARTMENT
Winnipeg
FERMOR AVENUE BRIDGE OVER SEINE RIVER
BRIDGE RE-ABILITATION, PEDESTRIAN-CYCLIST UNDERPASS STRUCTURE
AND ROADWORKS FROM ST. ANNE'S ROAD TO ARCHIBALD STREET
REHABILITATED BRIDGE DECK
REINFORCING DETAILS 2 OF 2

CITY DRAWING NUMBER
B-118-2017-CS-037
SHEET 037 OF 100
CONSULTANT DRAWING NUMBER
CS-037

CONSULTANT PROJECT NUMBER
17-5932