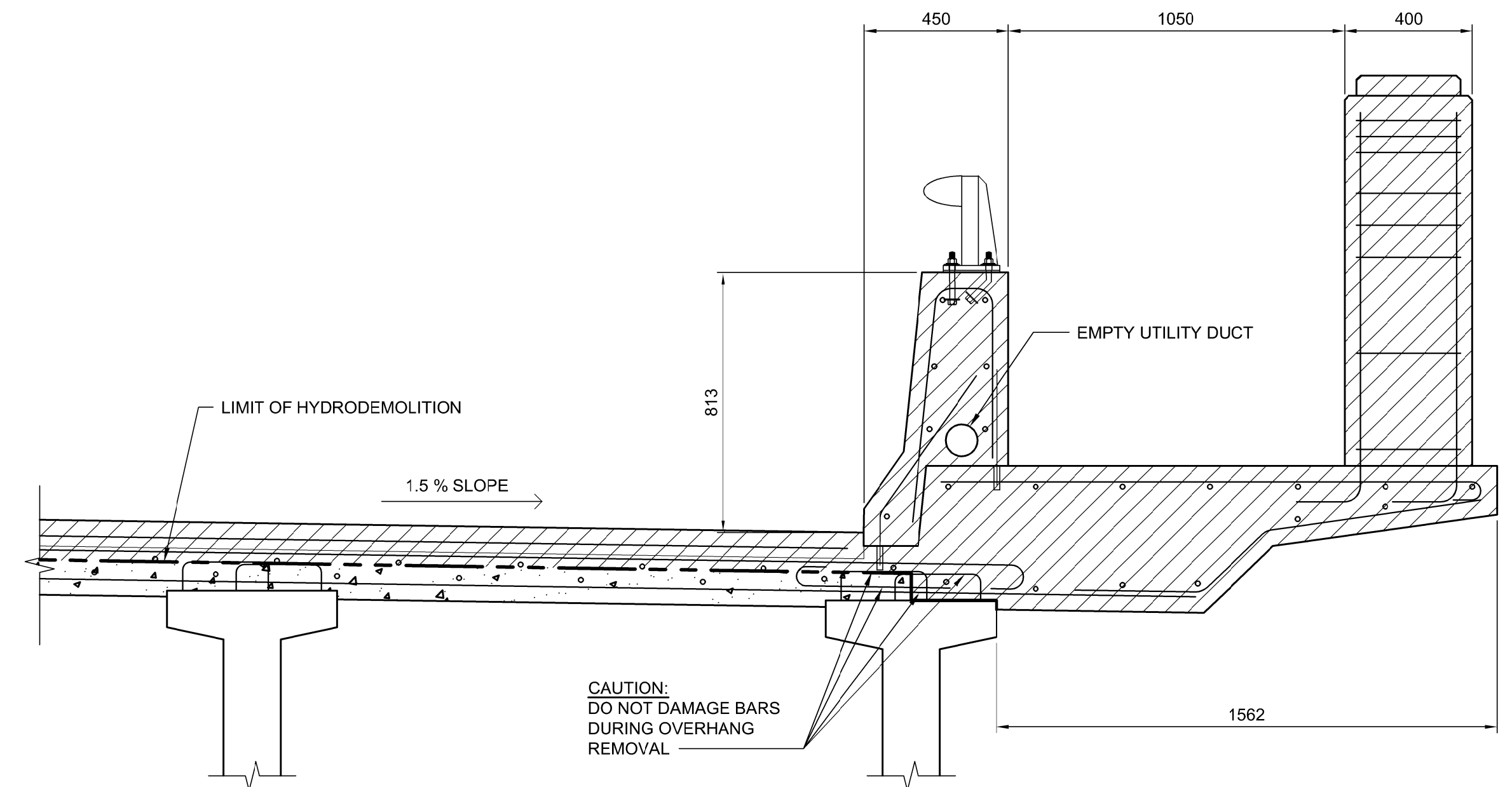
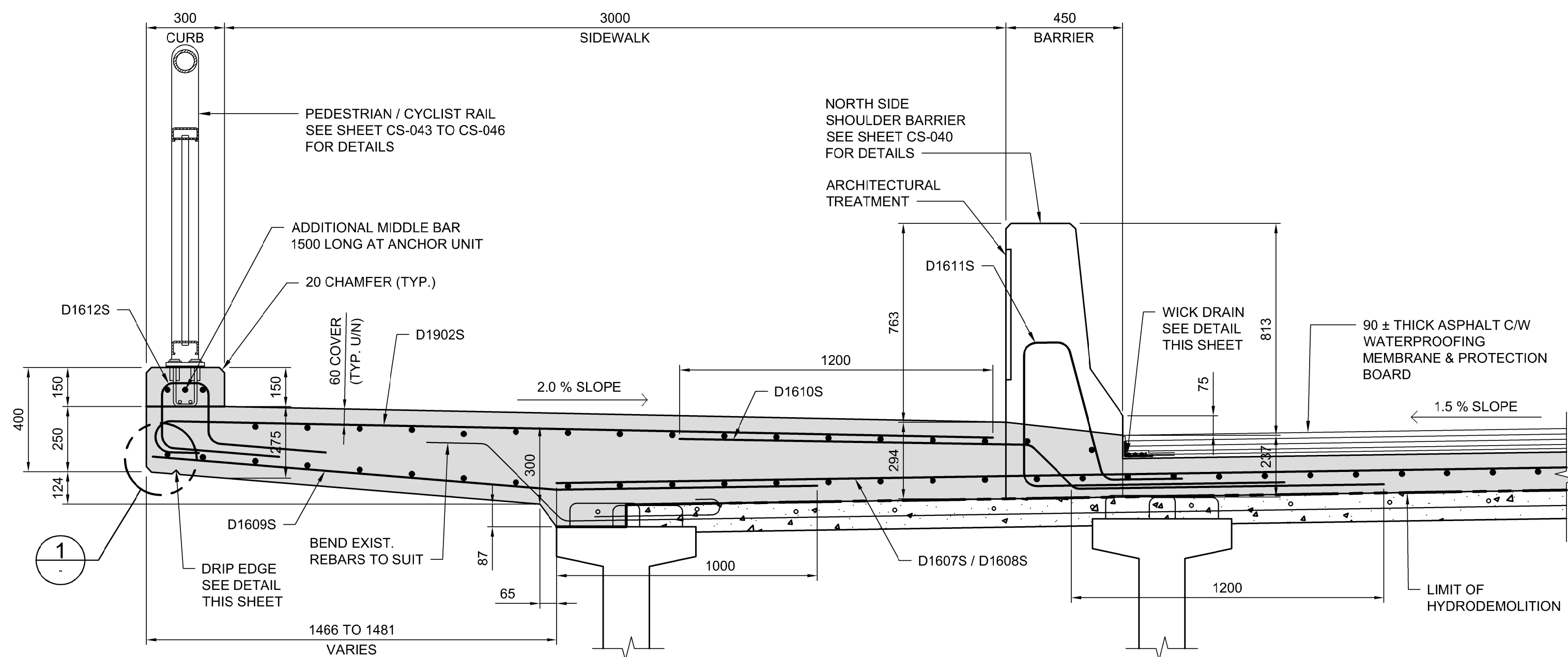


EXISTING



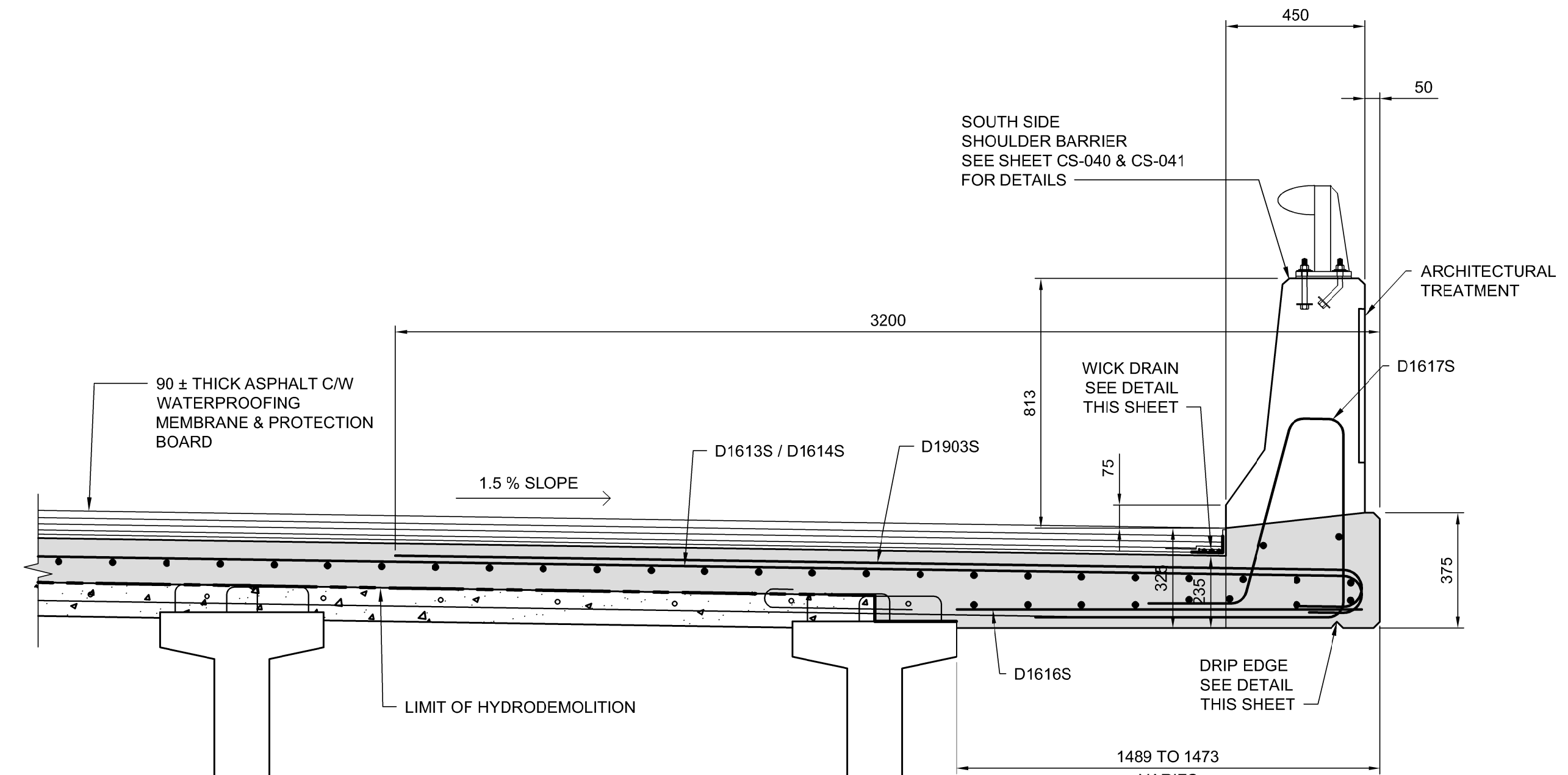
EXISTING



PROPOSED

1 DETAIL
1:15

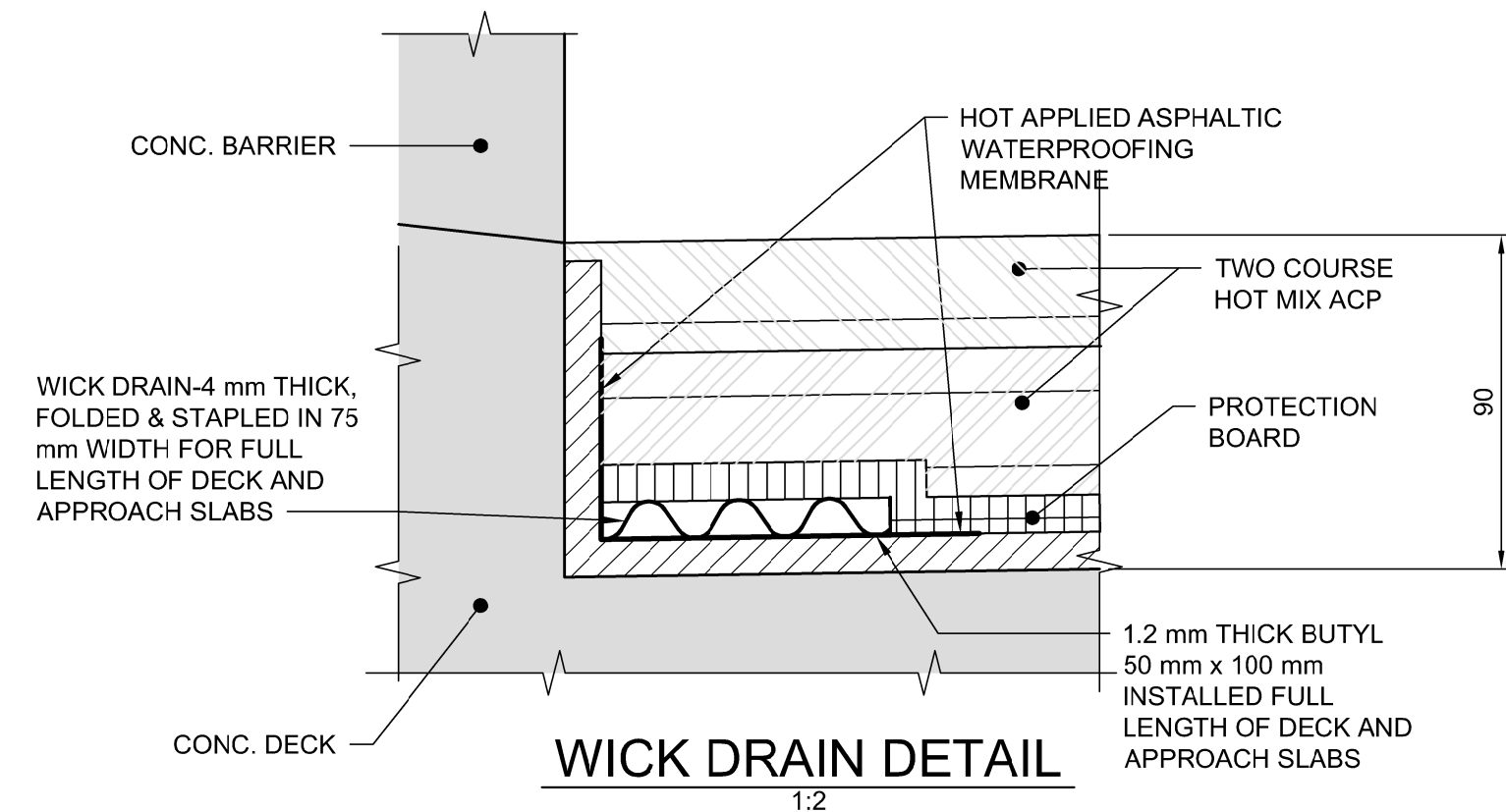
STAGE 1



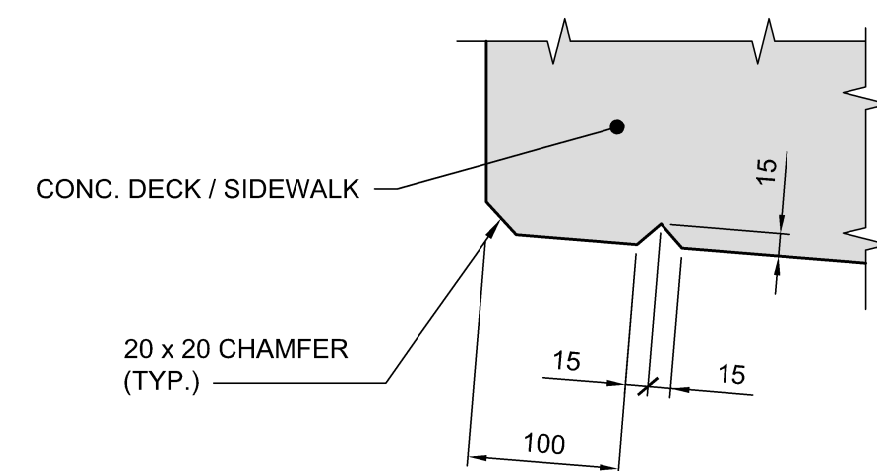
PROPOSED

2 DETAIL
1:15

STAGE 2



WICK DRAIN DETAIL
1:2



1 TYPICAL DRIP EDGE DETAIL
1:5

APEGM
Certificate of Authorization
Dillon Consulting Limited (MB)
No. 1789 Date: 2018/02/09

DESIGNED BY	MS	CHECKED BY	SSR
DRAWN BY	NBG	APPROVED BY	MBL
HOR. SCALE	AS SHOWN	RELEASED FOR CONSTRUCTION	
VERTICAL	AS SHOWN		
ISSUED FOR TENDER	18/02/09	DRA	
NO. REVISIONS	DATE	BY	DATE
			2018/02/09

DILLON CONSULTING	
DESIGNED BY	MS
CHECKED BY	SSR
DRAWN BY	NBG
APPROVED BY	MBL
HOR. SCALE	AS SHOWN
VERTICAL	AS SHOWN
ISSUED FOR TENDER	18/02/09
DRA	
DATE	2018/02/09
DATE	

ENGINEER'S SEAL
PROVINCE OF MANITOBA
D.R.C. AMORIM
Member 33215
REGISTERED PROFESSIONAL ENGINEER
CONSULTANT PROJECT NUMBER
17-5932

THE CITY OF WINNIPEG
PUBLIC WORKS DEPARTMENT
Winnipeg
FERMOR AVENUE BRIDGE OVER SEINE RIVER
BRIDGE RE-HABILITATION, PEDESTRIAN-CYCLIST UNDERPASS STRUCTURE AND ROADWORKS FROM ST. ANNE'S ROAD TO ARCHIBALD STREET
CITY DRAWING NUMBER B-118-2017-CS-035
SHEET 035 OF 100
CONSULTANT DRAWING NUMBER CS-035
EXISTING AND REHABILITATED BRIDGE DECK DETAILS 3 OF 3

G:\CAD\175932\Drawings\Structural\BRIDGE-CON-CS-REHABILITATED BRIDGE DECK 1.dwg