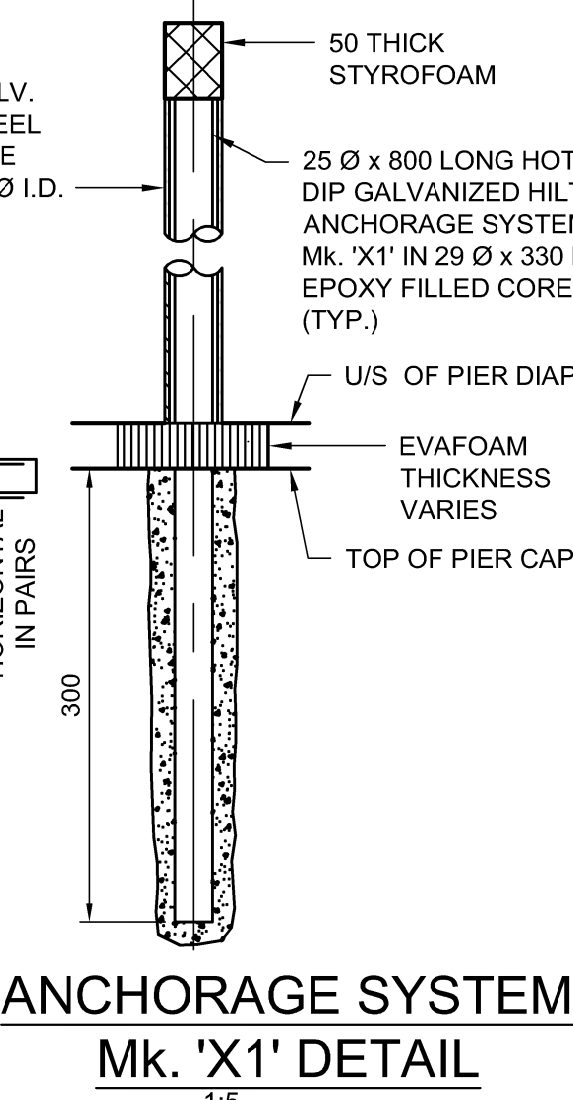
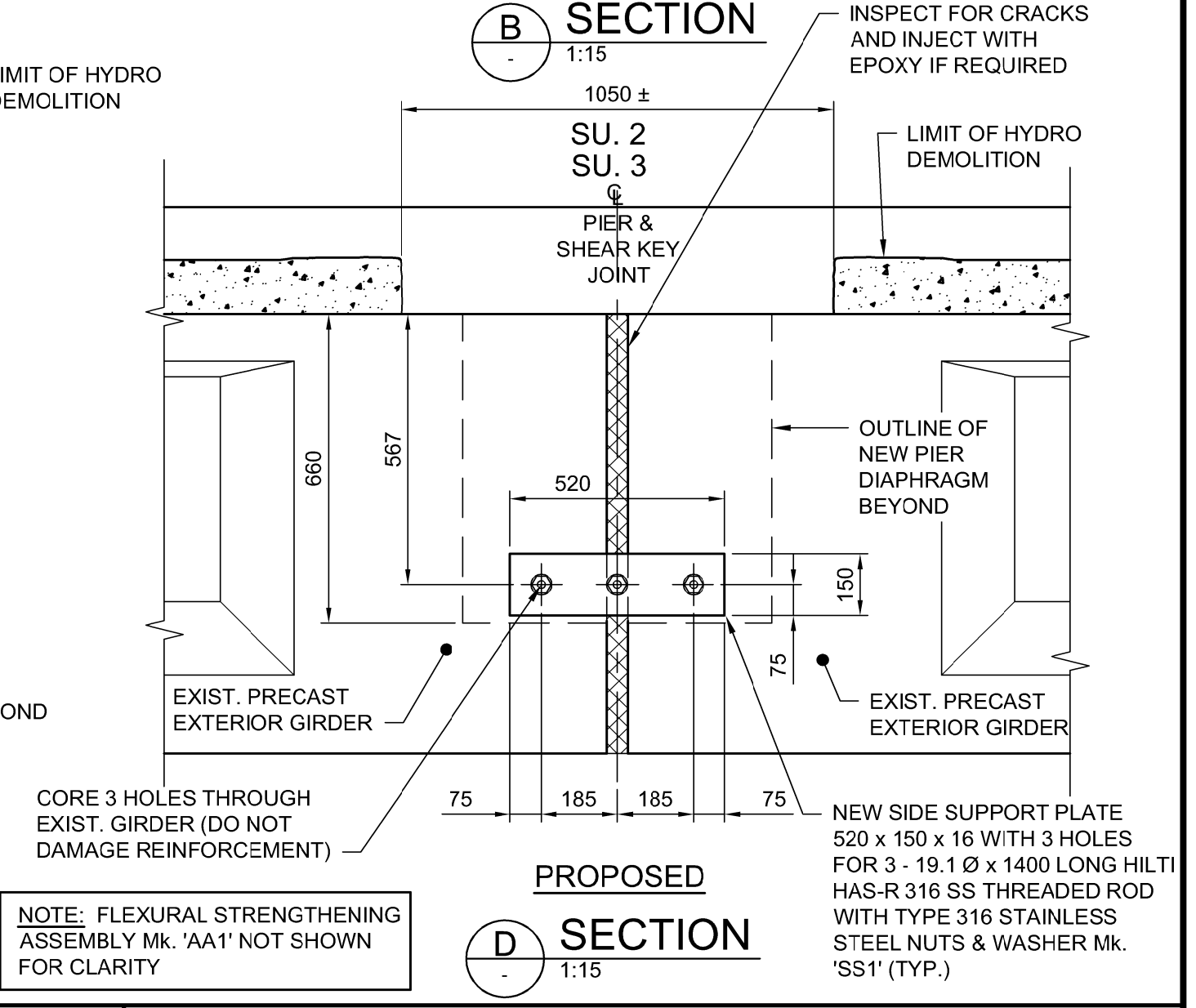
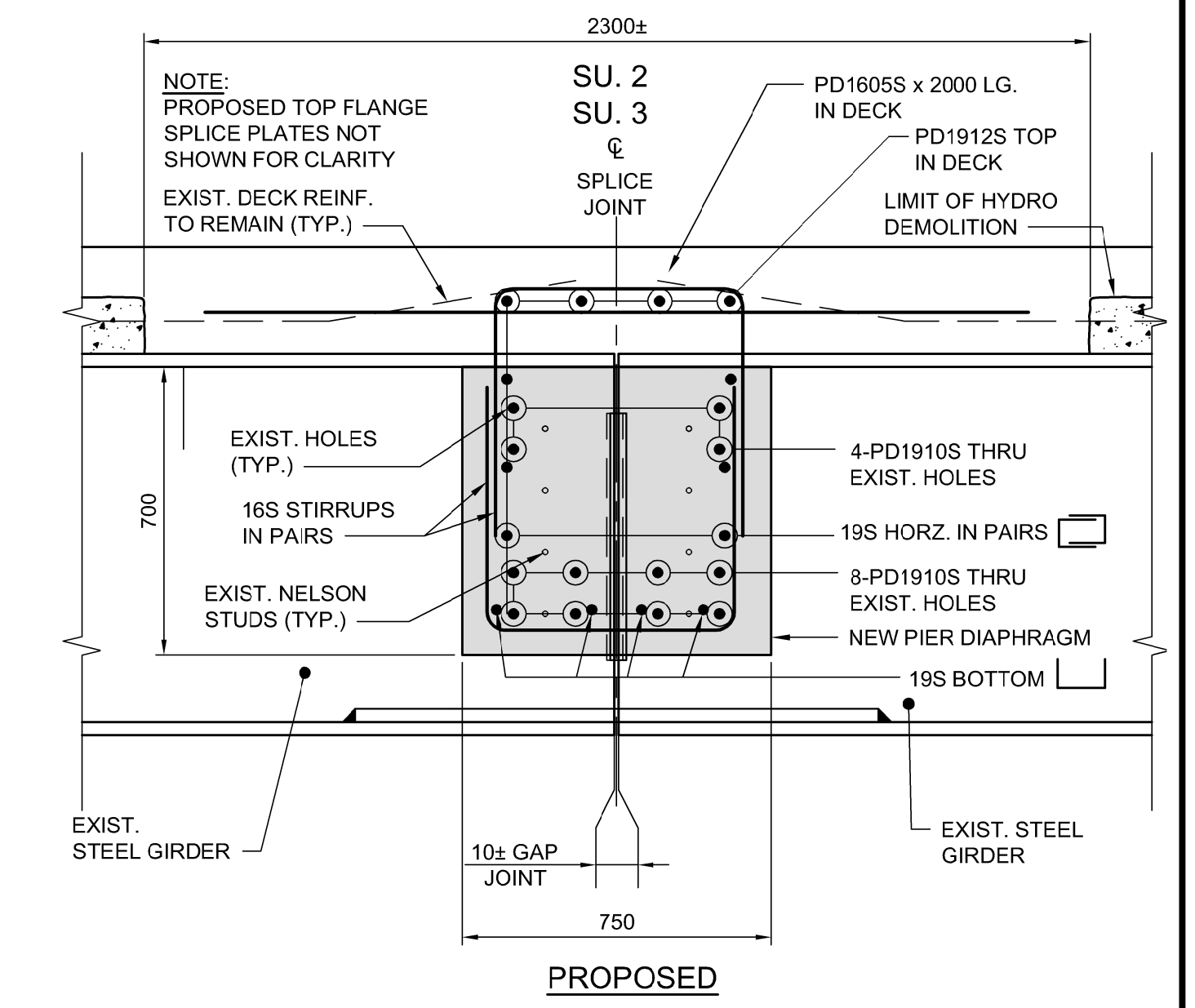
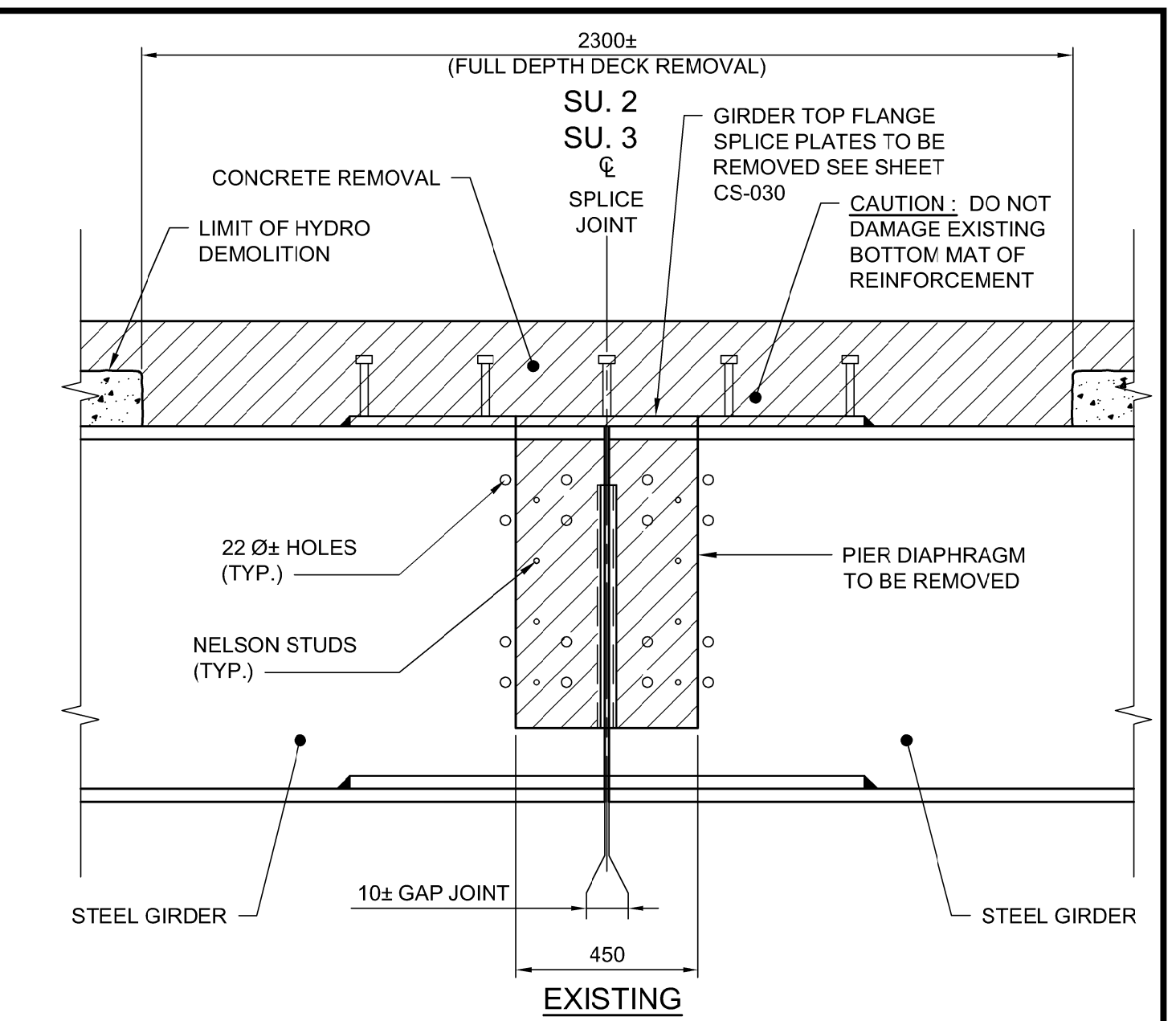
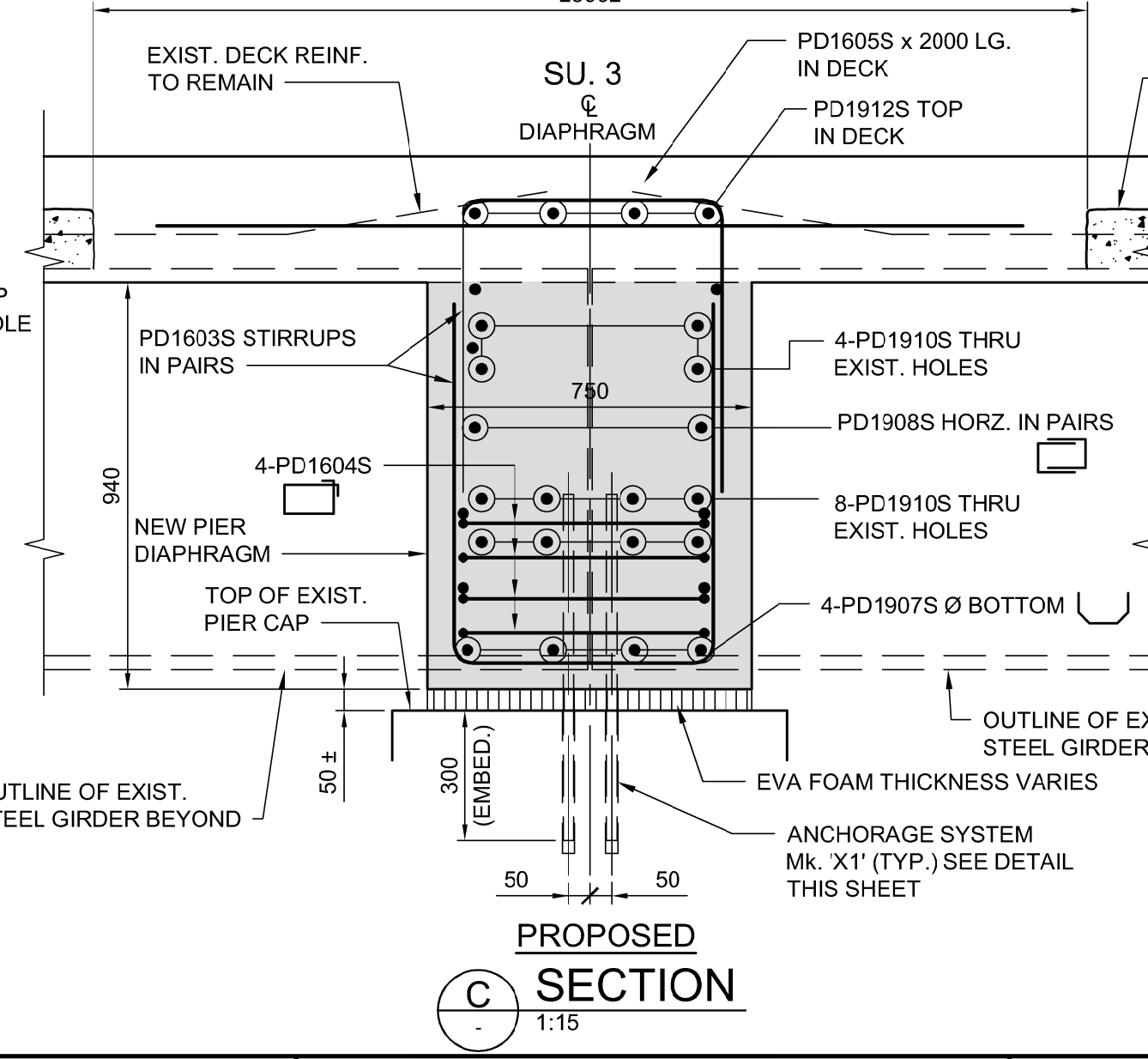
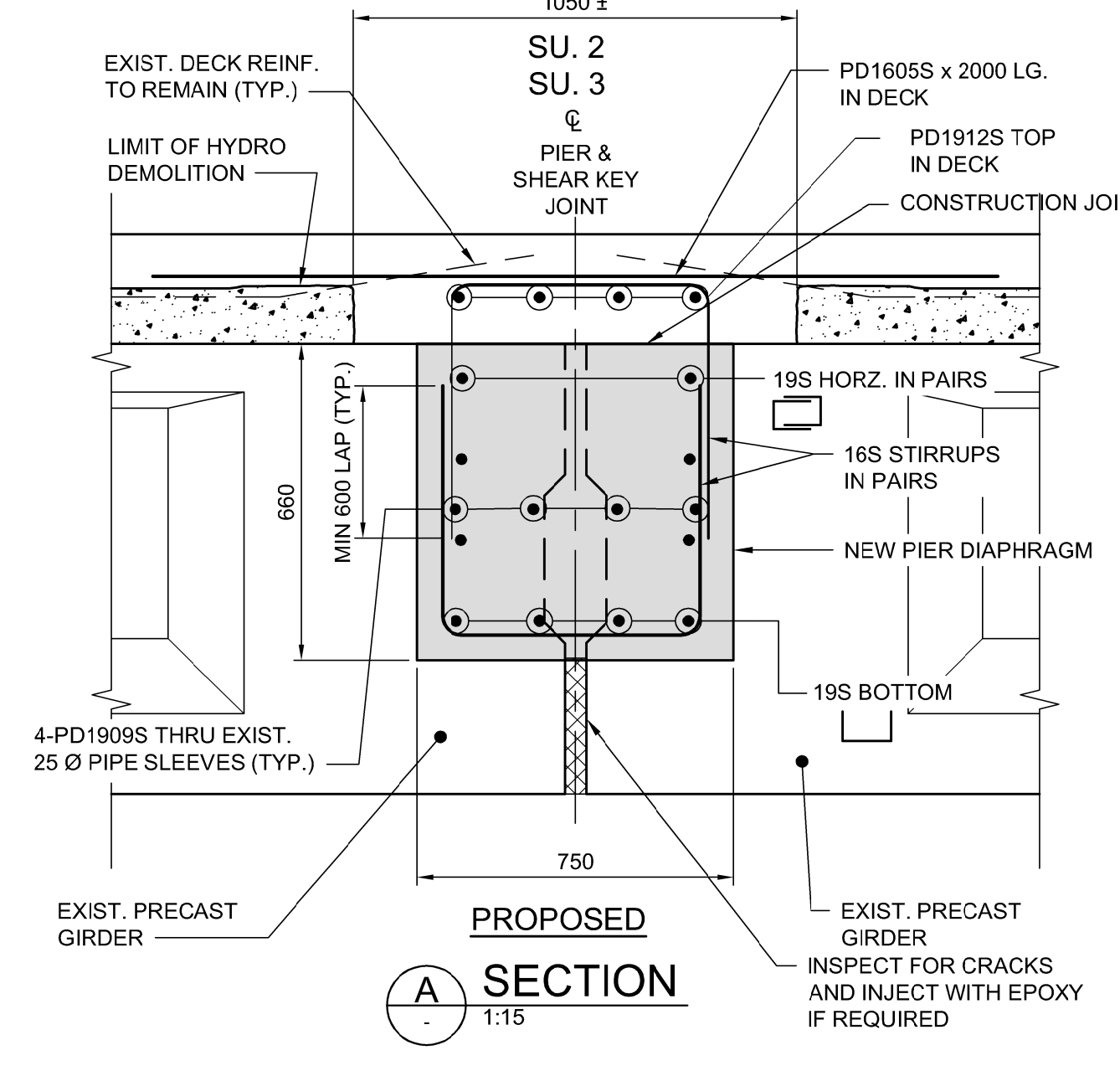
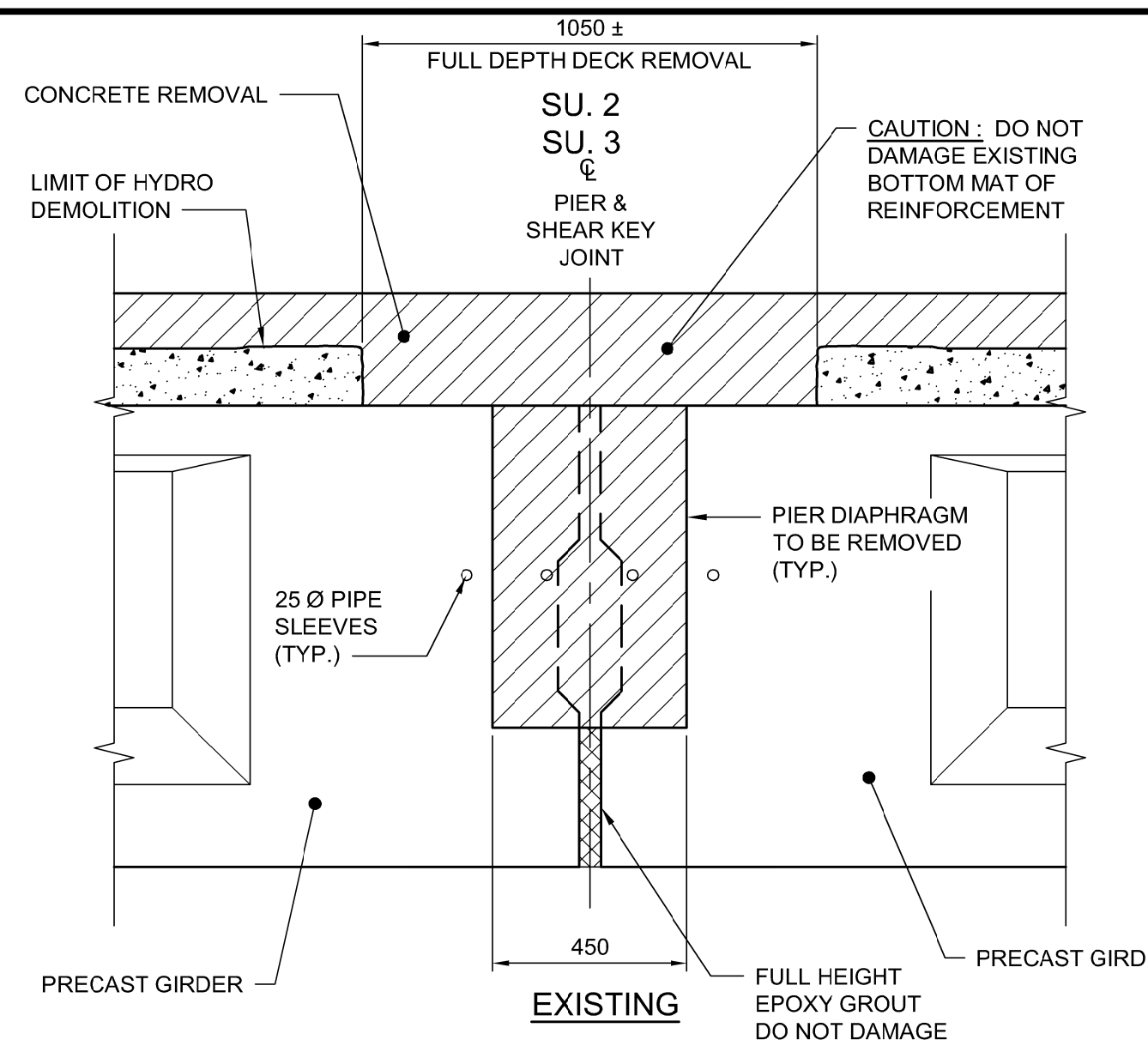


REINFORCING ARRANGEMENT
1:15

DIAPHRAGM REINFORCEMENT					
Mk. NO.	QTY.	BOTTOM	HORIZONTAL	STIRRUPS	EXTRA
'PD1'	8	4-PD1901S	3-PD19C2S IN PAIRS	8-PD1631S IN PAIRS	
'PD2'	4	4-PD1903S	3-PD19C4S IN PAIRS	7-PD1631S IN PAIRS	
'PD3'	8	4-PD1905S	3-PD19C6S IN PAIRS	11-PD1602S IN PAIRS	
'PD4'	4	4-PD1907S	5-PD19C8S IN PAIRS	9-PD1633S IN PAIRS	4-PD1604S



APEGM
Certificate of Authorization
Dillon Consulting Limited (MB)
No. 1789 Date: 2018/02/09

DILLON CONSULTING

DESIGNED BY	MS	CHECKED BY	SSR
DRAWN BY	NBG	APPROVED BY	MBL
HOR. SCALE	AS SHOWN	RELEASED FOR CONSTRUCTION	
VERTICAL	AS SHOWN		
ISSUED FOR TENDER	18/02/09	DRA	
NO. REVISIONS	DATE	BY	DATE

ENGINEER'S SEAL
PROVINCE OF MANITOBA
D.R.C. AMORIM
Member 33215
REGISTERED PROFESSIONAL ENGINEER

THE CITY OF WINNIPEG
PUBLIC WORKS DEPARTMENT

Winnipeg

FERMOR AVENUE BRIDGE OVER SEINE RIVER
BRIDGE RE-ABILITATION, PEDESTRIAN-CYCLIST UNDERPASS STRUCTURE AND ROADWORKS FROM ST. ANNE'S ROAD TO ARCHIBALD STREET

CITY DRAWING NUMBER: B-118-2017-CS-032
SHEET OF 100
CONSULTANT DRAWING NUMBER: CS-032

EXISTING PIER DIAPHRAGM REPLACEMENT DETAILS

CONSULTANT PROJECT NUMBER: 17-5932